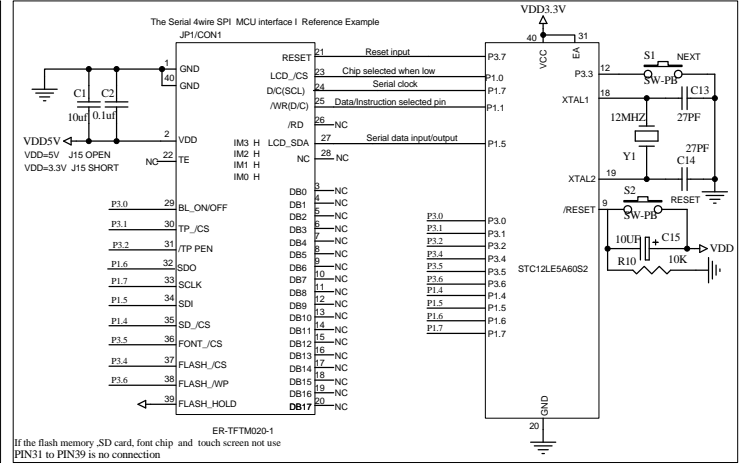
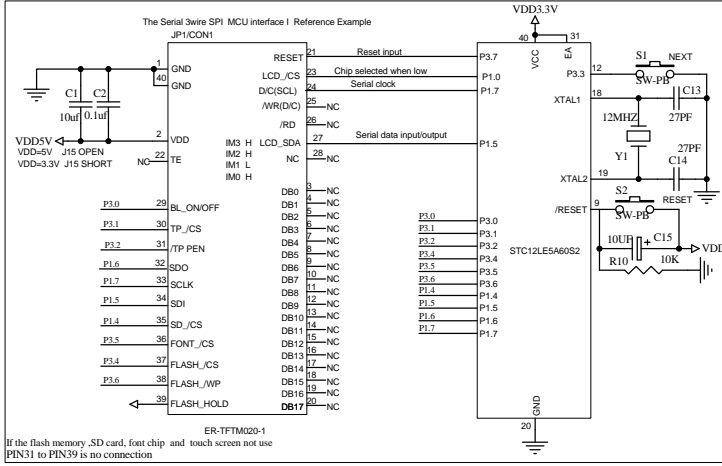
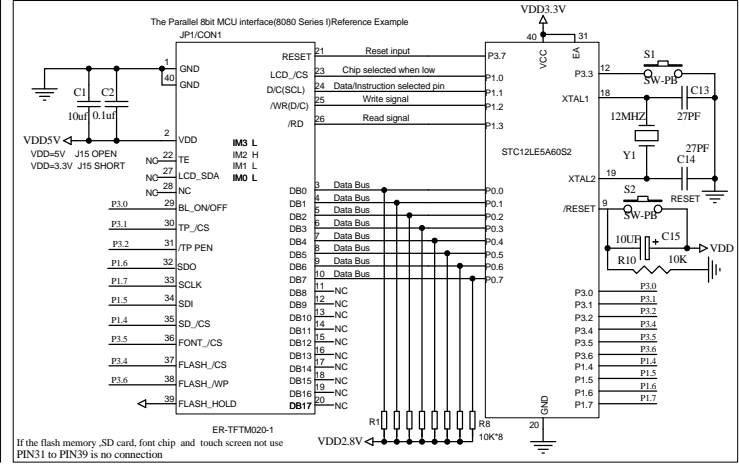
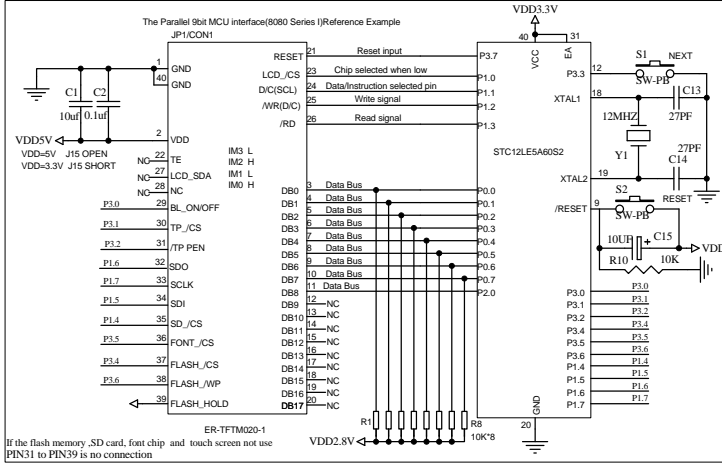
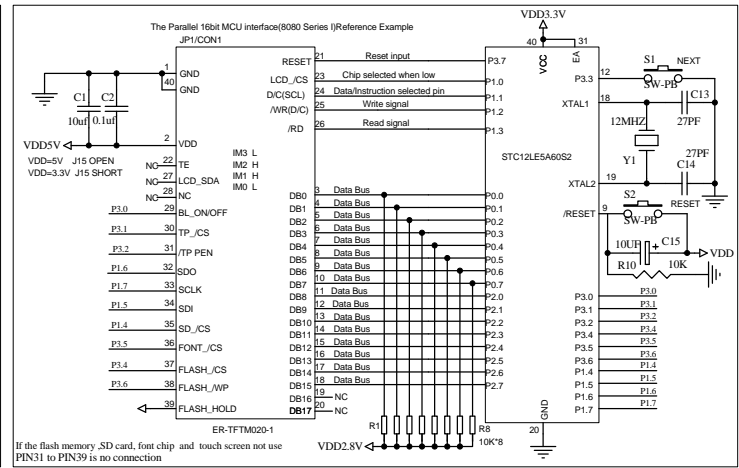
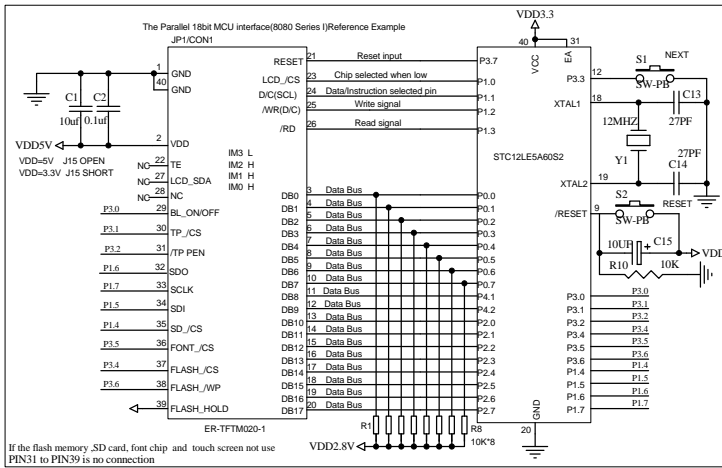
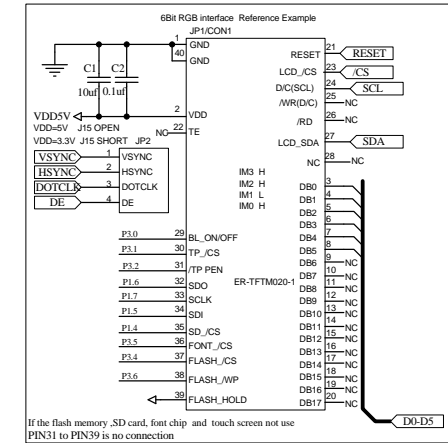
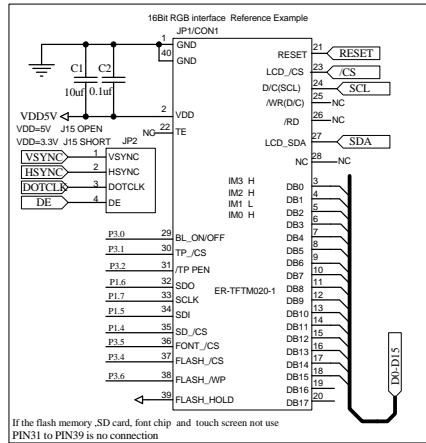
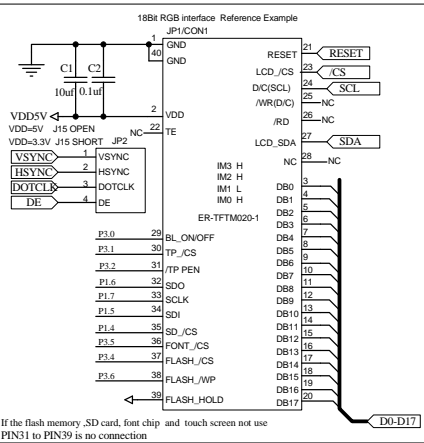


Interfacing TFT LCD Module ER-TFTM020-1 to MCU STC12LE5A60S2



RGB Interfacing



EASTRISING TECHNOLOGY CO.,LTD.

REV.	DESCRIPTION OF MODIFY	MODIFY BY	DATE	Size	Number	Revision	A0
A0	1 ST DESIGN	JIM	May-24-2019	A			
A1				Date:	May-24-2019	Sheet of	1
A2				File		Drawn By	Javen