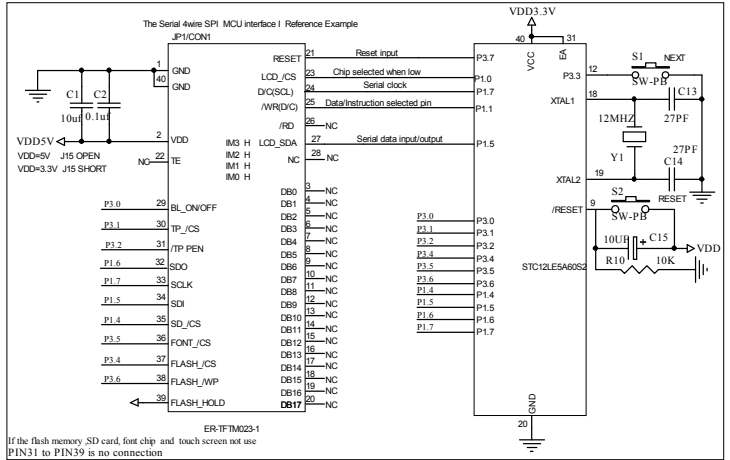
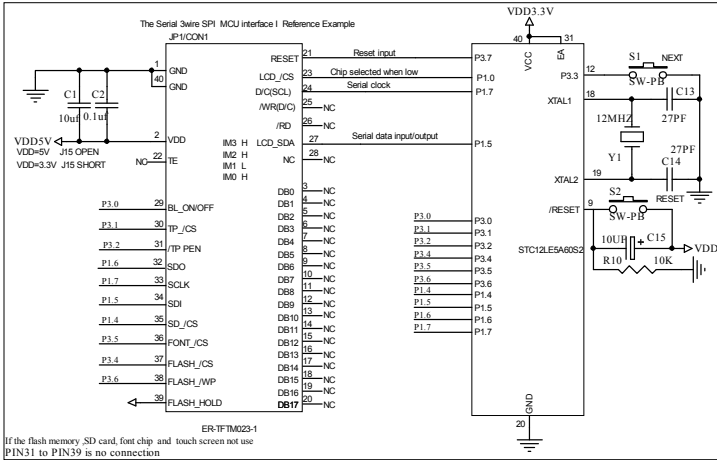
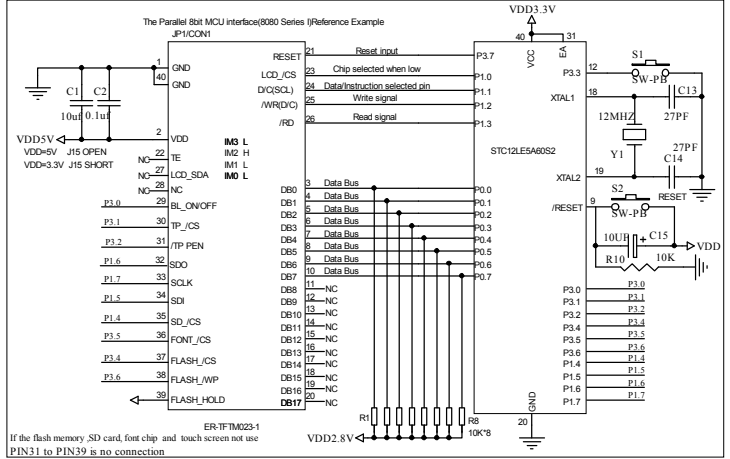
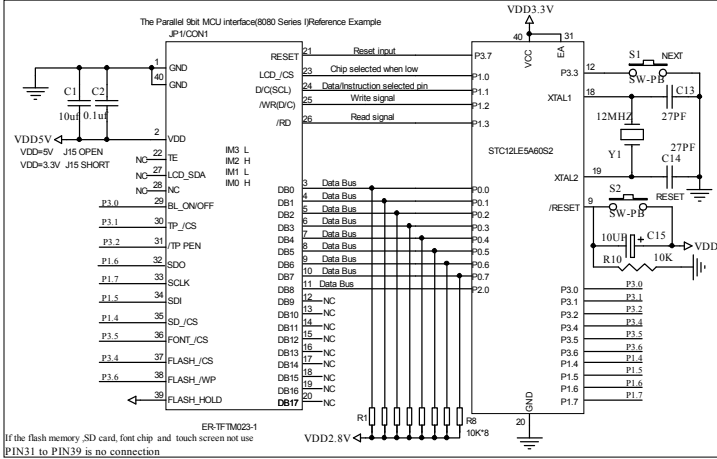
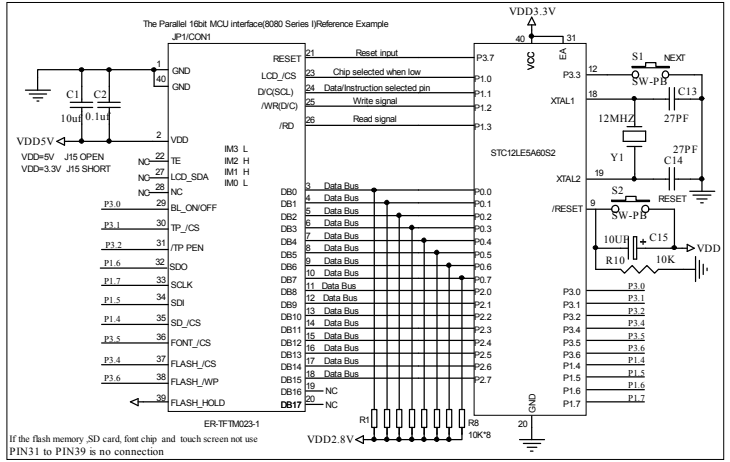
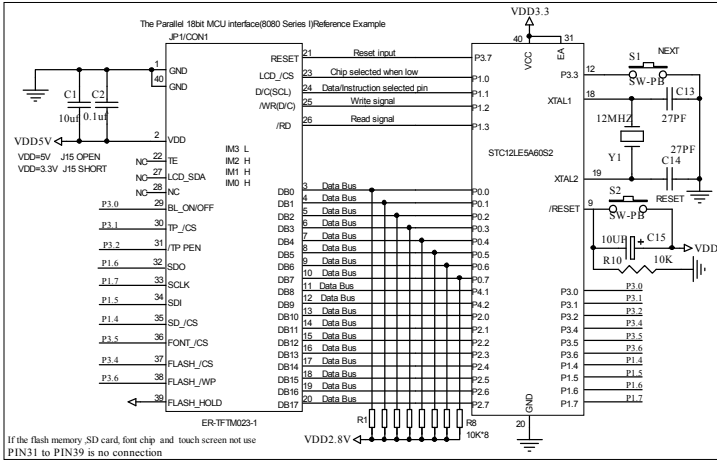


Interfacing ER-TFTM023-1 with Resistive Touch to MCU STC12LE5A60S2



RGB Interfacing LCD Modules to the LCD Controller or Built-in LCD controller MCU

