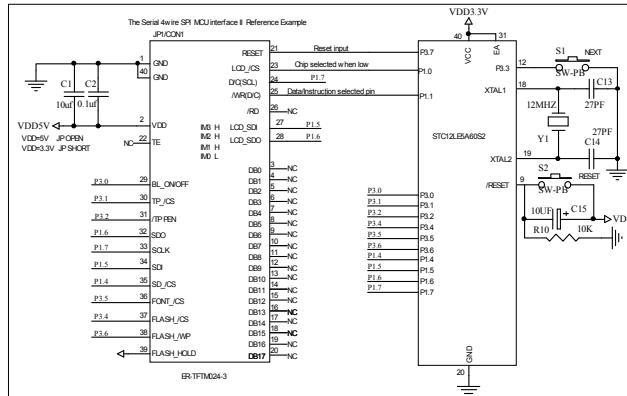
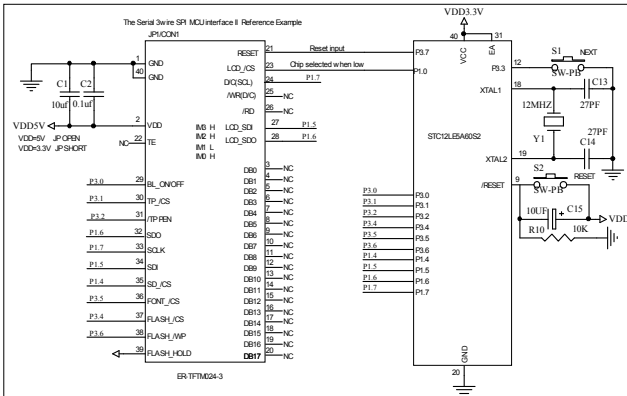
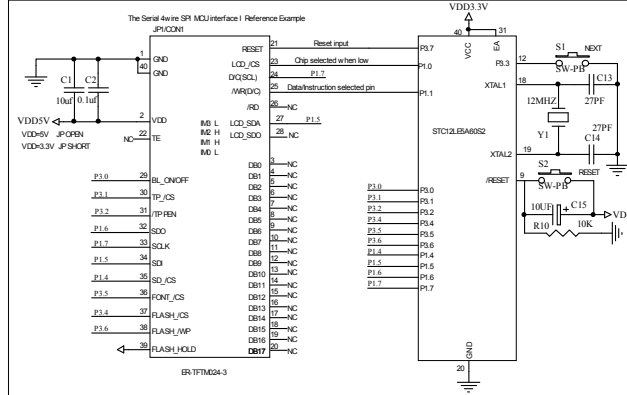
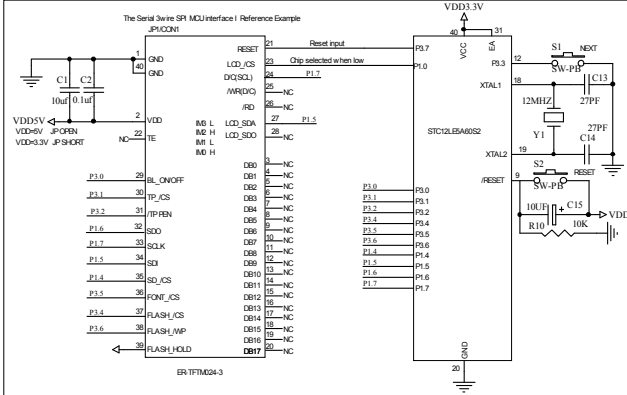
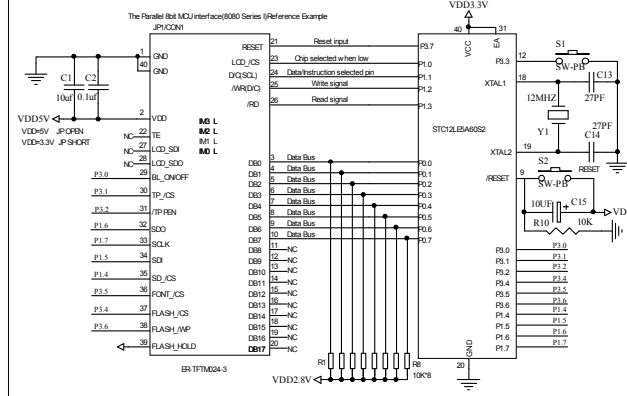
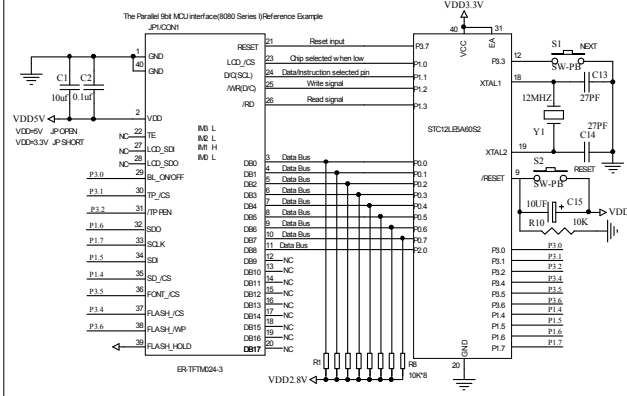
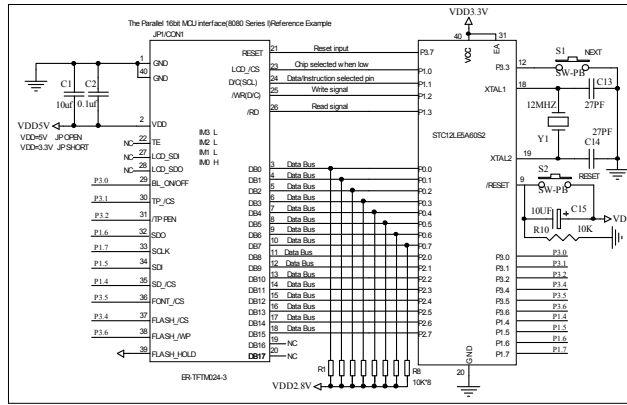
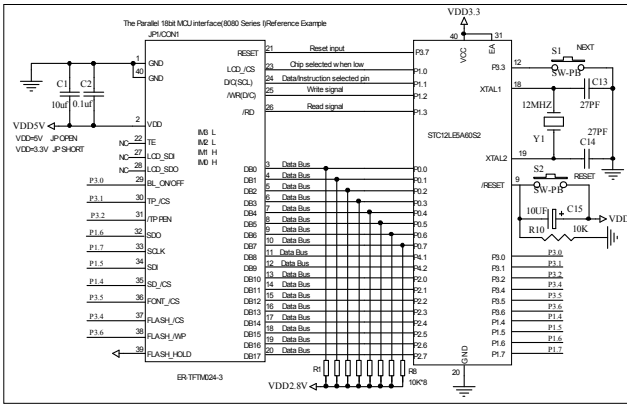
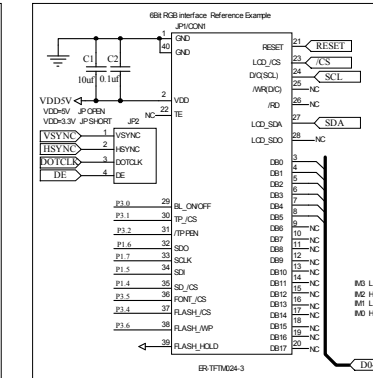
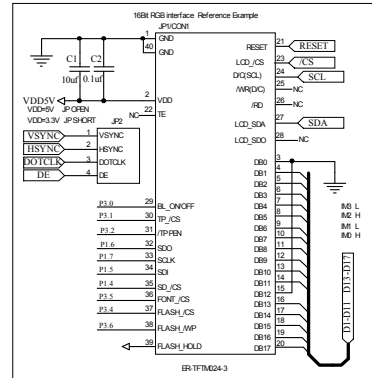
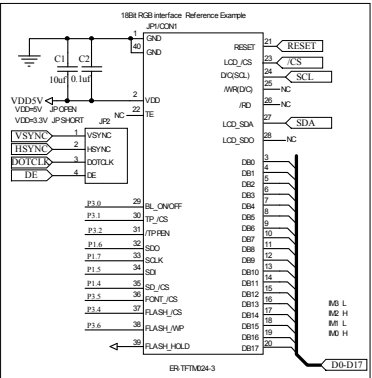


Interfacing TFT LCD Module ER-TFTM024-3 to MCU STC12LE5A60S2



RGB Interfacing LCD Modules to the LCD Controller or Built-in LCD controller MCU



EastRising Technology Co., Ltd

REV.	DESCRIPTION OF MODIFY	MODIFY BY	DATE	Size	File	Sheet of	Revision
A0	1ST DESIGN	JM	2014.07.25	A	ER-TFTM024-3 Interfacing Doc	1	A0
A1					25_JUL_2014	1	
A2						1	