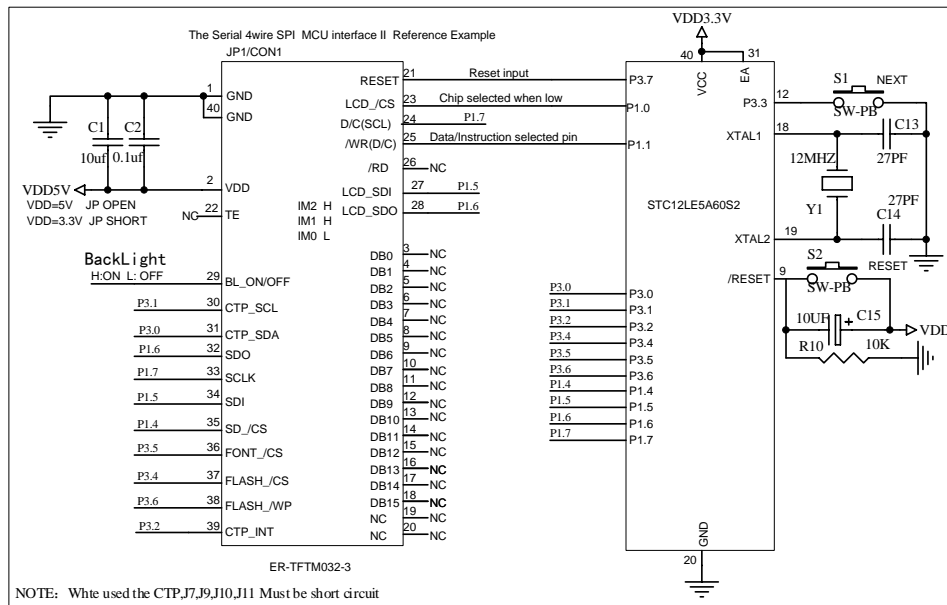
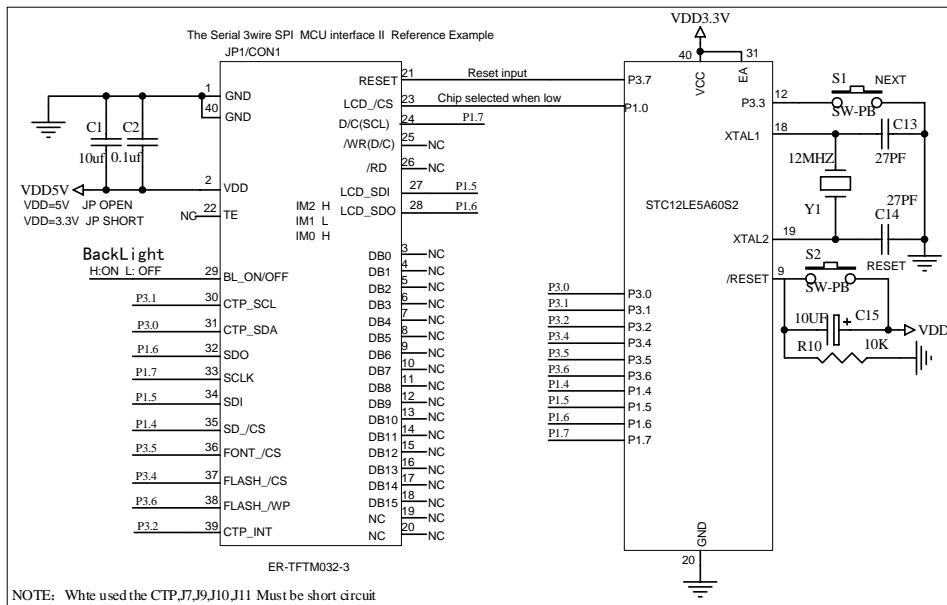
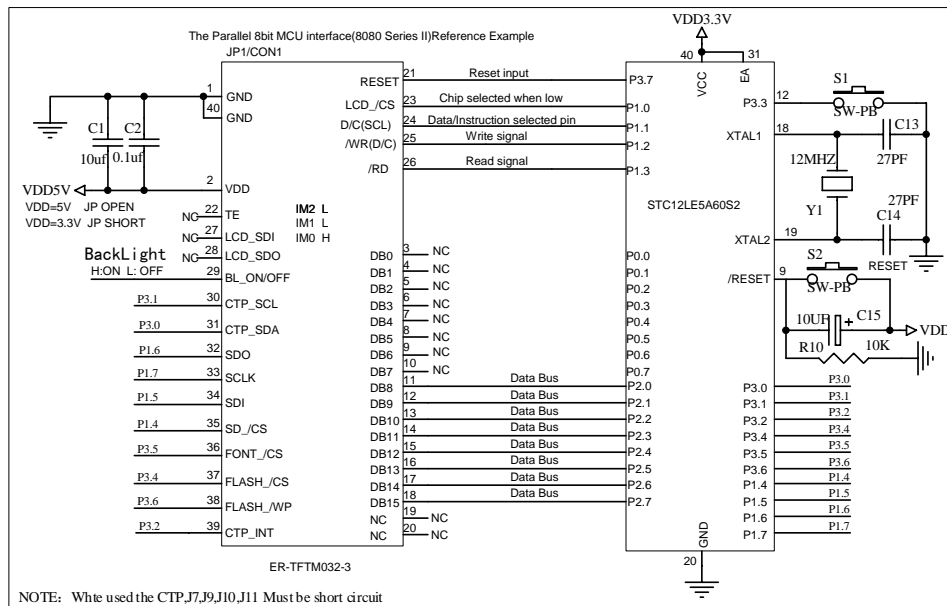
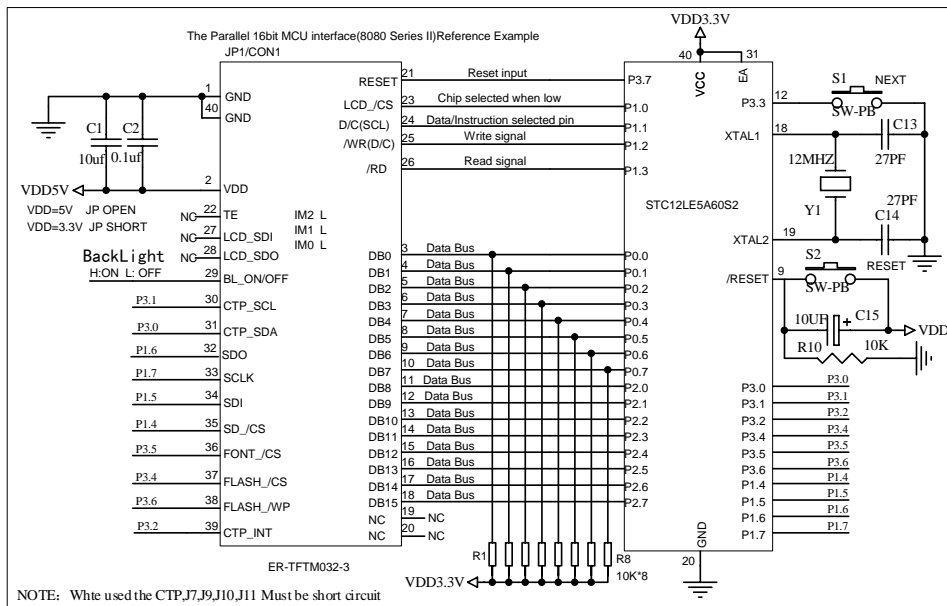


Interfacing ER-TFTM032-3 with Capacitive Touch Panel with MCU STC12LE5A60S2



CTP= Capacitive Touch Panel

Title **EASTRISING TECHNOLOGY CO.,LTD.**

REV.	DESCRIPTION OF MODIFY	MODIFY BY	DATE	Size	Number	Revision
A0	1'ST DESIGN	JIM	2018.10.17	A	ER-TFTM032-3	A0
A1						
A2						

Sheet of 1
Drawn By Javen