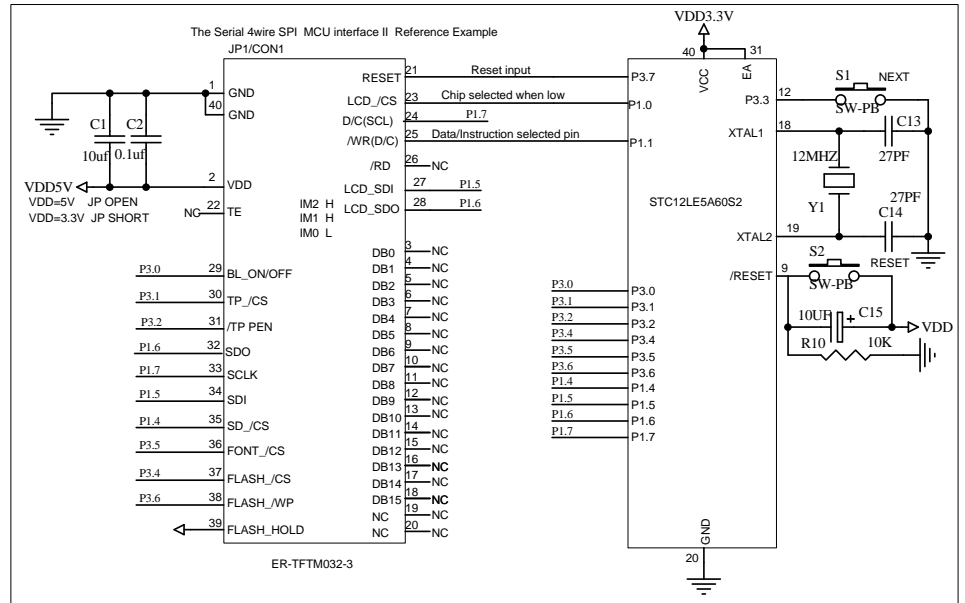
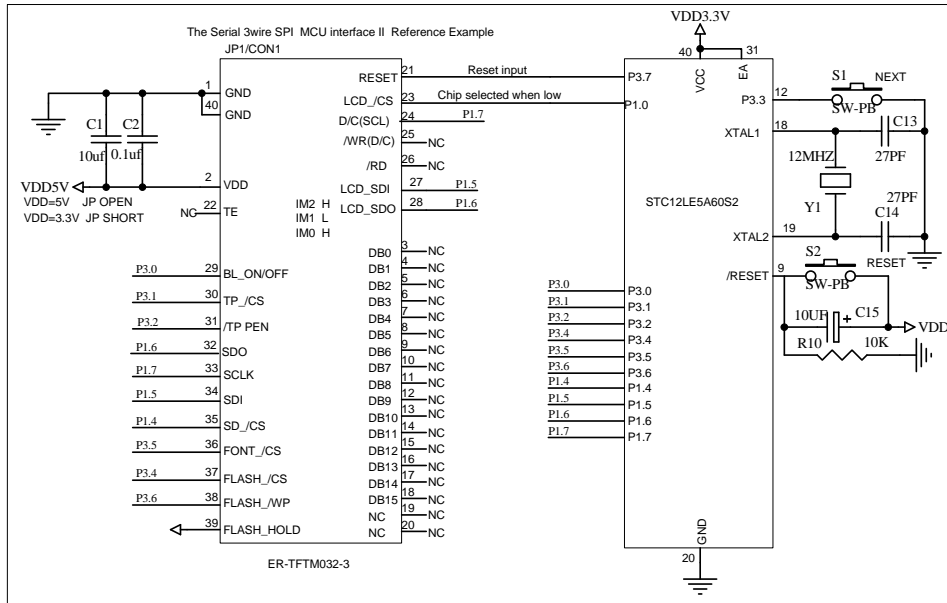
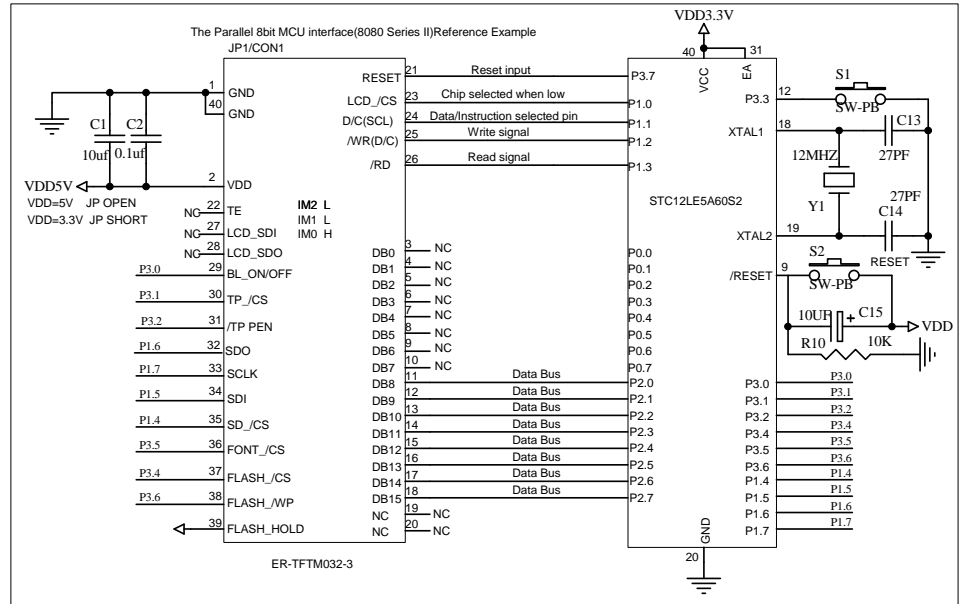
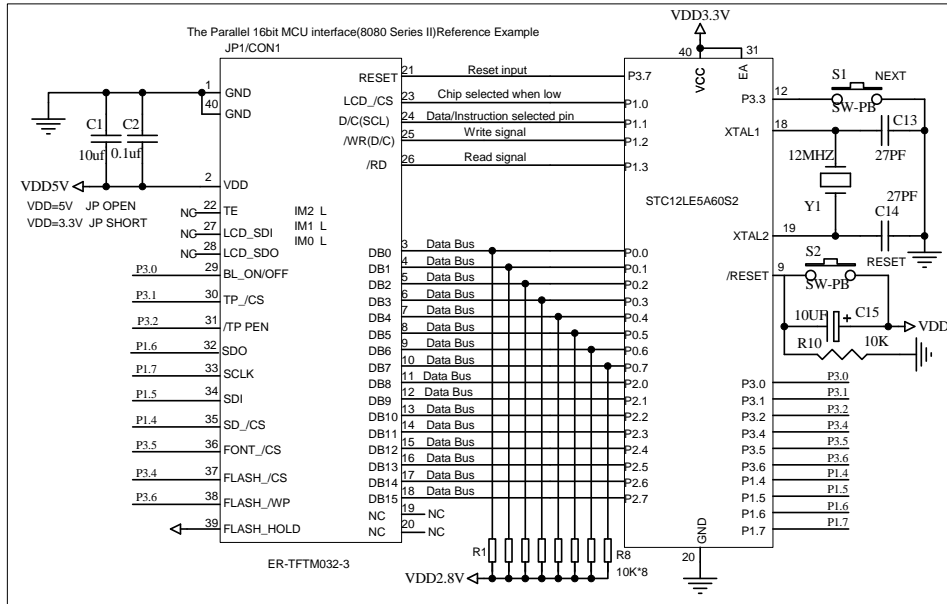


Interfacing ER-TFTM032-3 with Resistive Touch Panel with MCU STC12LE5A60S2



Title **EASTRISING TECHNOLOGY CO.,LTD.**

REV.	DESCRIPTION OF MODIFY	MODIFY BY	DATE	Size	Number	Revision
A0	1 ST DESIGN	JIM	2018.10.17	A	ER-TFTM032-3	A0
A1						1
A2				File	Drawn By	Javen