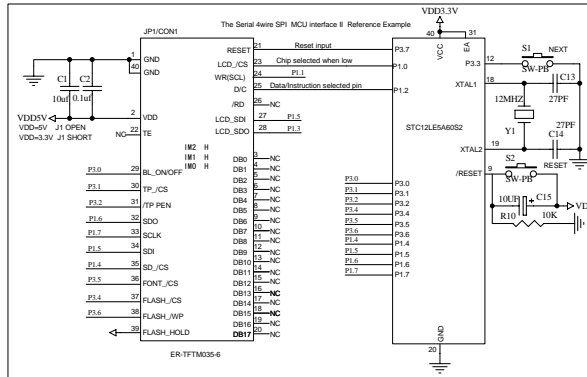
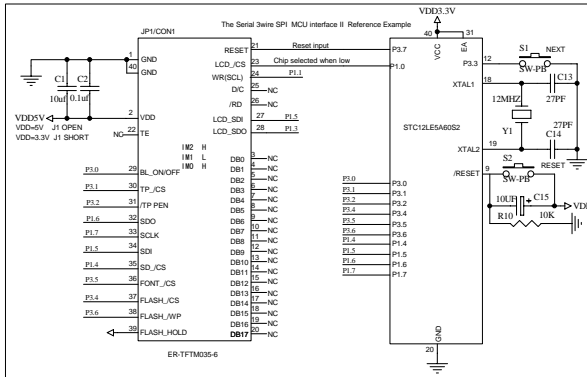
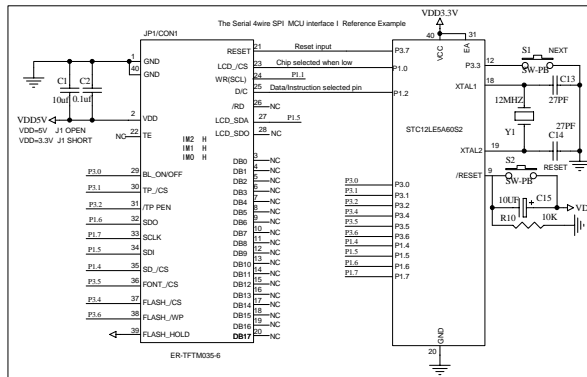
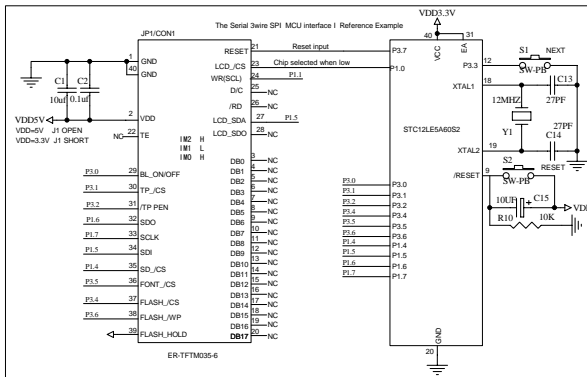
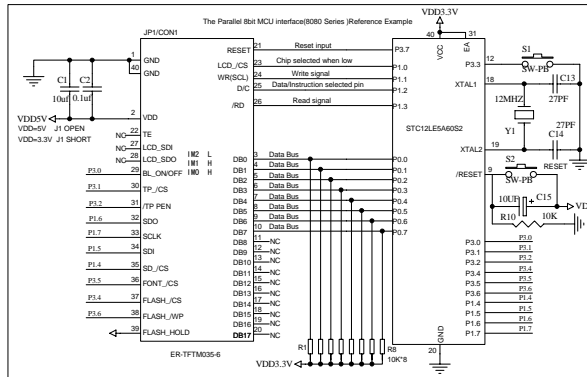
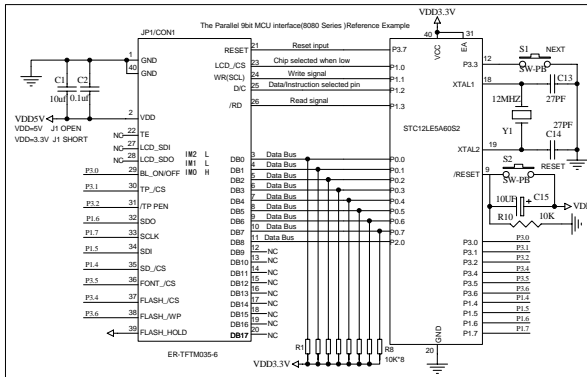
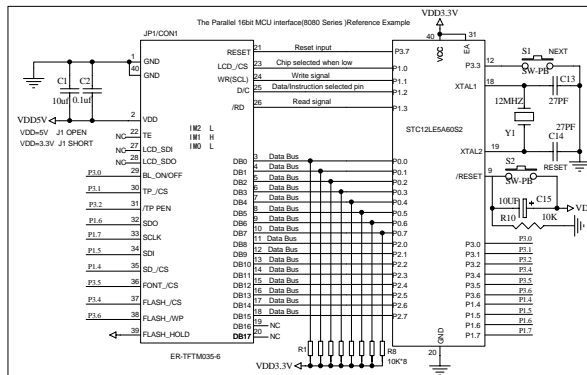
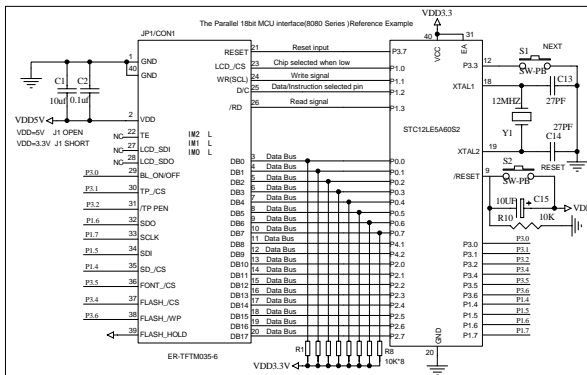
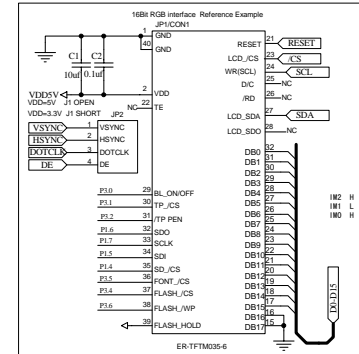
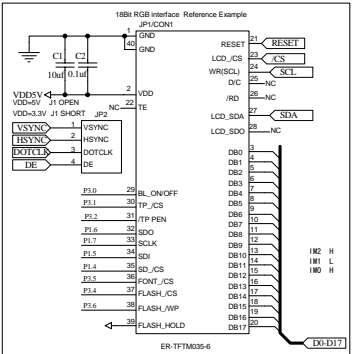


Interfacing TFT LCD Module ER-TFTM035-6 with Resistive Touch Panel to MCU STC12LE5A60S2



RGB Interfacing LCD Modules to the LCD Controller or Built-in LCD controller MCU



EastRising Technology Co.,Ltd

REV.	DESCRIPTION OF MODIFY	MODIFY BY	DATE	Size	Number	Revision	AO
A0	1ST DESIGN	JJM	2015.12.16	A	ER-TFTM035-6	1	
A1							
A2							

Date: 16-DEC-2015
Sheet of 1
Drawn By: Javan