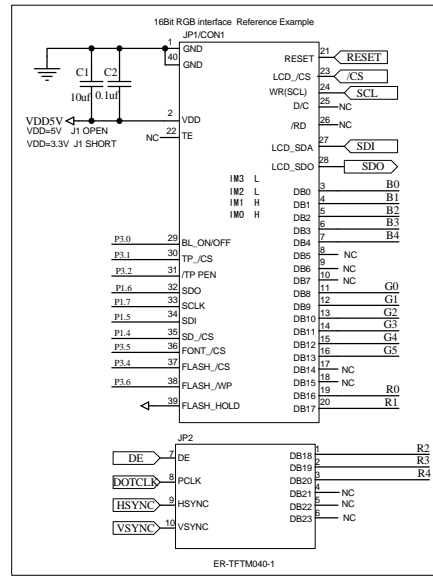
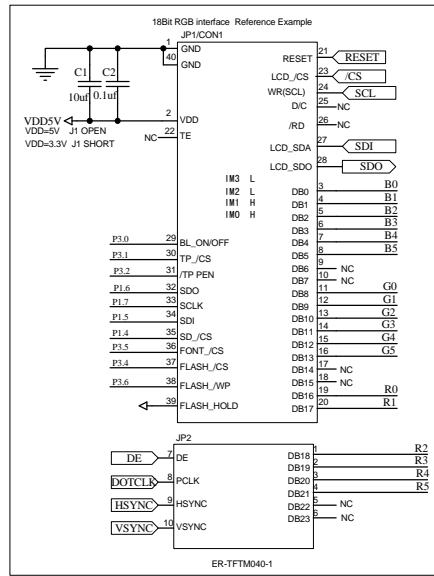
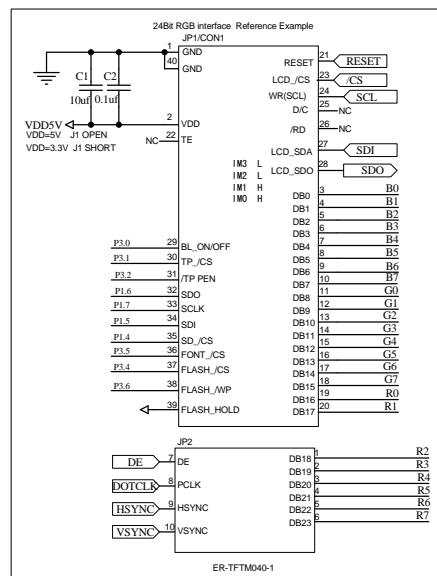
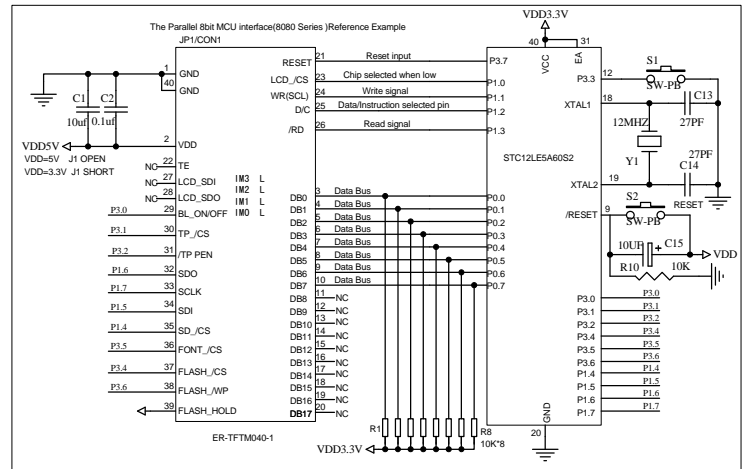
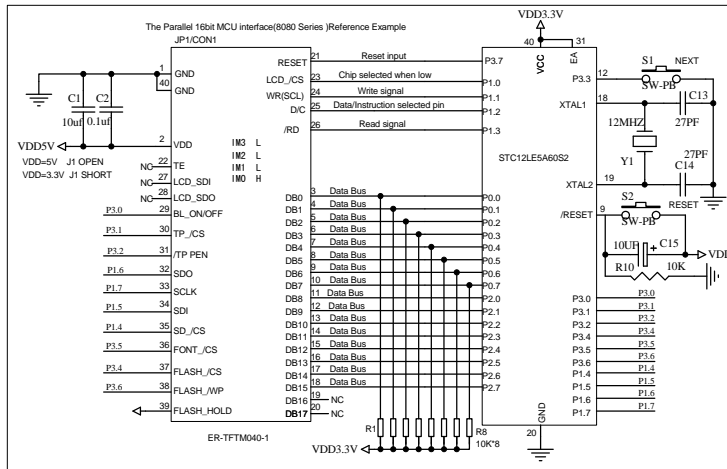
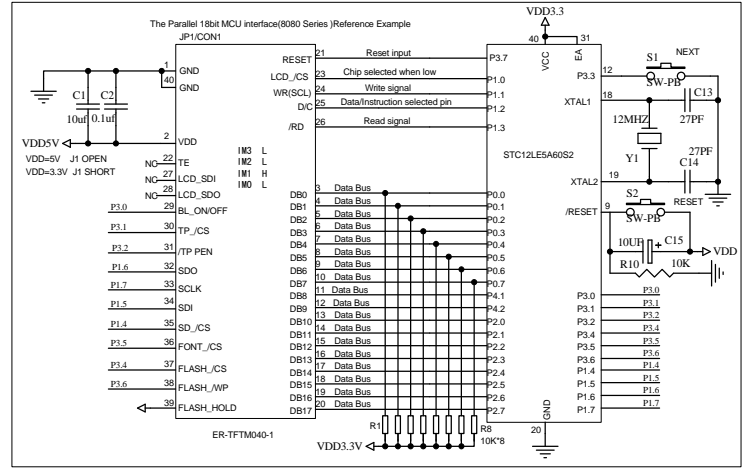
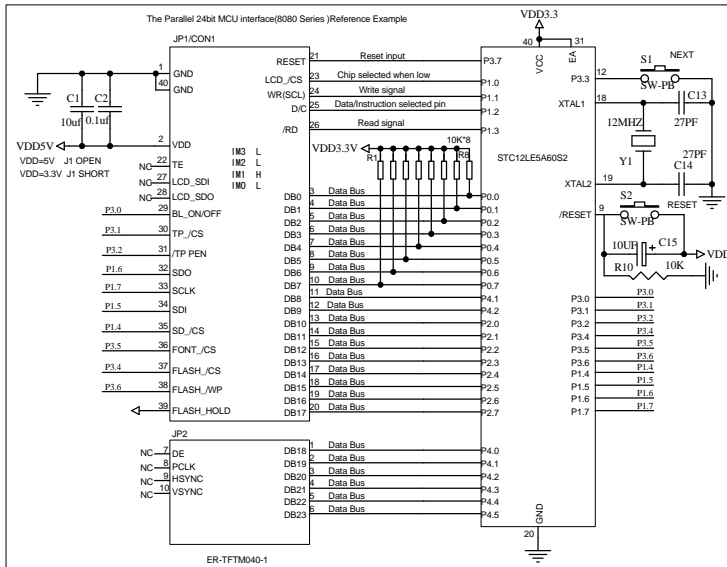


# Interfacing ER-TFTM040-1 with Resistive Touch to MCU STC12LE5A60S2



REV.	DESCRIPTION OF MODIFY	MODIFY BY	DATE	Size	Number	Revision	A0
A0	1ST DESIGN	JIM	Nov/12/2018	A	ER-TFTM040-1 With RTP		
A1				Date:	Nov/12/2018	Sheet of 1	
A2				File		Drawn by	Javen

Title EASTRISING TECHNOLOGY CO.,LTD.