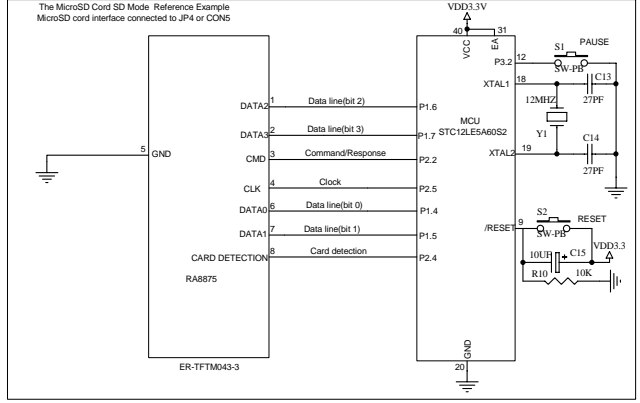
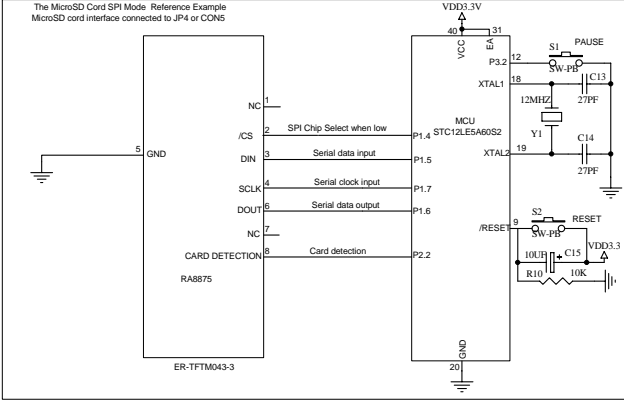
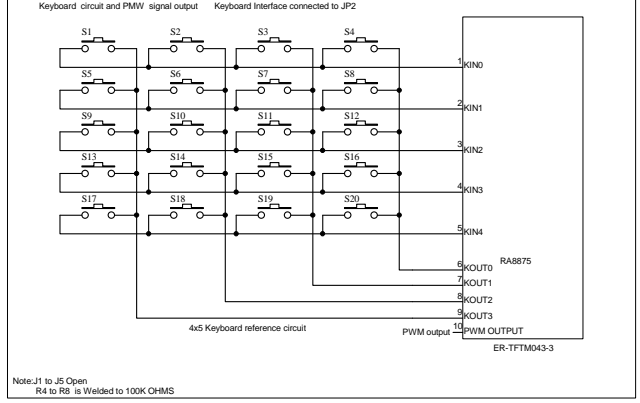
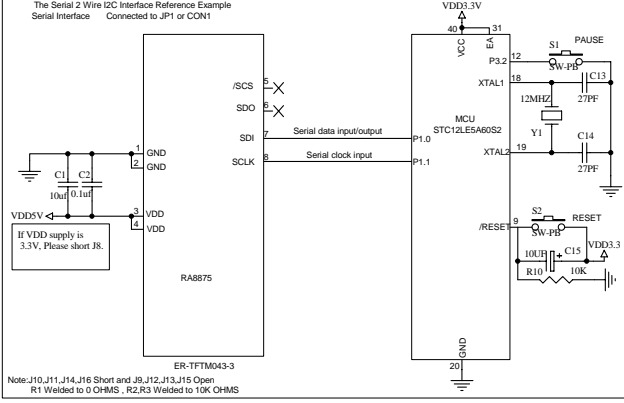
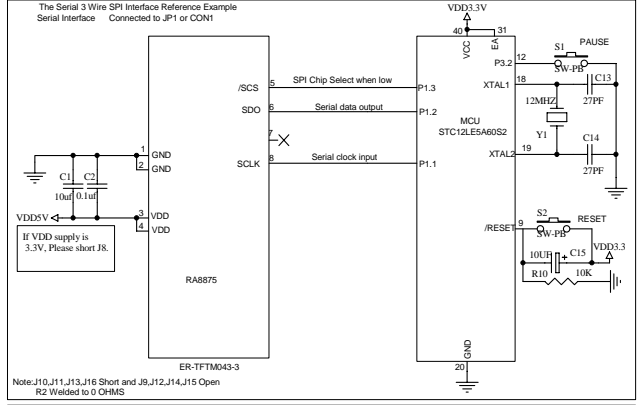
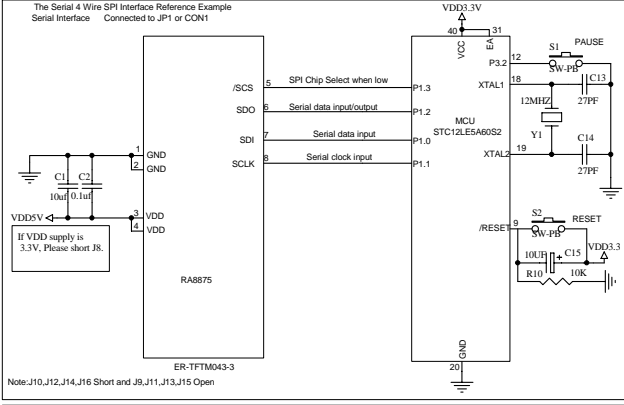
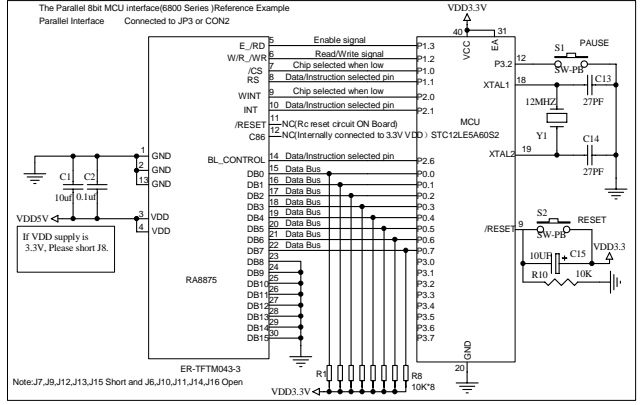
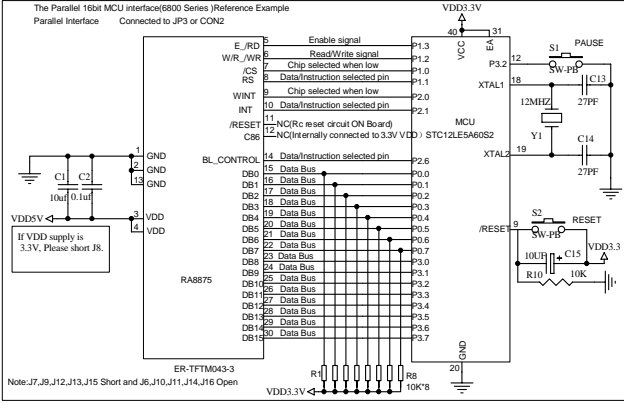
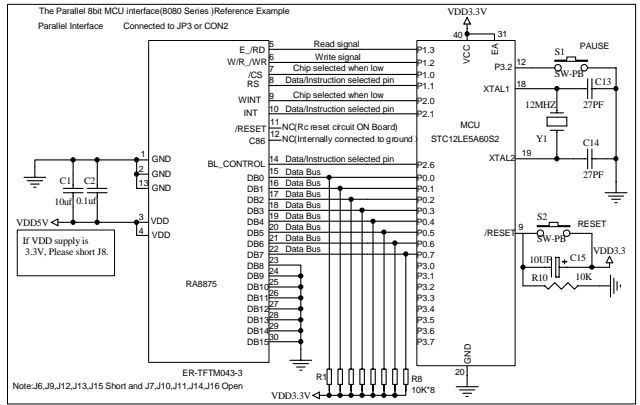
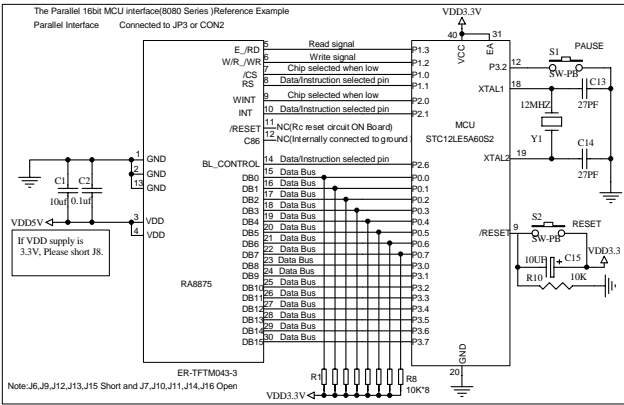


MCU Interfacing LCD Modules to the STC12LE5A60S2



Title EASTRSING TECHNOLOGY CO.,LTD.

REV.	DESCRIPTION OF MODIFY	MODIFY BY	DATE	Size	Number	Revision
A0	1' ST DESIGN	J1W	Aug-5-2013	A	ER-TFTM043-3	A0
				Date:	Aug-5-2013	Sheet of 1
				File:		Drawn By J1W