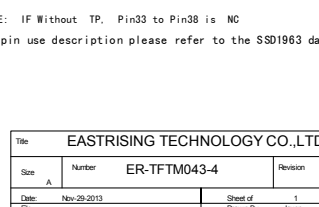
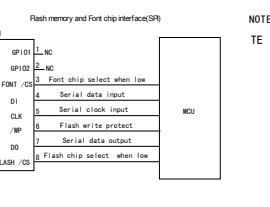
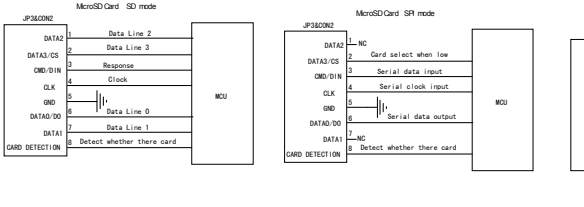
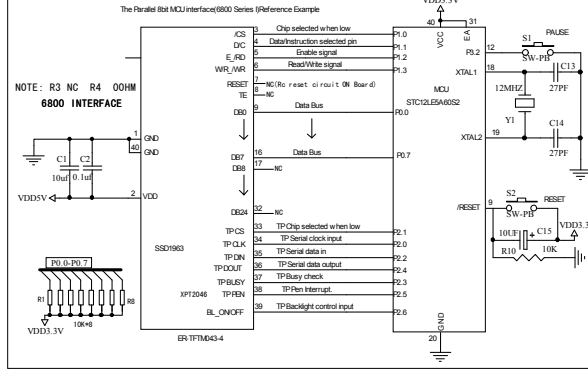
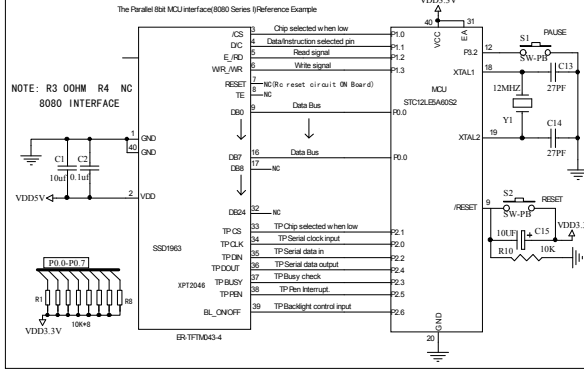
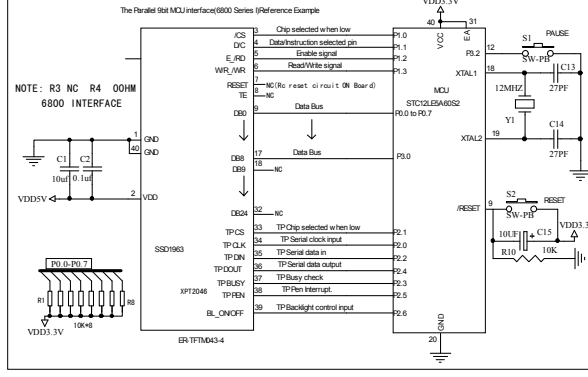
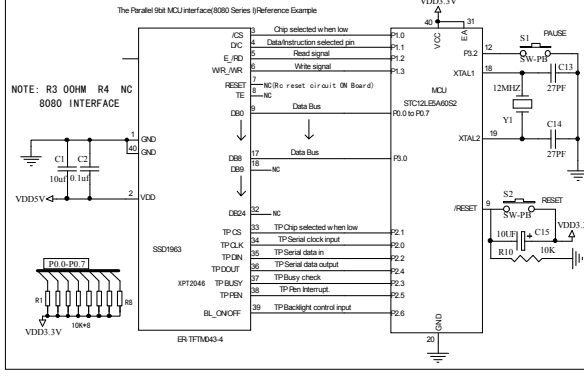
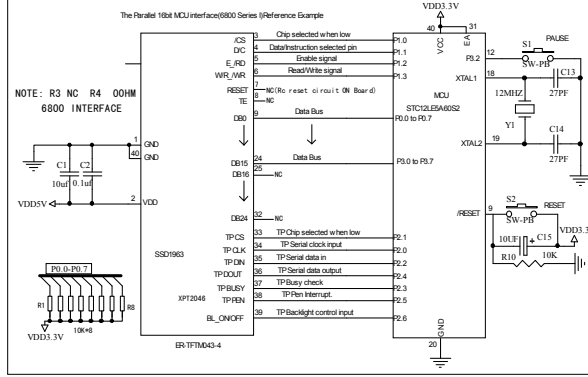
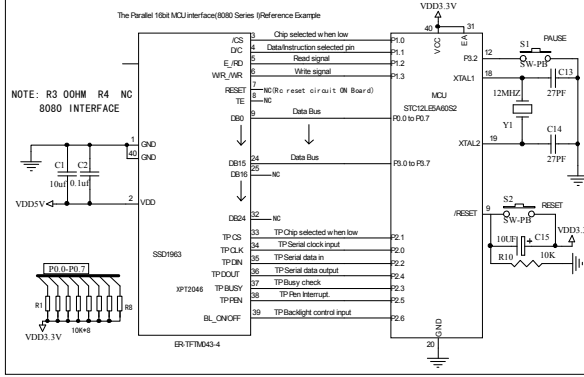
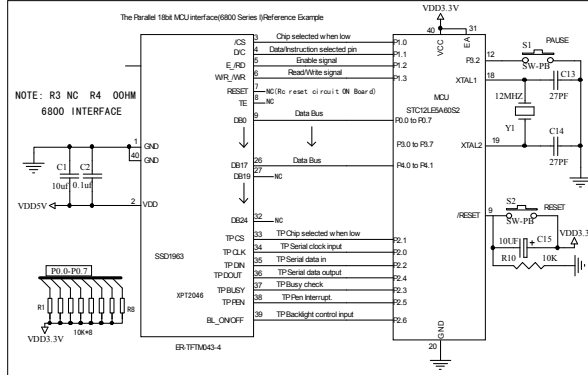
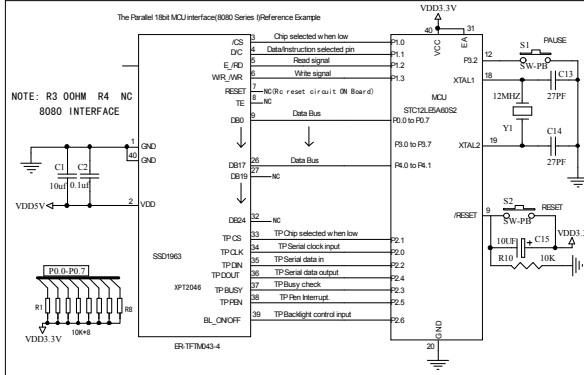
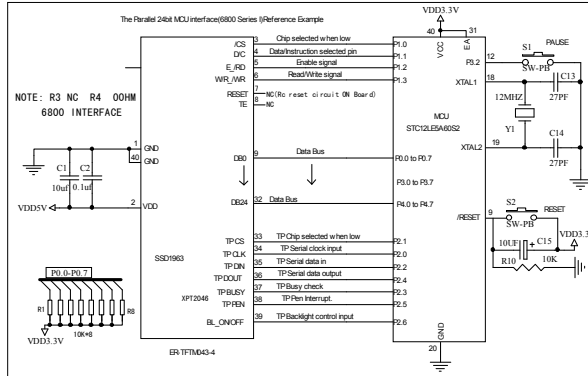
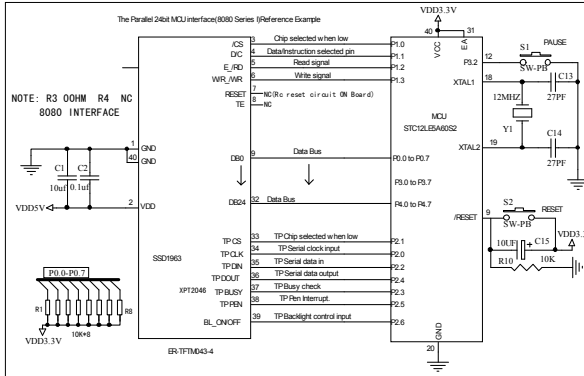


MCU Interfacing LCD Modules to the STC12LE5A60S2



NOTE: IF Without TP, Pin33 to Pin38 is NC
TE pin use description please refer to the SSD1963 data sheet

Title: EASTRISING TECHNOLOGY CO.,LTD.		
Size: A	Number: ER-TFTM043-4	Revision: A0
Date: Nov-29-2013	Sheet of: 1	Drawn By: Javen