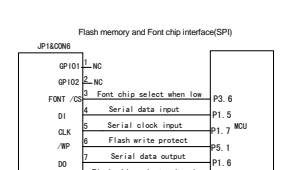
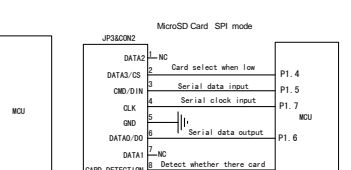
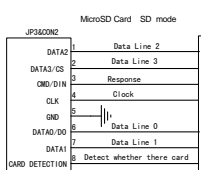
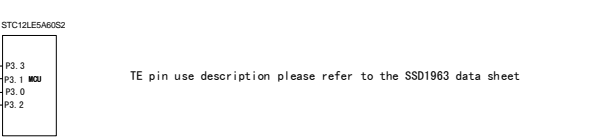
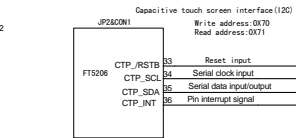
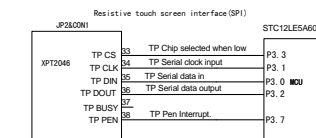
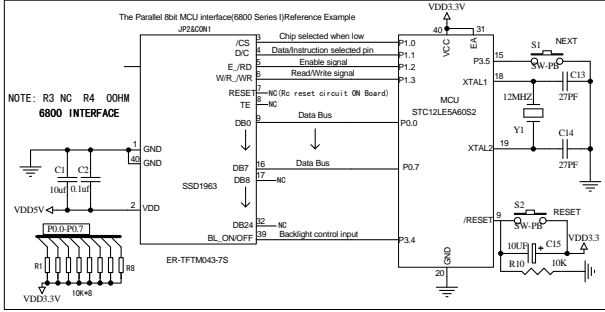
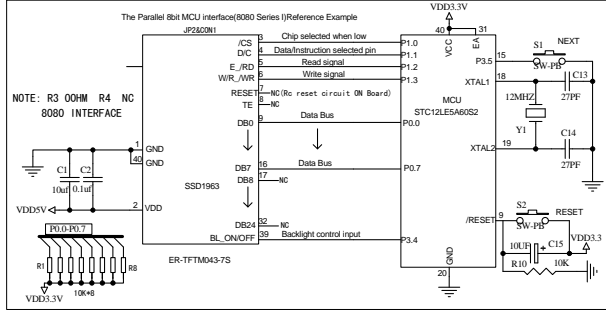
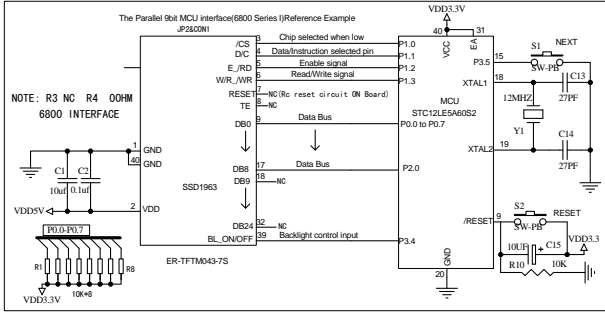
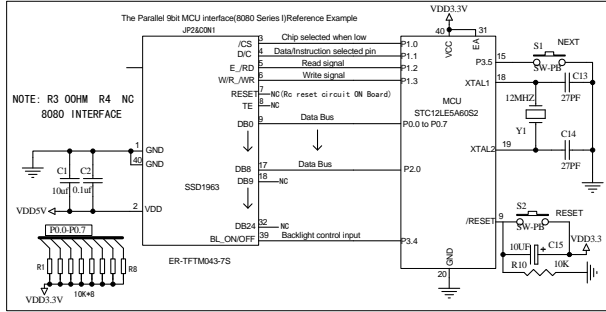
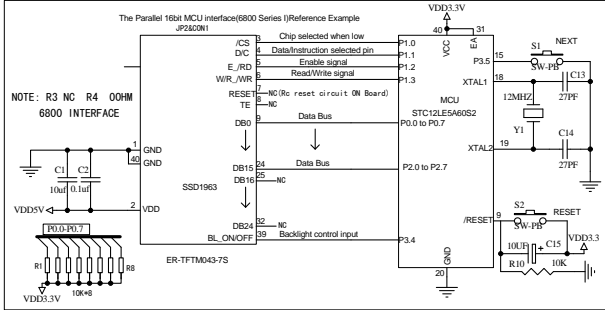
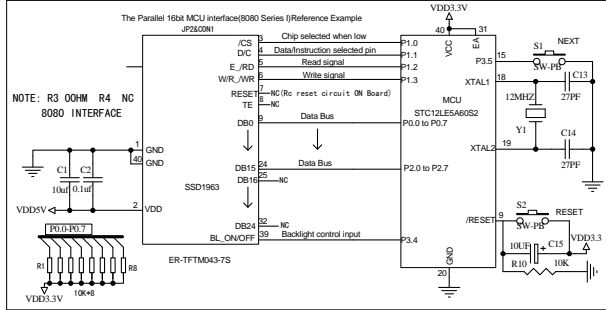
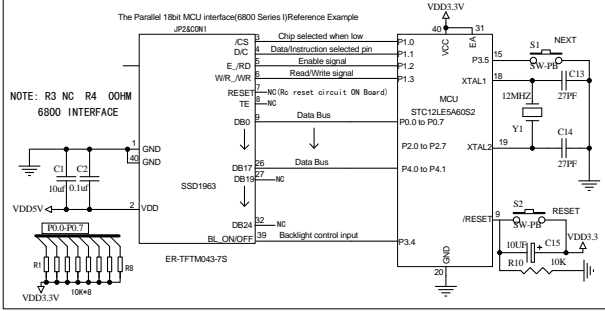
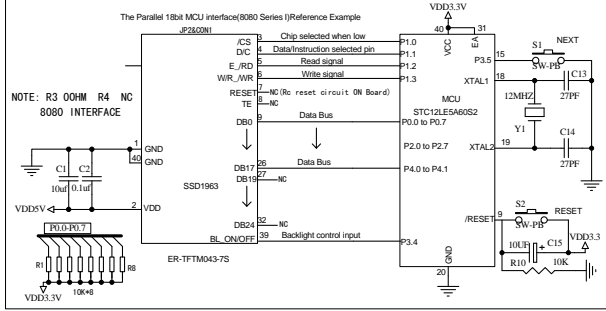
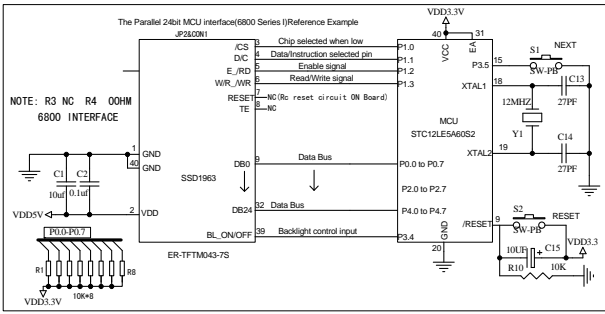
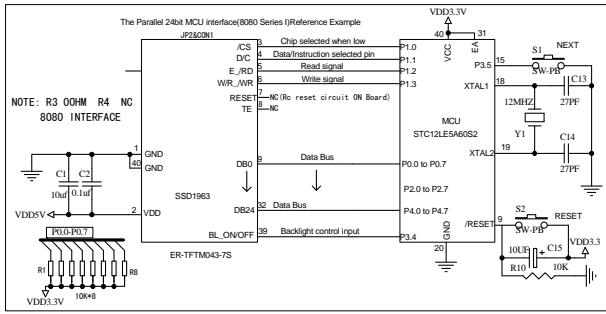


# Interfacing TFT LCD Module ER-TFTM043-7S to MCU ST12LE5A60S2



TE pin use description please refer to the SSD1963 data sheet