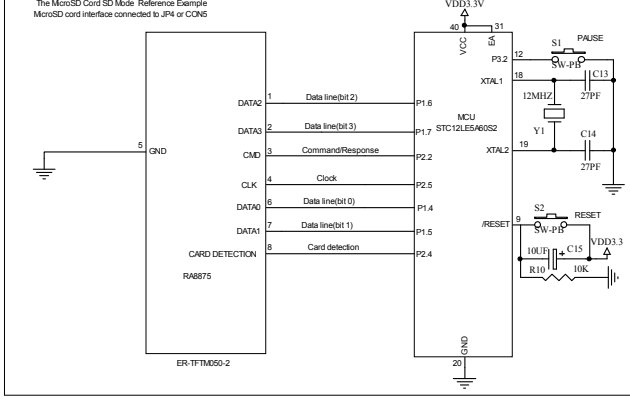
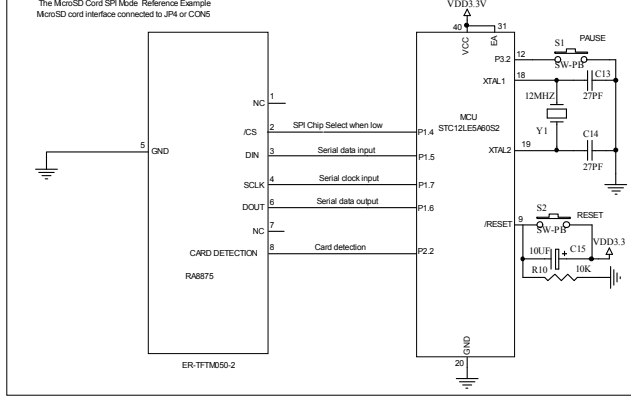
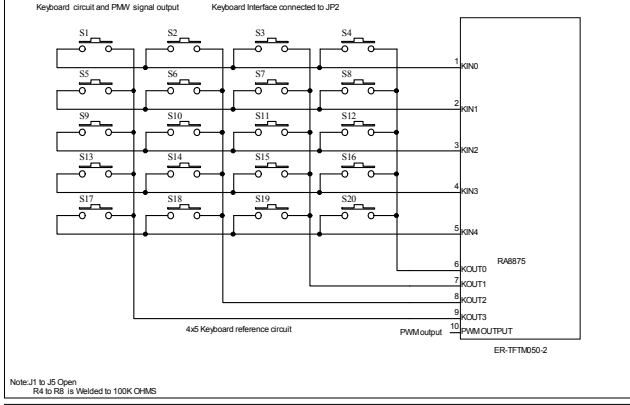
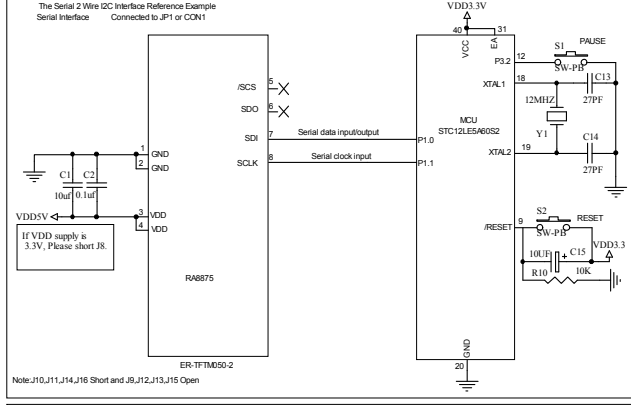
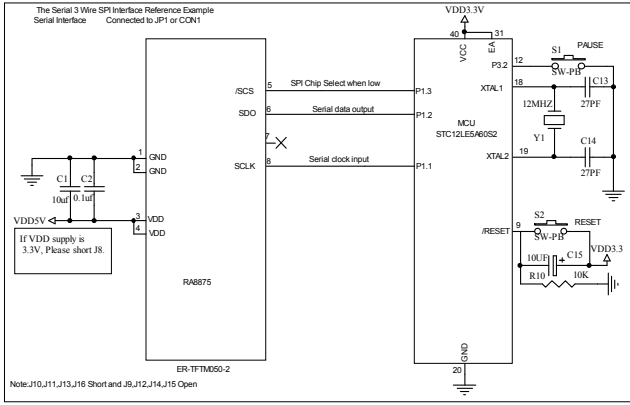
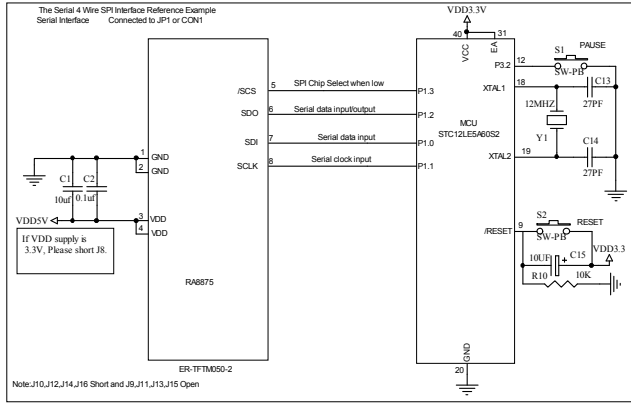
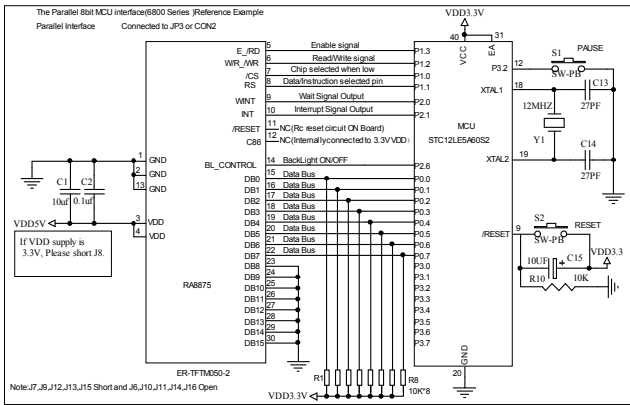
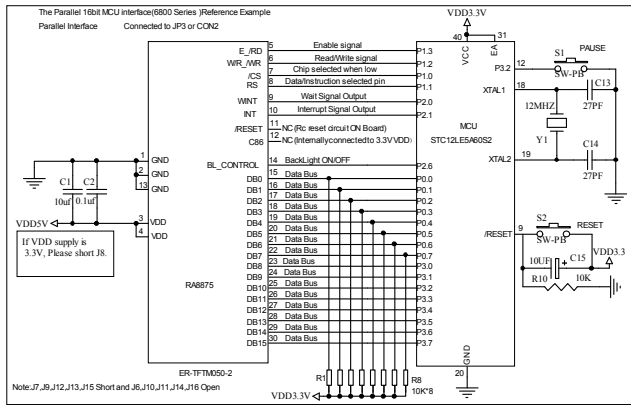
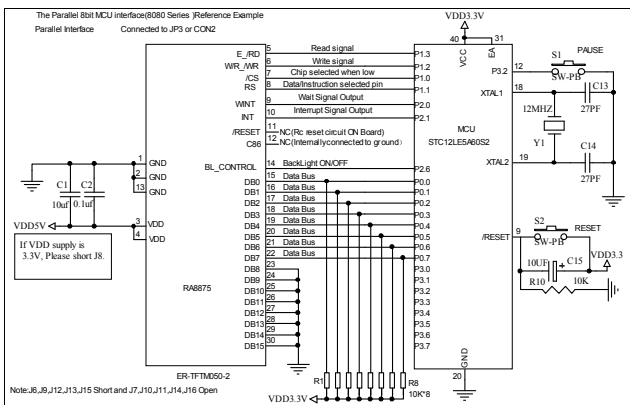
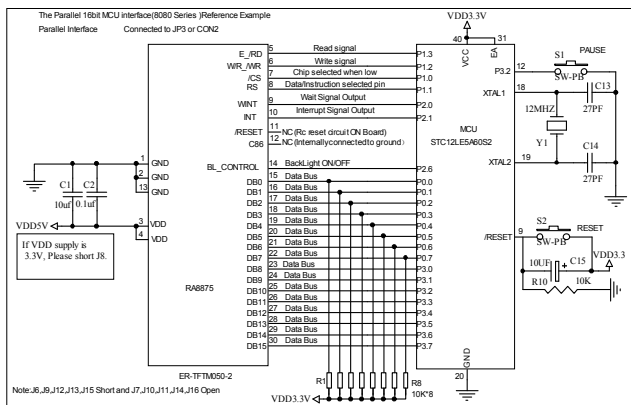


Interfacing 5" TFT LCD Module(ER-TFTM050-2) to MCU 8051(STC12LE5A60S2)



REV.	DESCRIPTION OF MODIFY	MODIFY BY	DATE	File	Number	Revision
A0	1 ST DESIGN	JIM	Aug-5-2013	ER-TFTM050-2		A0
A1	Modified PIN9, IO, 14 description	JIM	Dec-08-2014			

Title: EASTRISING TECHNOLOGY CO., LTD.
Date: Aug-5-2013
Sheet of 1
Drawn By: JIM