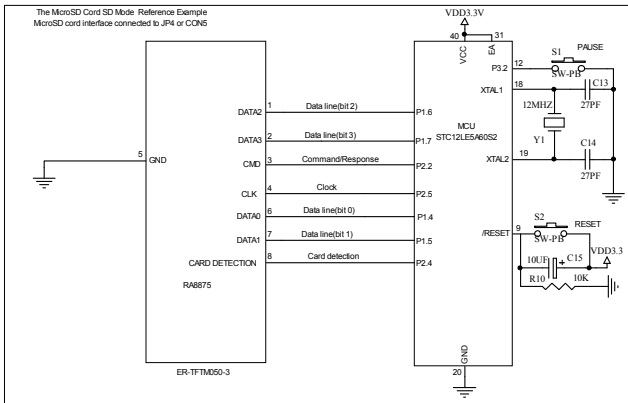
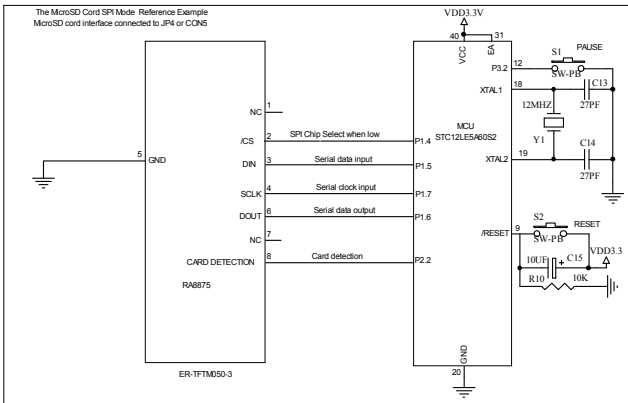
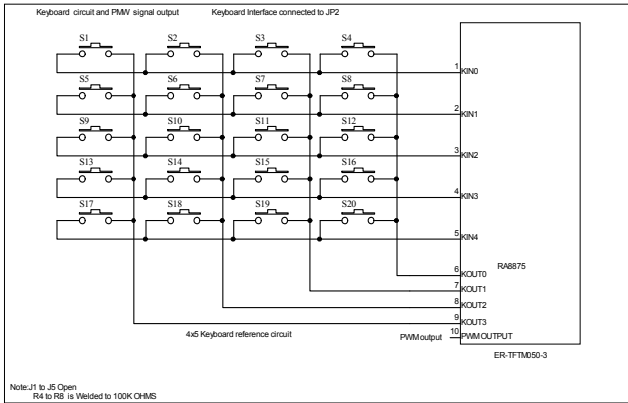
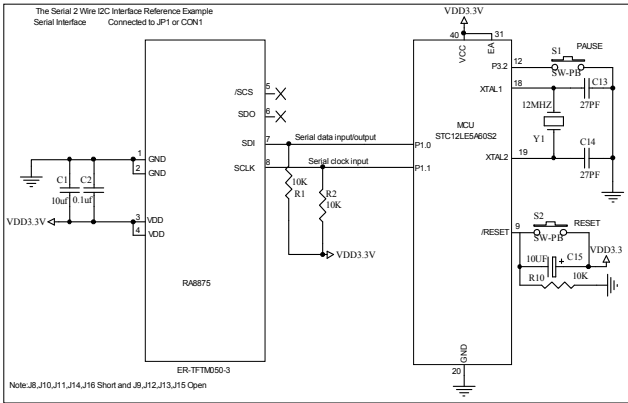
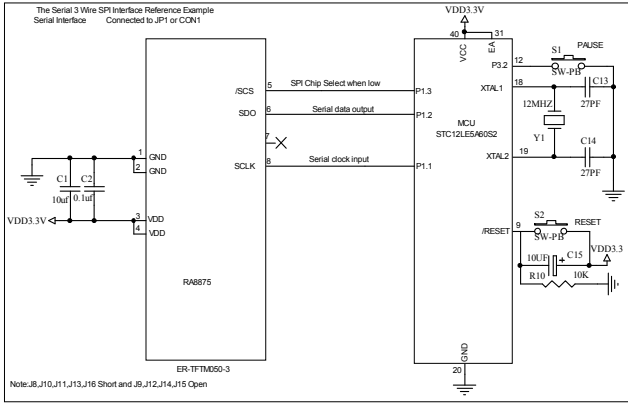
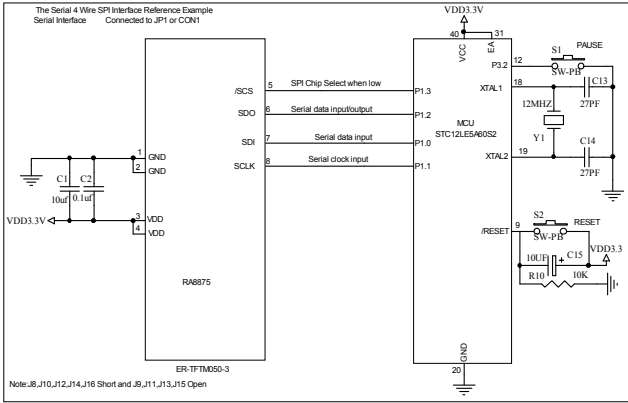
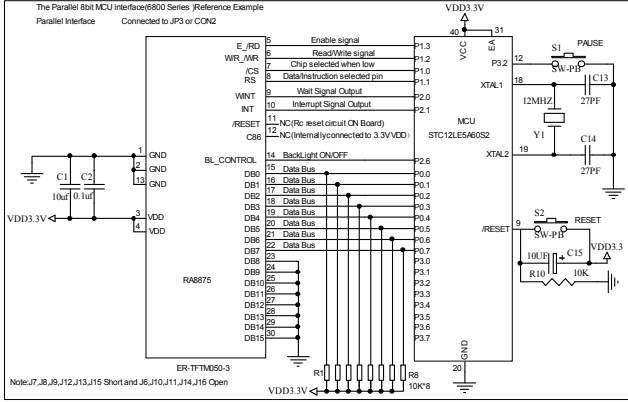
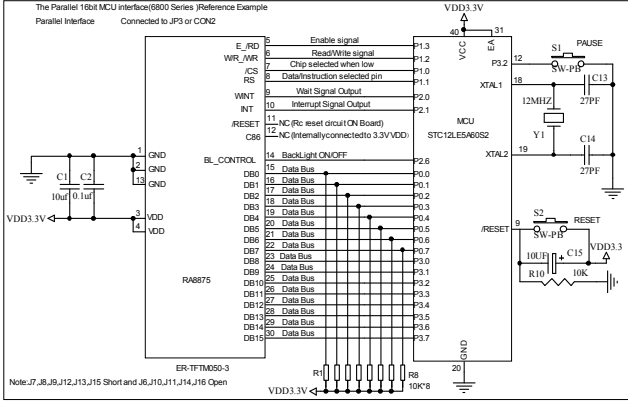
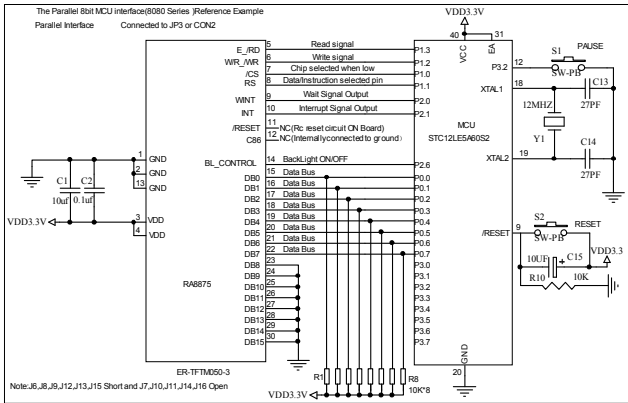
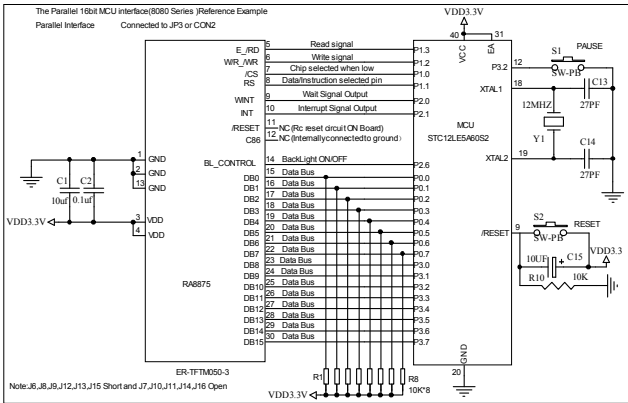


Interfacing 5" TFT LCD Module(ER-TFTM050-3) to MCU 8051(STC12LE5A60S2)



| REV. | DESCRIPTION OF MODIFY | MODIFY BY | DATE | Title |
|------|--------------------------------|-----------|-------------|--------------------------------|
| A0 | 1 ST DESIGN | JW | Sep-23-2013 | EASTRISING TECHNOLOGY CO.,LTD. |
| A1 | Modified PIN10, 14 description | JW | Dec-08-2014 | |

| | | |
|-------|--------------|----------|
| Sheet | Number | Revision |
| A | ER-TFTM050-3 | A0 |

| | | | |
|-------------|------|----------|----------|
| Date: | File | Sheet of | Drawn By |
| Sep-23-2013 | | 1 | JM |