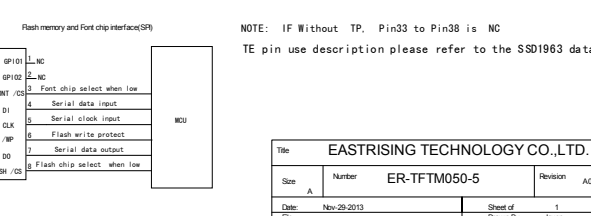
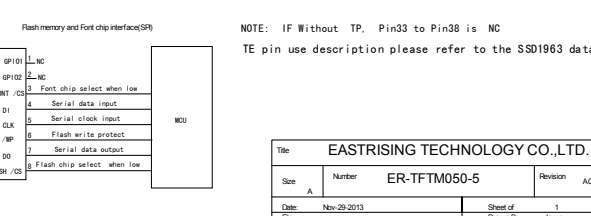
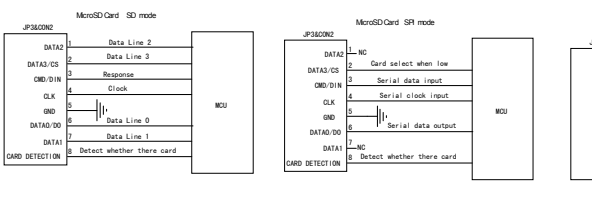
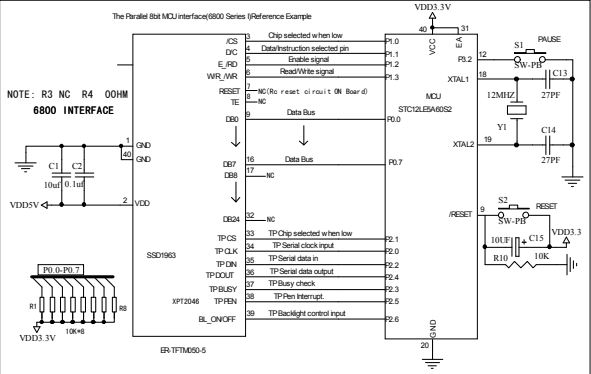
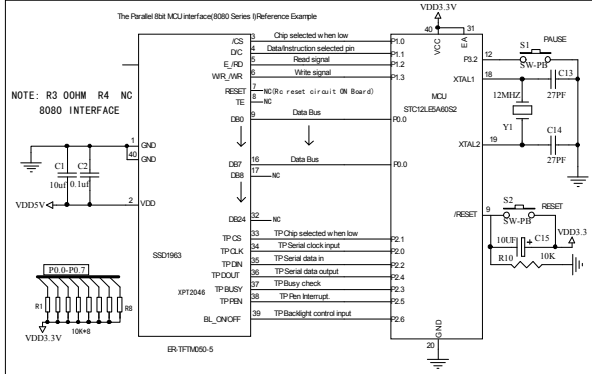
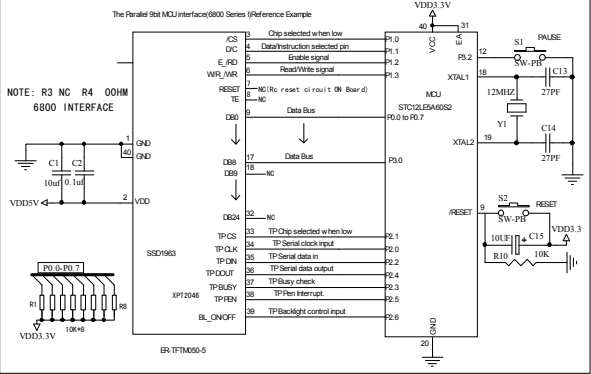
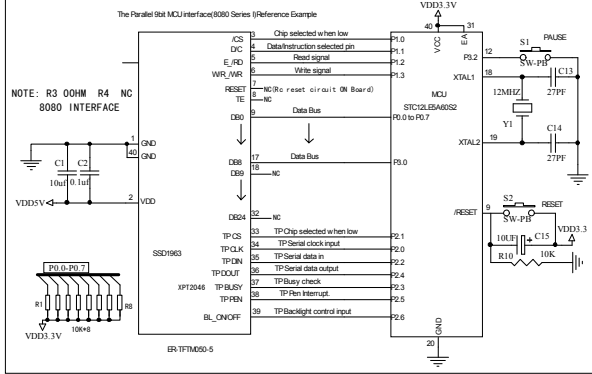
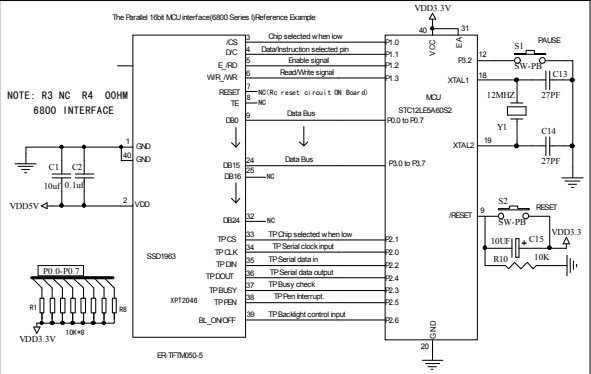
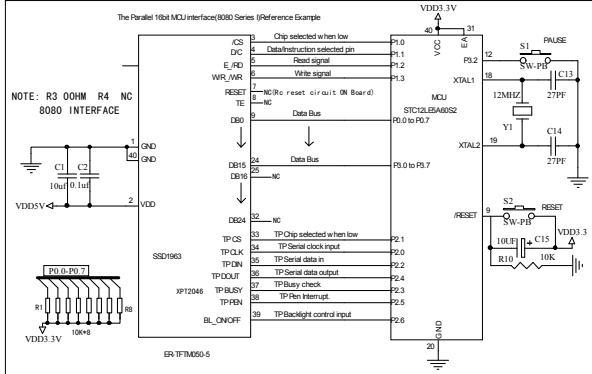
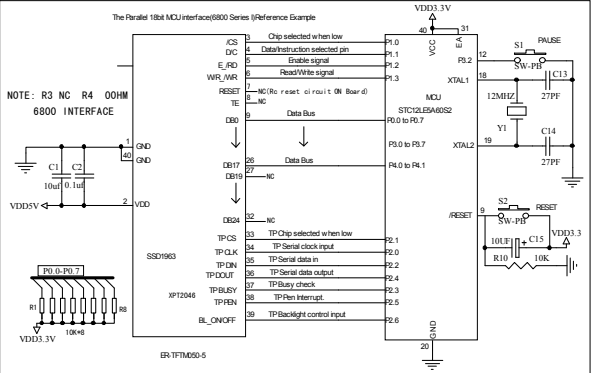
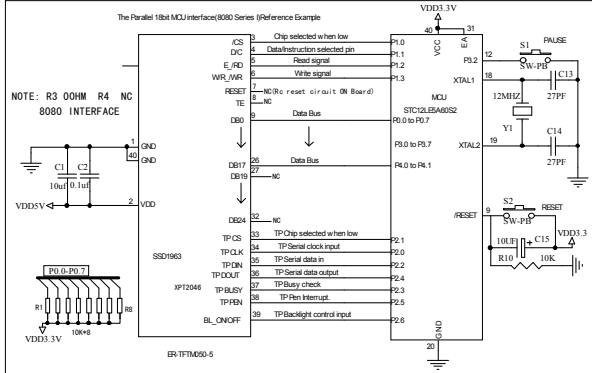
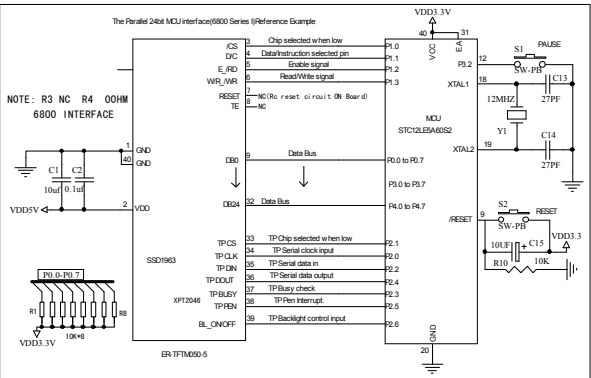
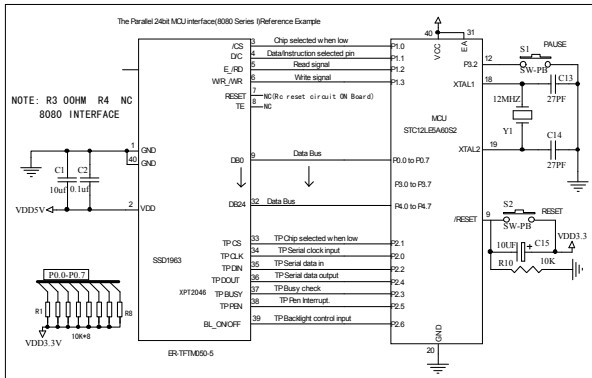


MCU Interfacing LCD Modules to the STC12LE5A60S2



NOTE: IF Without TP, Pin33 to Pin38 is NC
TE pin use description please refer to the SSD1963 data sheet

EASTRISING TECHNOLOGY CO.,LTD.			
Size	Number	Revision	AG
A	ER-TFTM050-5		
Date:	Nov-29-2013	Sheet of	1
File:		Drawn By	Javen