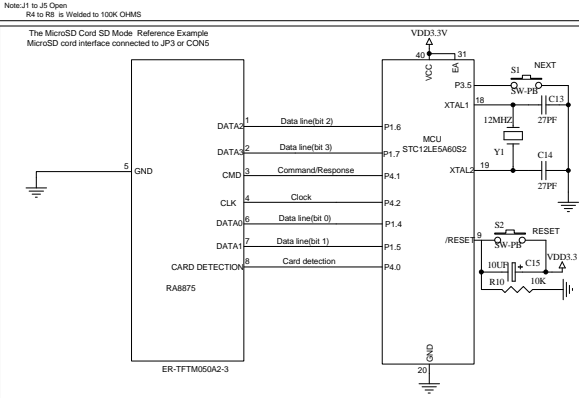
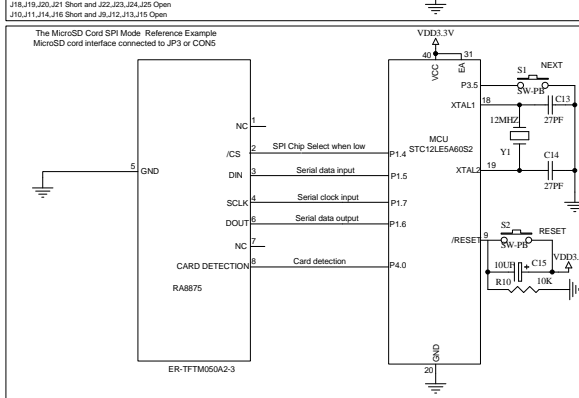
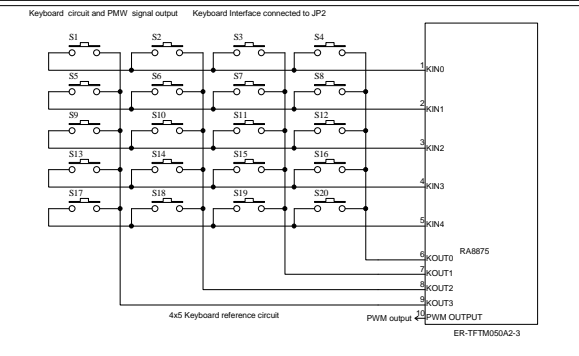
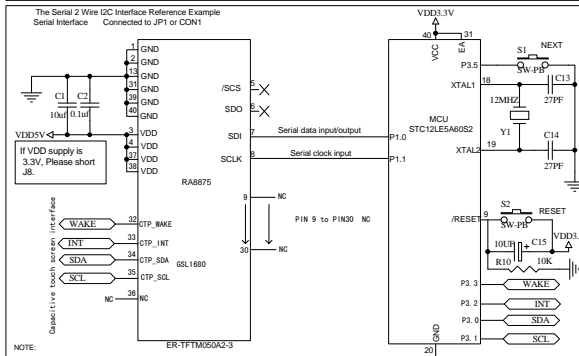
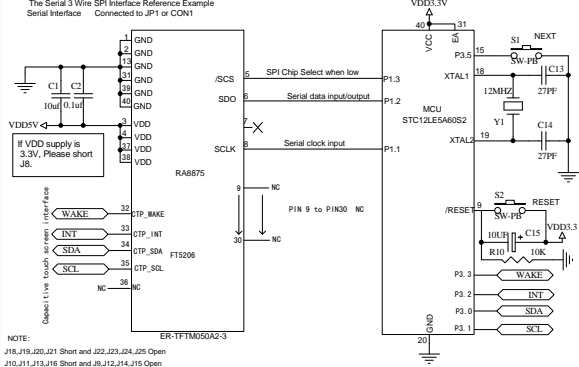
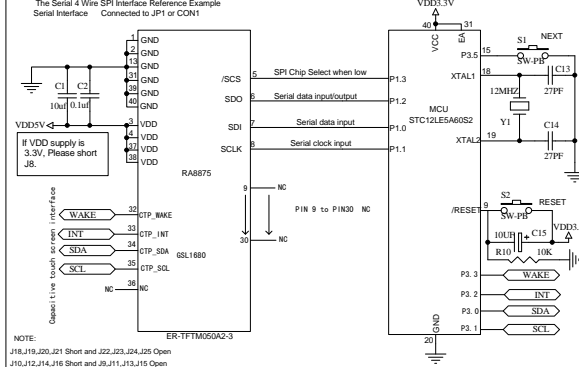
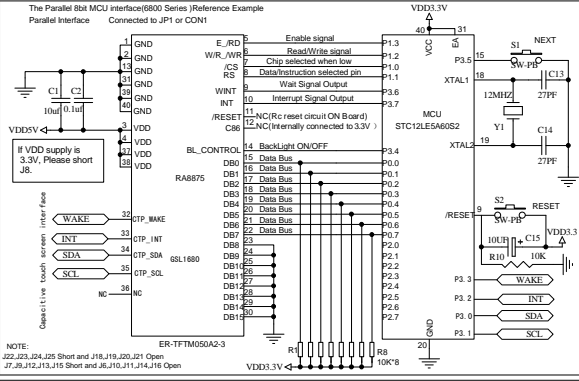
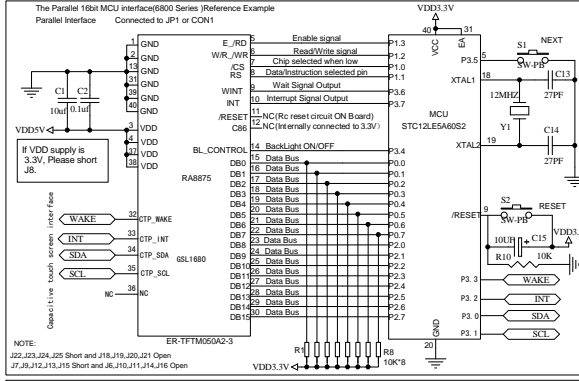
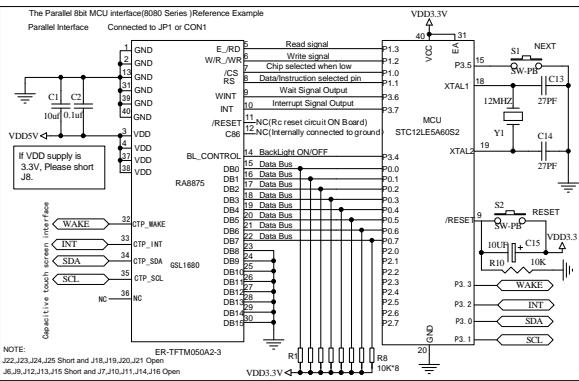
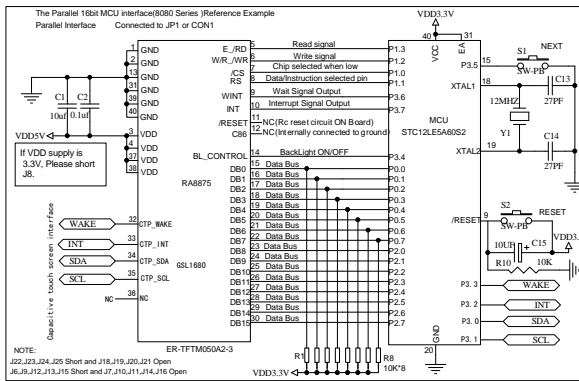


# Interfacing TFT LCD Module ER-TFTM050A2-3 to MCU STC12LE5A06S2



REV.	DESCRIPTION OF MODIFY	MODIFY BY	DATE	Size	Number	Revision
A0	1' ST DESIGN	J1M	DEC-28-2015	A	ER-TFTM050A2-3	A0
A1	2' ED DESIGN	J1M	May-03-2018			

Title: EASTRISING TECHNOLOGY CO.,LTD.  
Date: DEC-28-2015  
Sheet of 1  
Drawn By: J1M