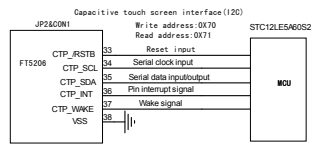
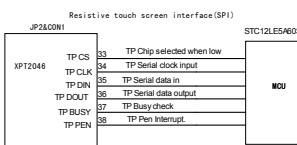
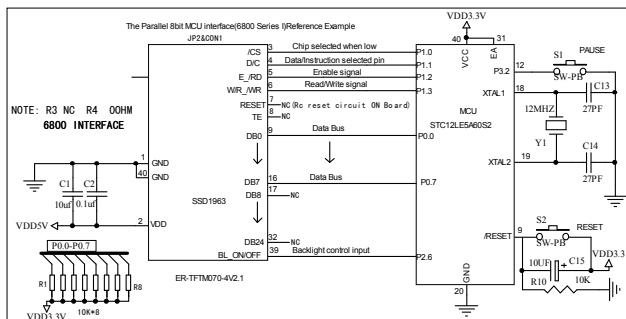
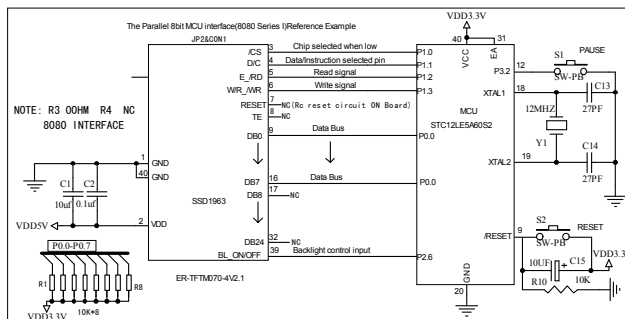
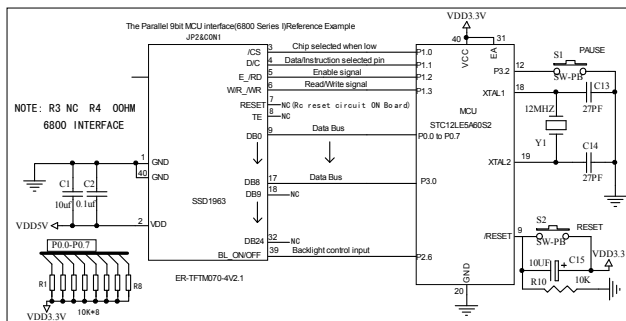
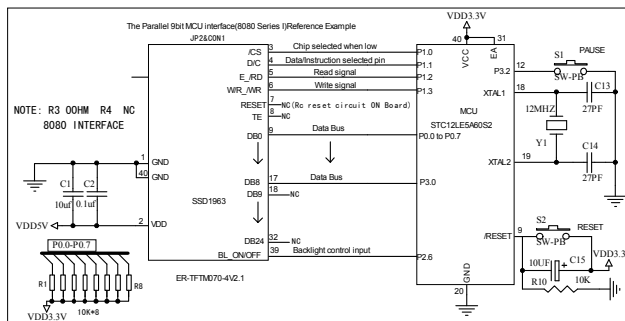
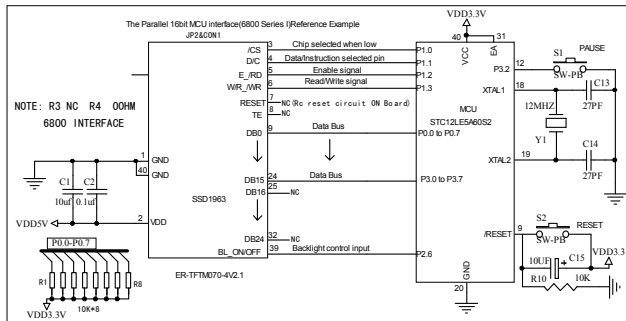
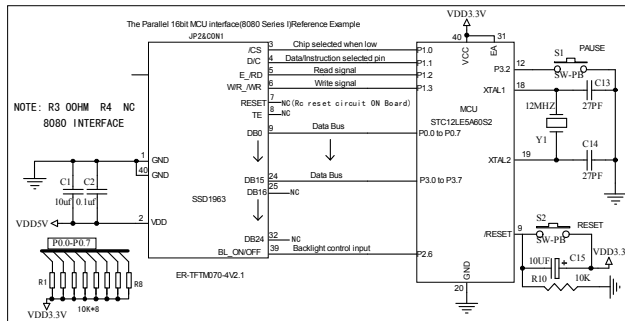
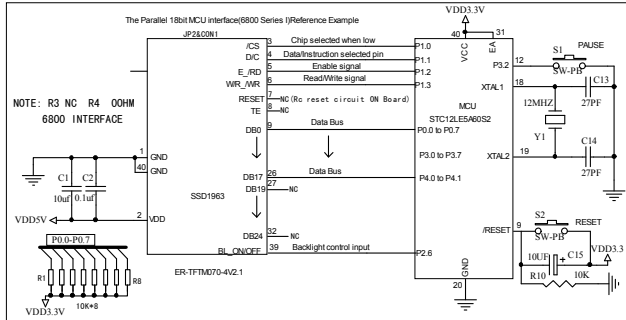
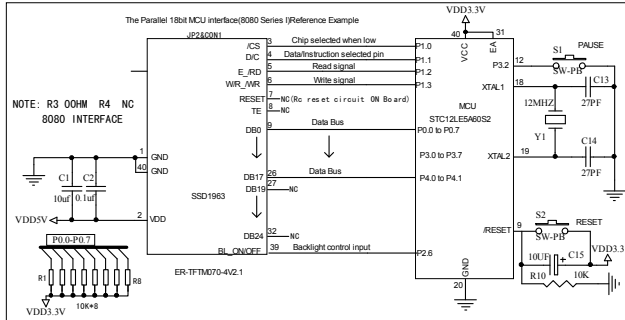
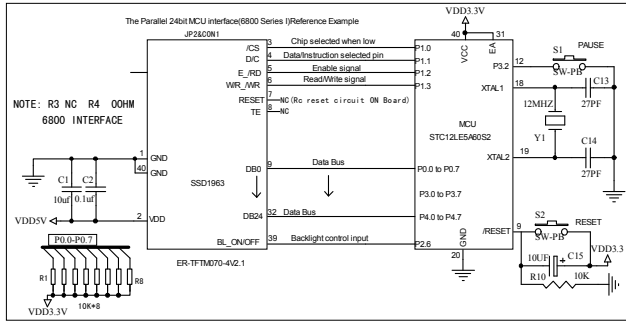
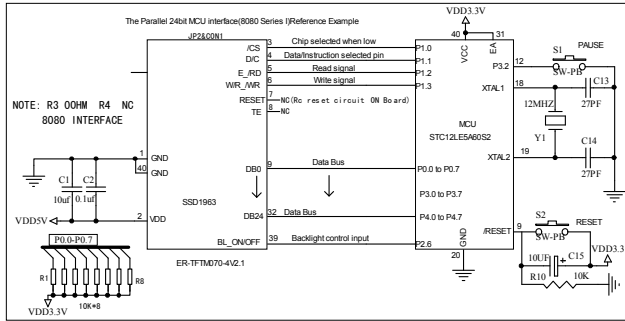
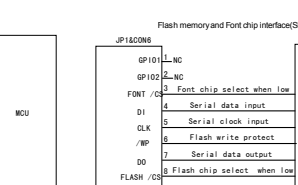
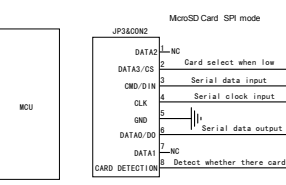
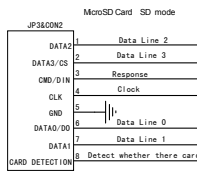


MCU Interfacing LCD Modules to the STC12LE5A60S2



NOTE: IF Without TP, Pin33 to Pin38 is NC
TE pin use description please refer to the SSD1963 data sheet



Title EASTRISING TECHNOLOGY CO.,LTD.			
Sub	Number	Revision	A0
Date	Nov-29-2013	Sheet of	1
File		Drawn by	liwen