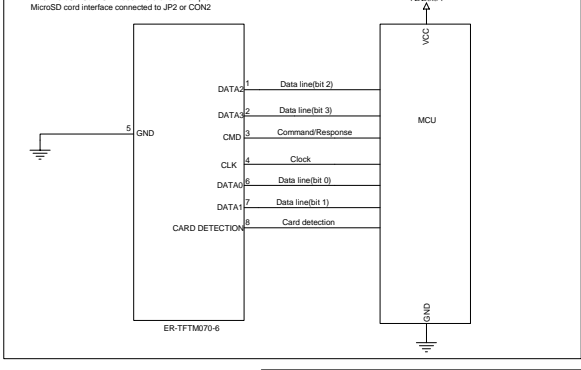
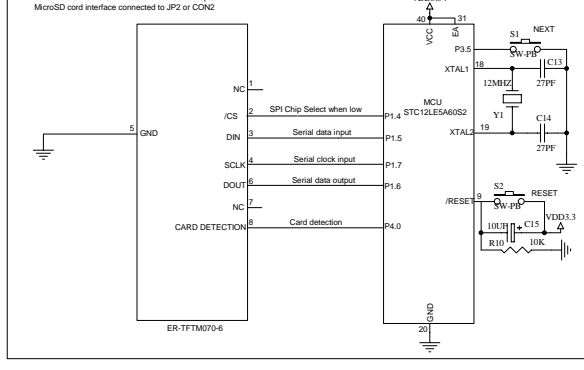
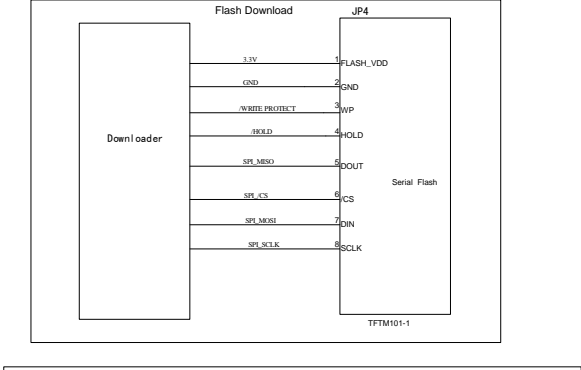
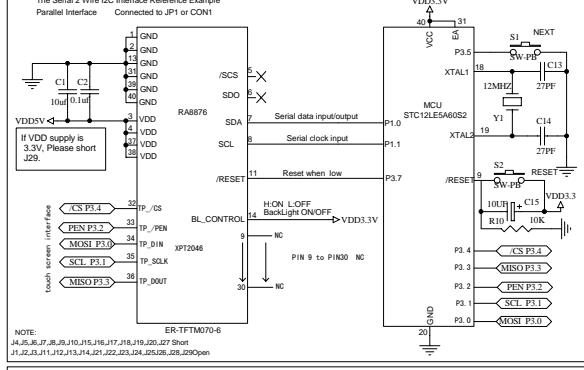
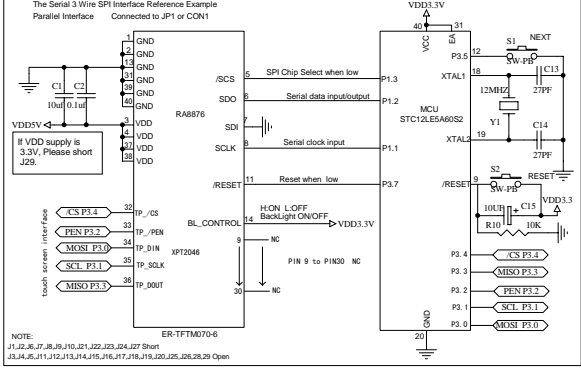
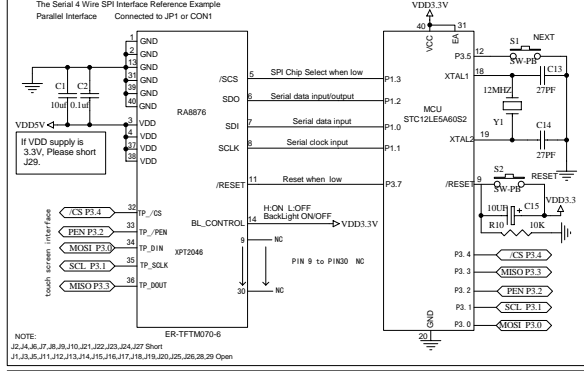
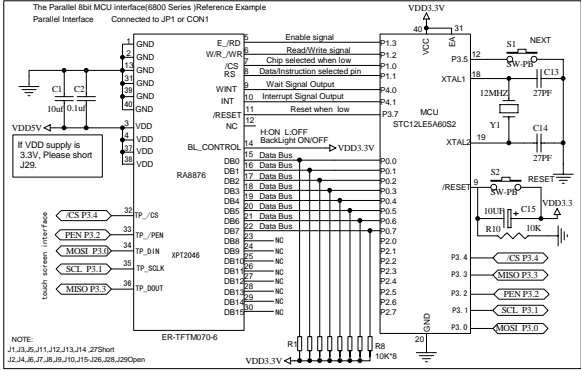
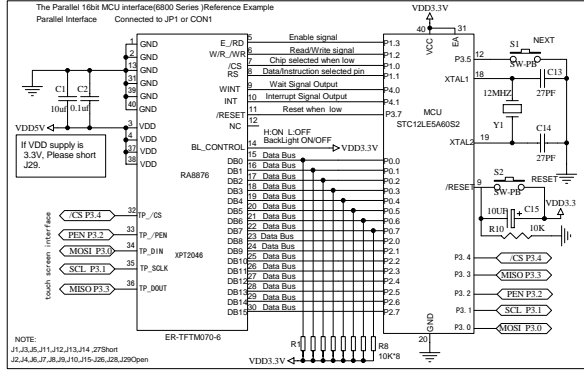
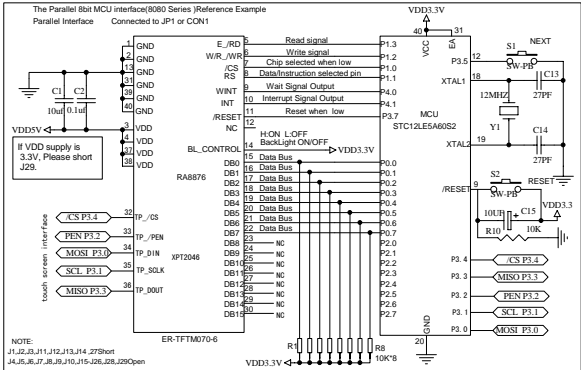
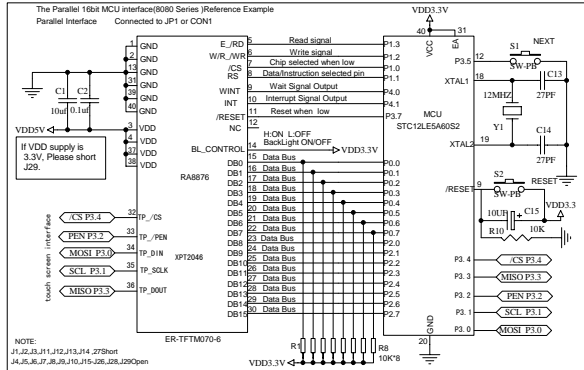


# Interfacing TFT LCD Module ER-TFTM070-6 with Resistive Touch Panel to MCU STC12LE5A60S2



RTP is the short for Resistive Touch Panel

REV		DESCRIPTION OF MODIFY	MODIFY BY	DATE	Title		Revision	
A0	1	'ST DESIGN	JIM	Nov-10-2017	Size	Number	ER-TFTM070-6 WITH RTP	Revision
					Date	Nov-10-2017	Sheet of	1
					File		Drawn By	JIM