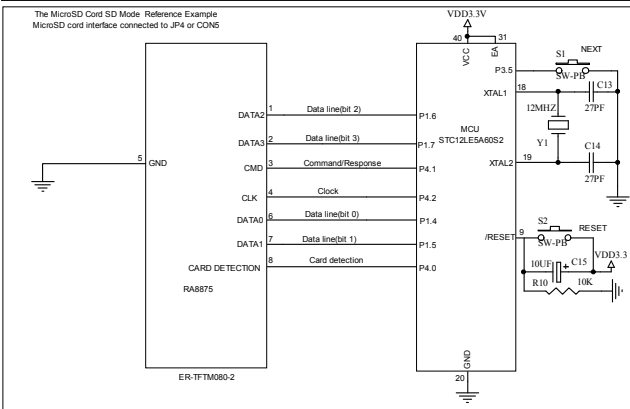
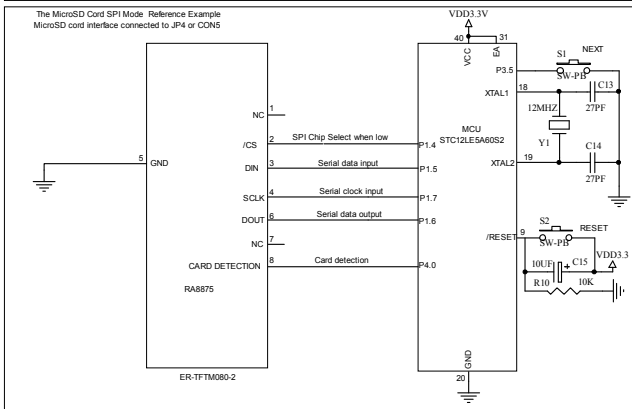
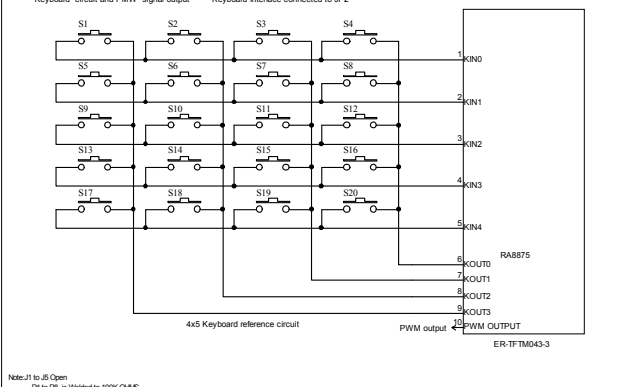
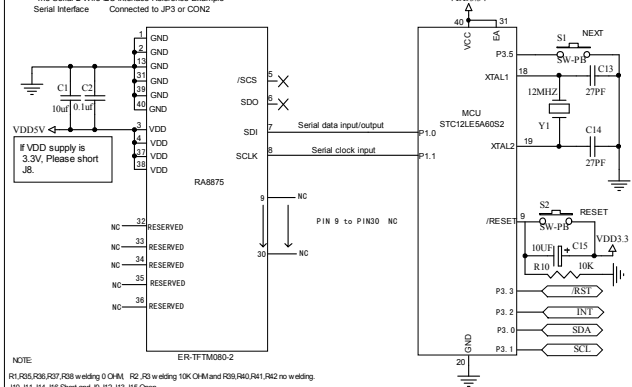
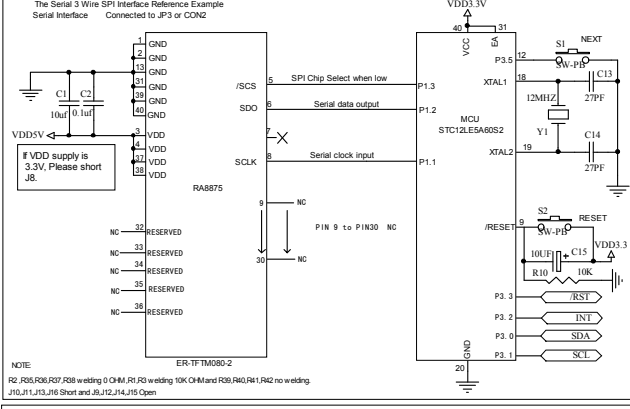
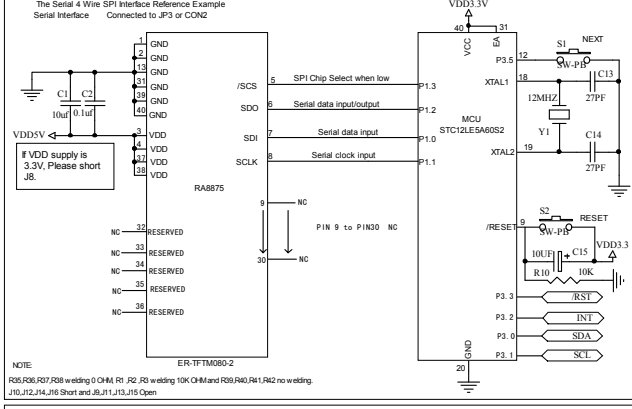
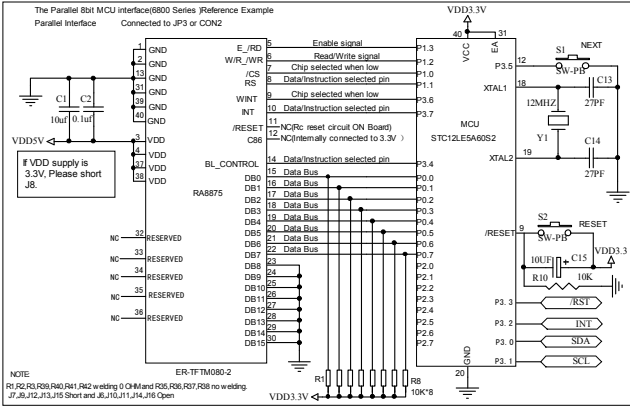
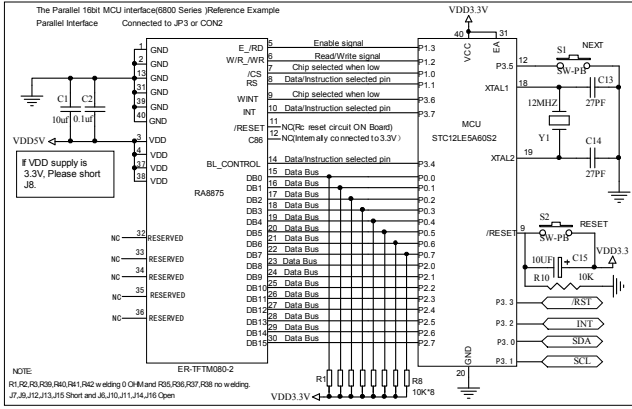
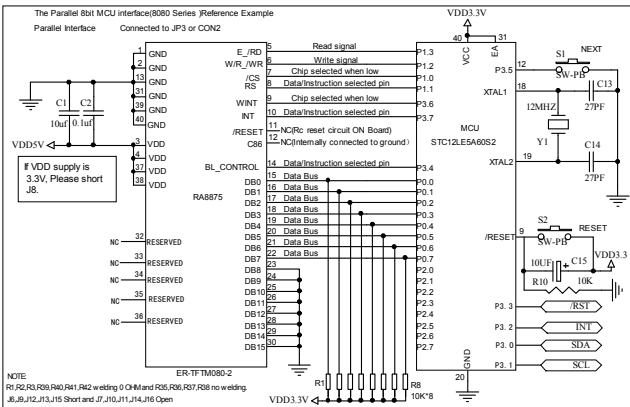
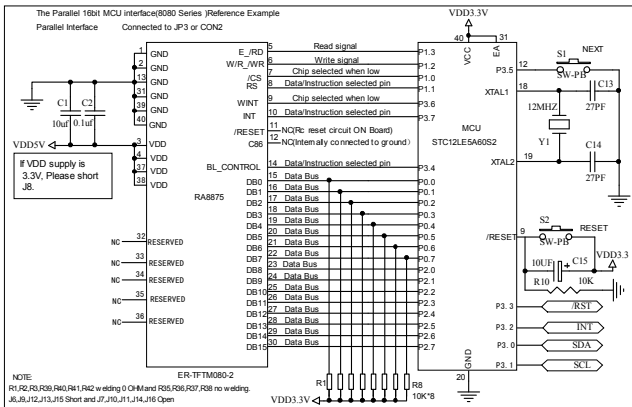


TFT LCD MODULE ER-TFTM080-2 to MCU STC12LE5A60S2 Interfacing



Title EASTRSING TECHNOLOGY CO.,LTD.				Size	Number	Revision	AD
REV.	DESCRIPTION OF MODIFY	MODIFY BY	DATE				
A0	1' ST DESIGN	JIM	Jun-12-2014				
Date: Jun-12-2014				Sheet of 1			
File				Drawn By JIM			