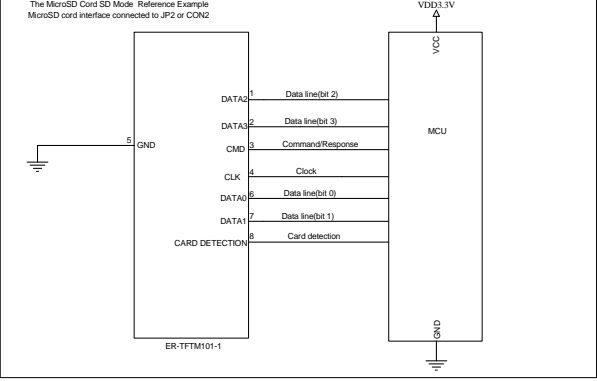
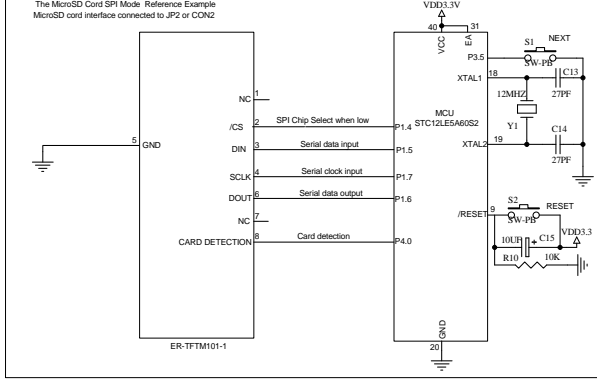
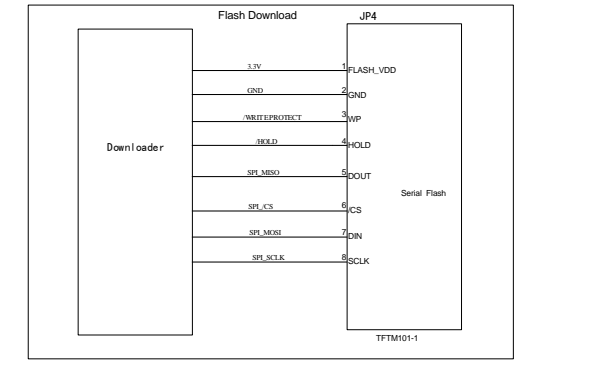
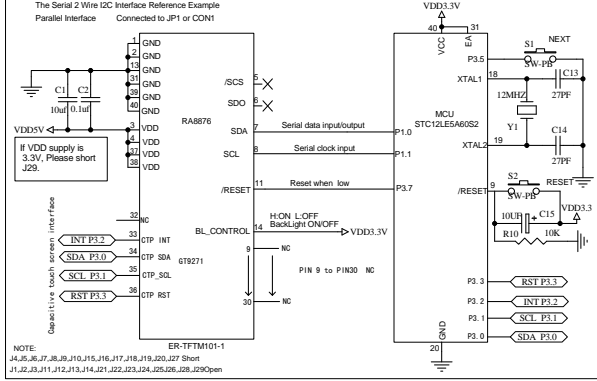
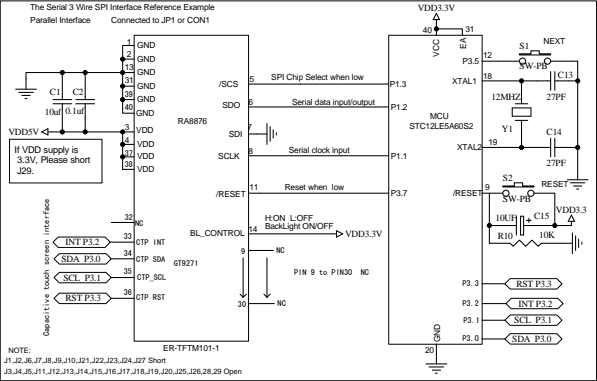
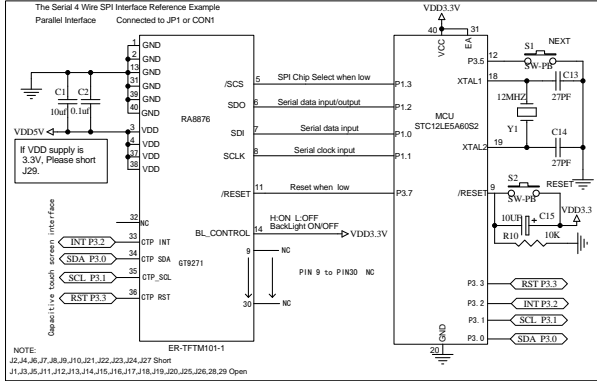
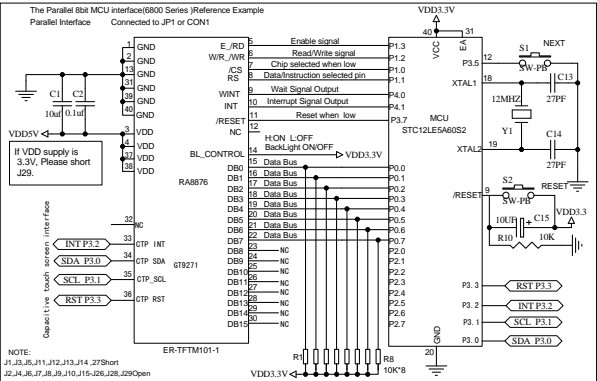
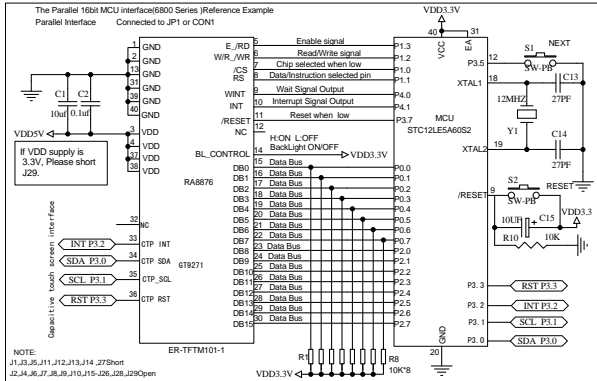
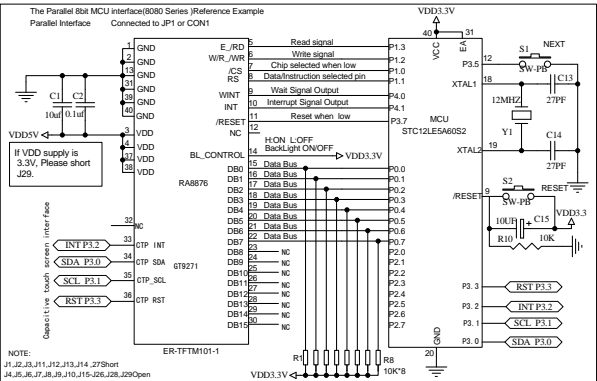
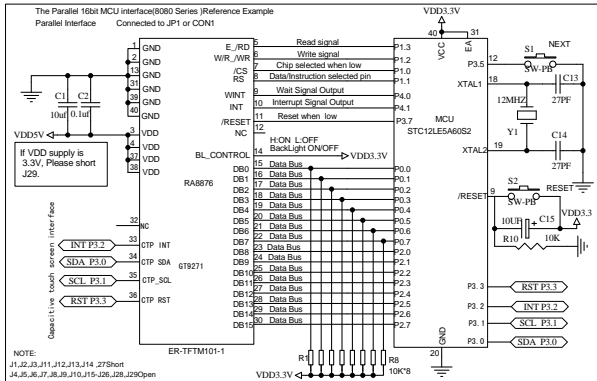


Interfacing TFT LCD Module ER-TFTM101-1 with Capacitive Touch Panel to MCU STC12LE5A60S2



REV.	DESCRIPTION OF MODIFY	MODIFY BY	DATE	Title	Size	Number	Revision
A0	1'ST DESIGN	JJM	Nov-12-2018	EASTRISING TECHNOLOGY CO.,LTD.	A	ER-TFTM101-1	A0
						Date: Nov-12-2018	1
						Sheet of	1
						Drawn By	JJM