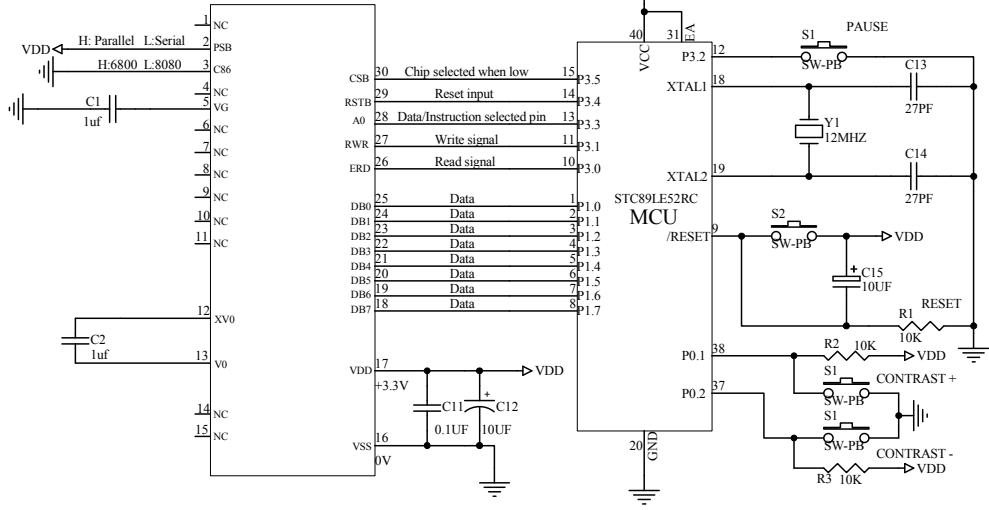
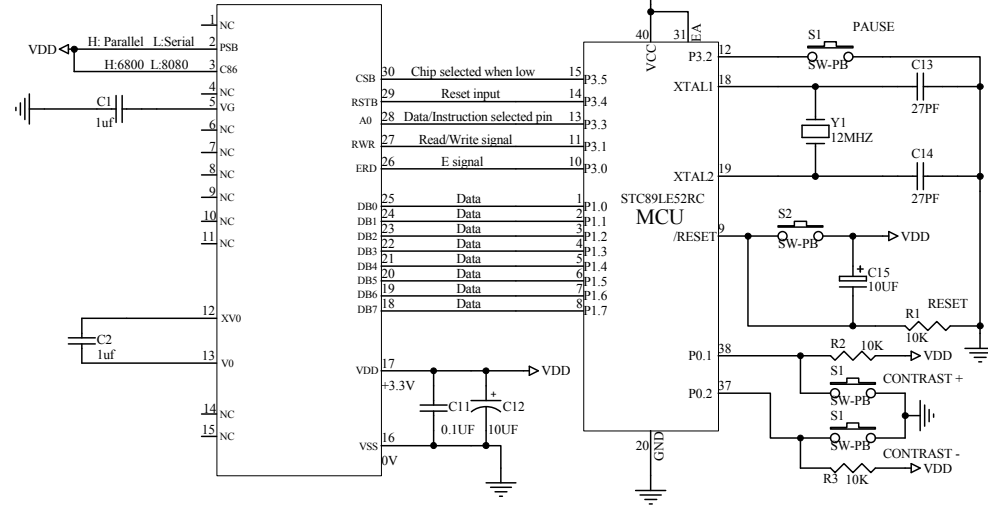


Interfacing LCD Modules to MCU STC89LE52RC

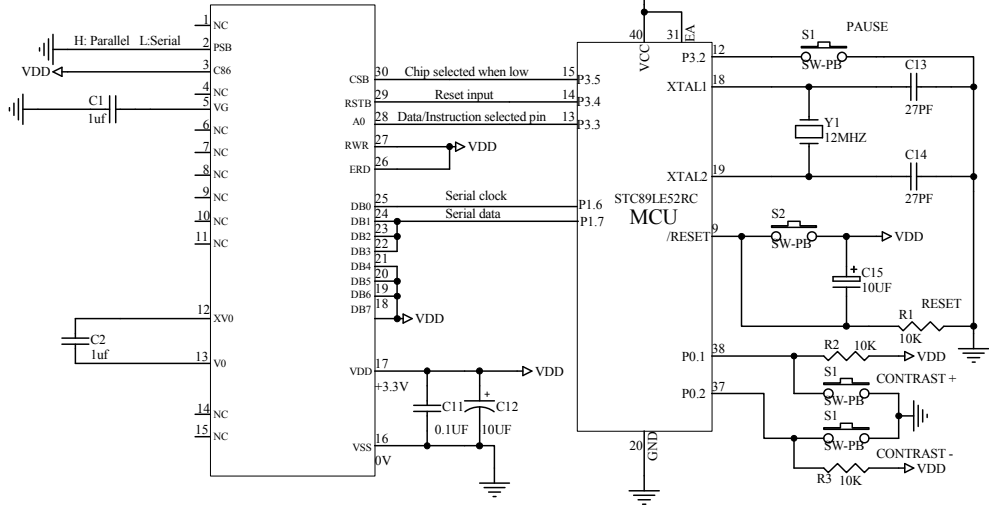
The Parallel (8080 Series MCU) Reference Example



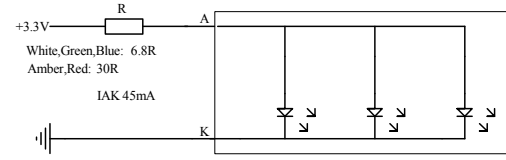
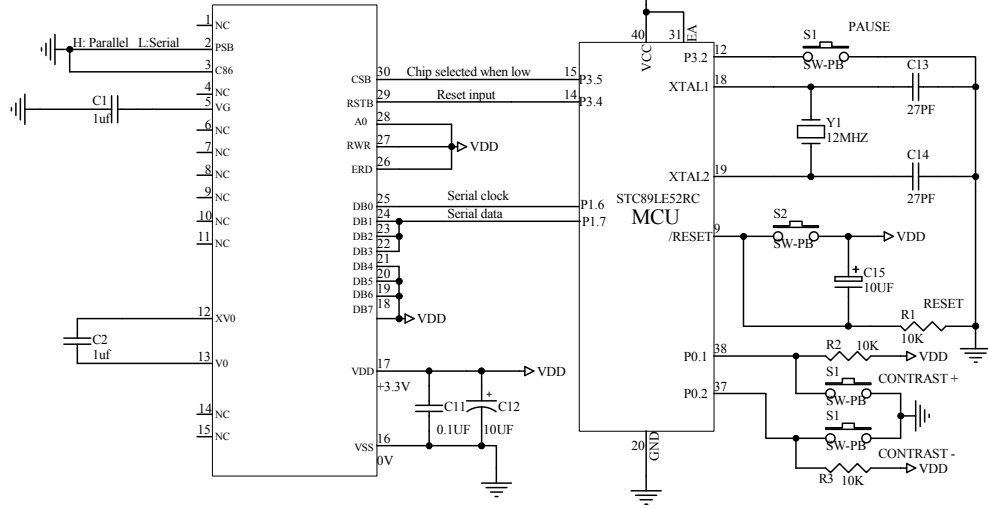
The Parallel (6800 Series MCU) Reference Example



The Serial (4wire SPI) Reference Example



The Serial (3wire SPI) Reference Example



LED Backlight

Title EASTRISING TECHNOLOGY CO.,LTD.			
Size A	Number ERC12864-4-S7 Series	Revision A0	
Date: 07-Jul-2021	Sheet of 1		
File	Drawn By Javen		