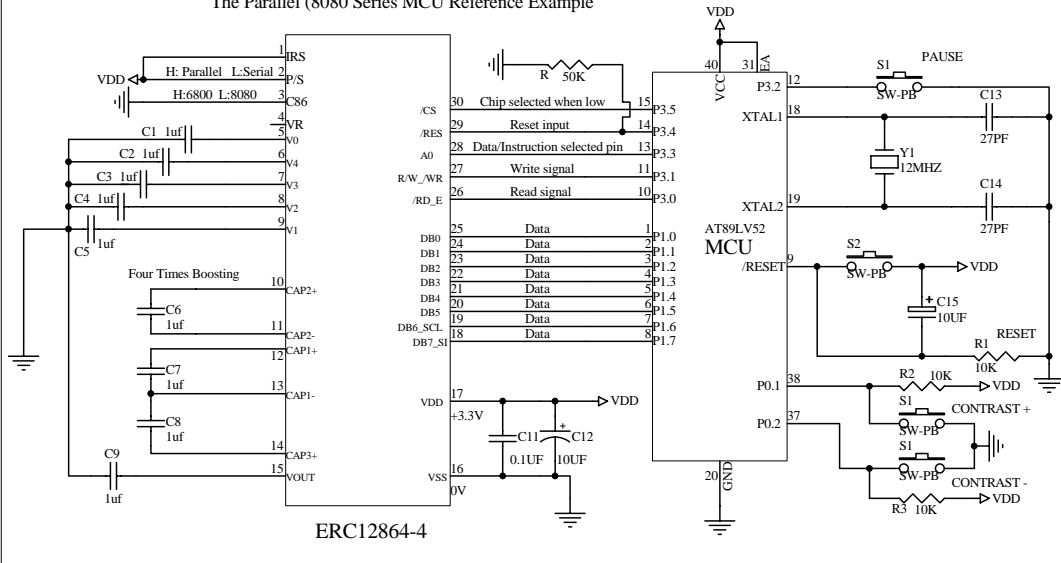
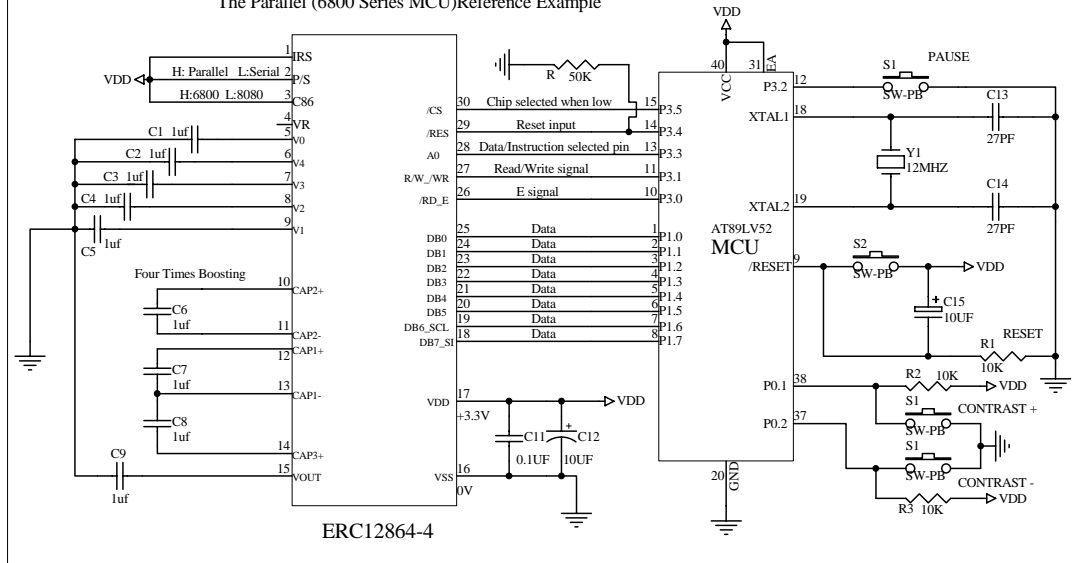


Interfacing LCD Modules to the AT89LV52 MCU

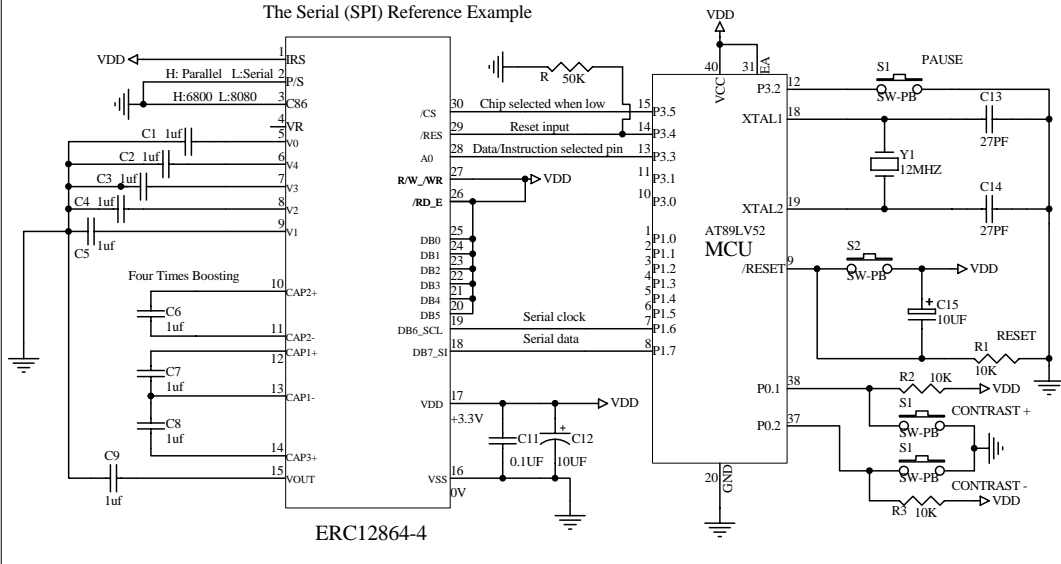
The Parallel (8080 Series MCU Reference Example



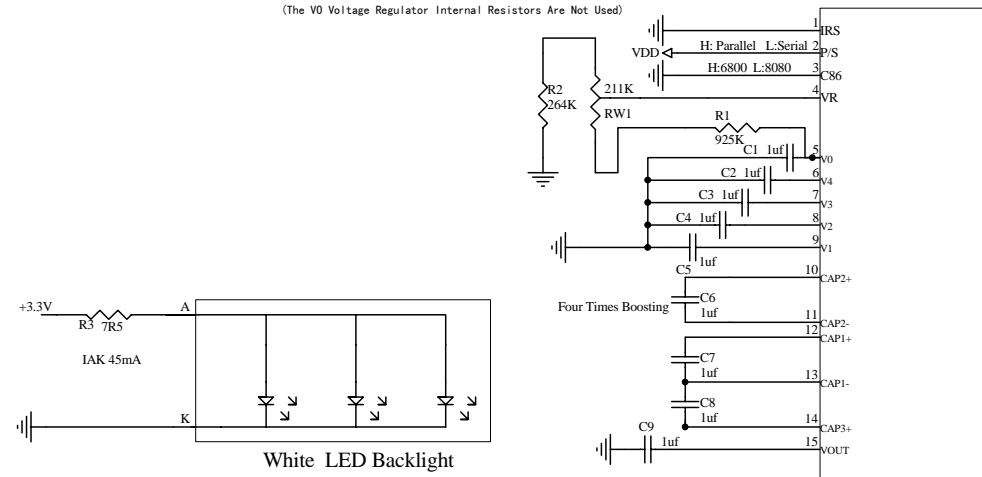
The Parallel (6800 Series MCU) Reference Example



The Serial (SPI) Reference Example



When an External Resistance is Used
(The V0 Voltage Regulator Internal Resistors Are Not Used)



Title EASTRISING TECHNOLOGY CO.,LTD.		
Size A	Number ERC12864-4	Revision A0
Date: 19-Jun-2009	Sheet of 1	
File	Drawn By Javen	