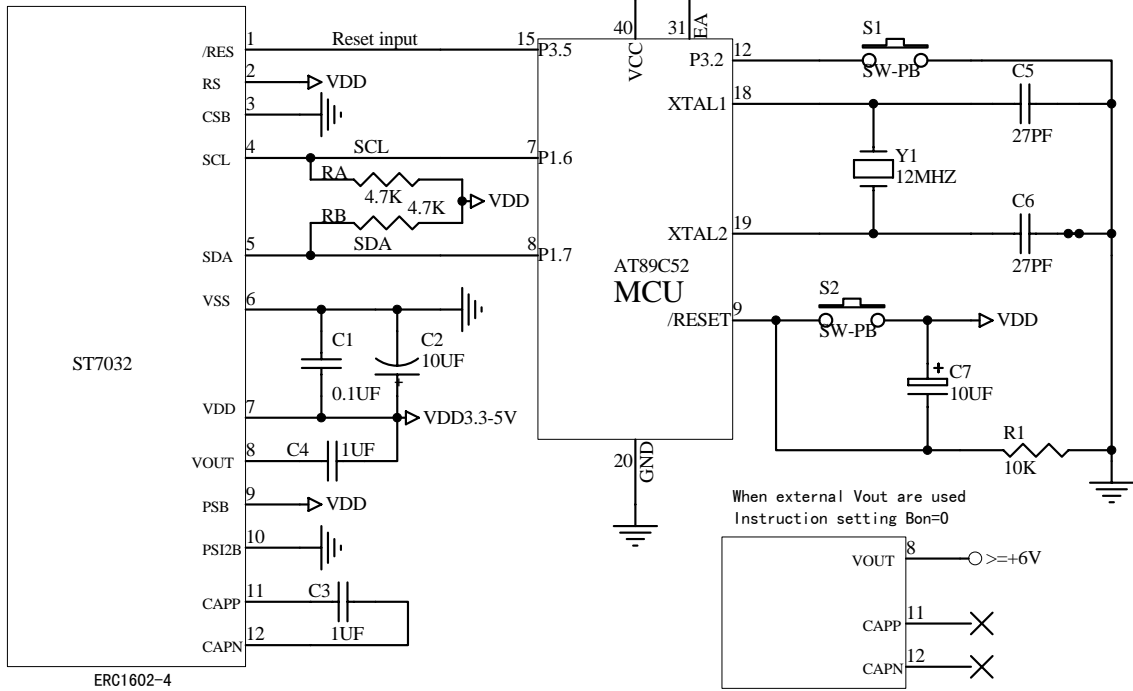


Interfacing LCD Modules to the AT89C52 MCU

The Serial I2C Reference Example

VDD :3.3-5.0V

When built-in booster
Instruction setting Bon=1

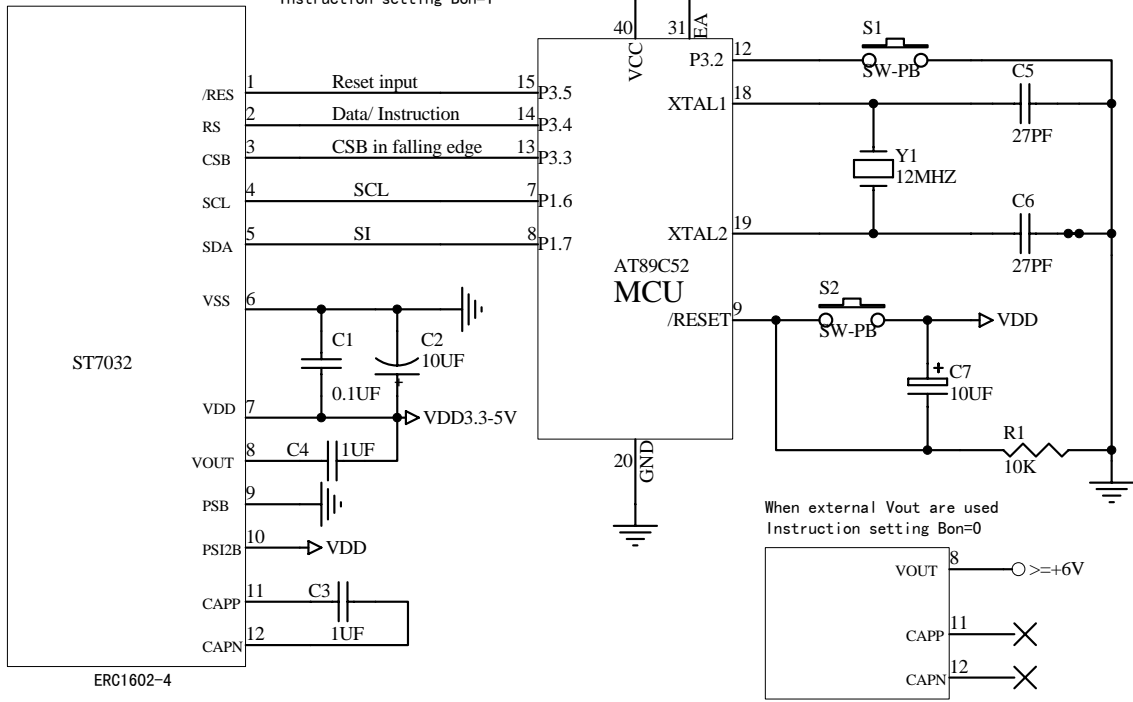


ERC1602-4

The Serial 4Line SPI Reference Example

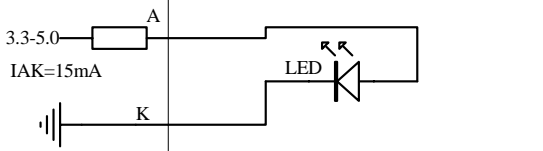
VDD :3.3-5.0V

When built-in booster
Instruction setting Bon=1



ERC1602-4

LED Backlight



Title **EASTRISING TECHNOLOGY CO.,LTD.**

Size	Number	Revision
A	ERC1602-4 Series	A0

Date:	20-May-2013	Sheet of	1
File		Drawn By	Javen