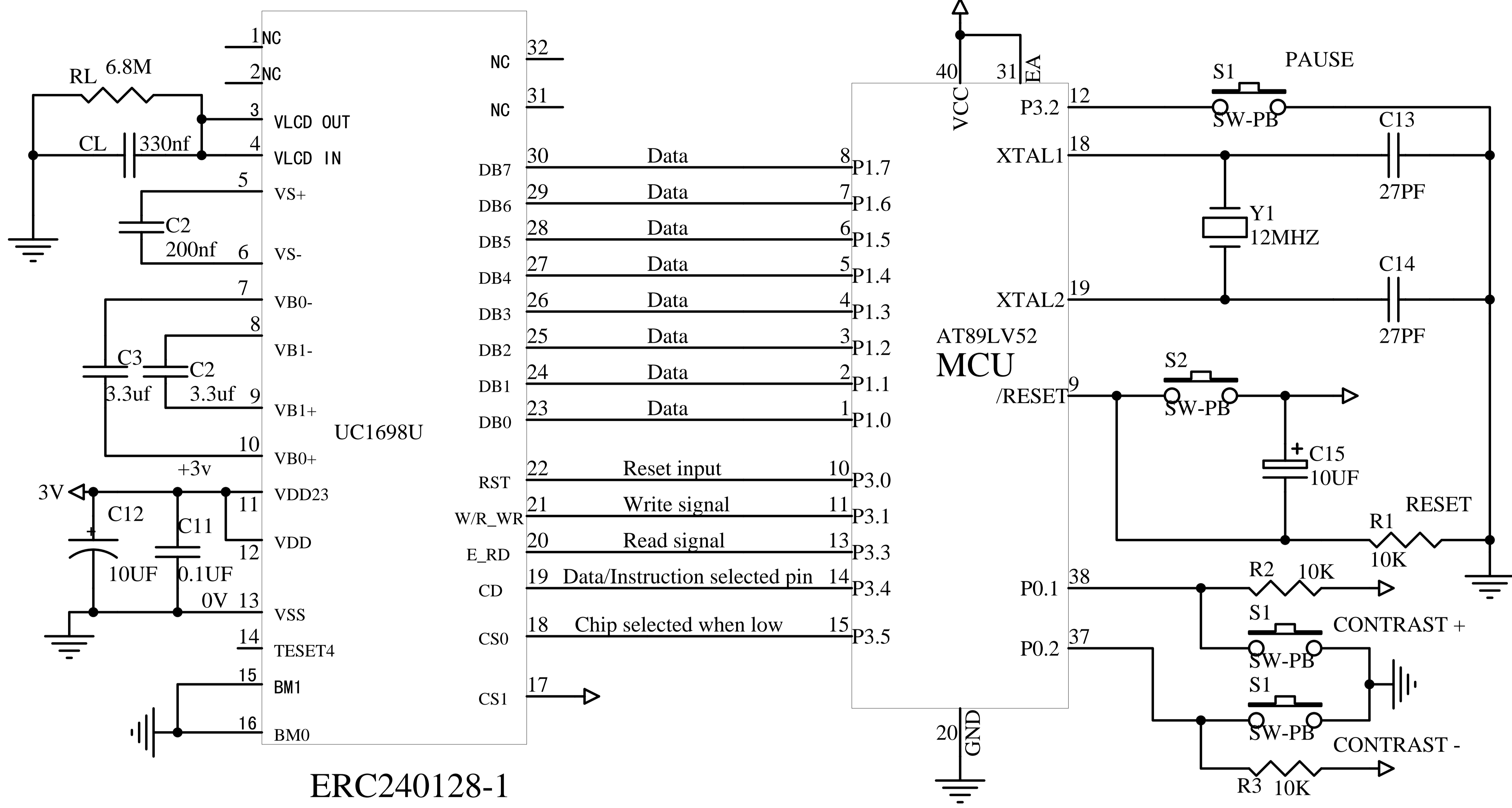


Interfacing LCD Modules to the AT89LV52 MCU

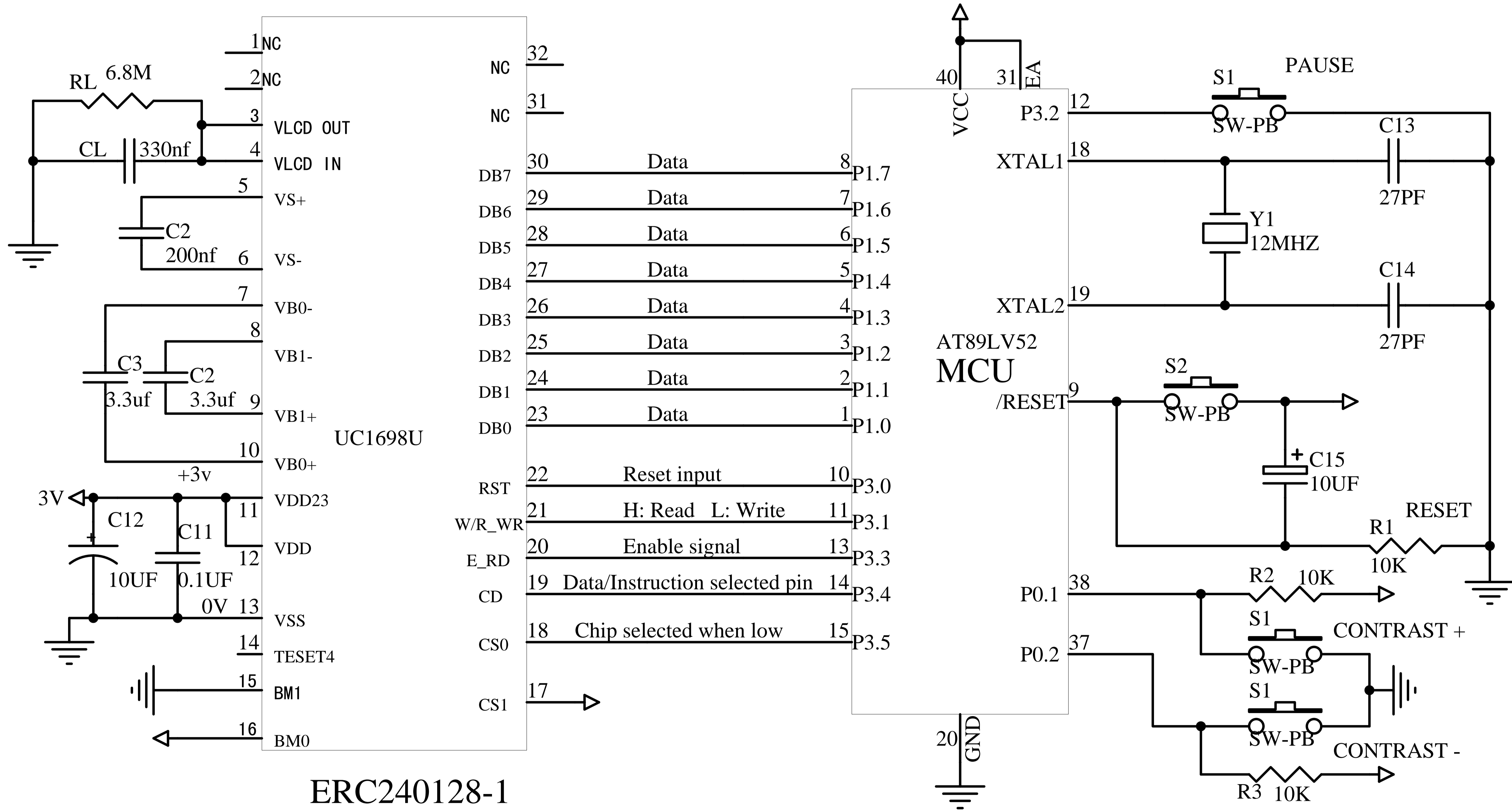
The Parallel (8080 8bit Series MCU) Reference Example

Reference circuit using internal Hi-V generator circuit

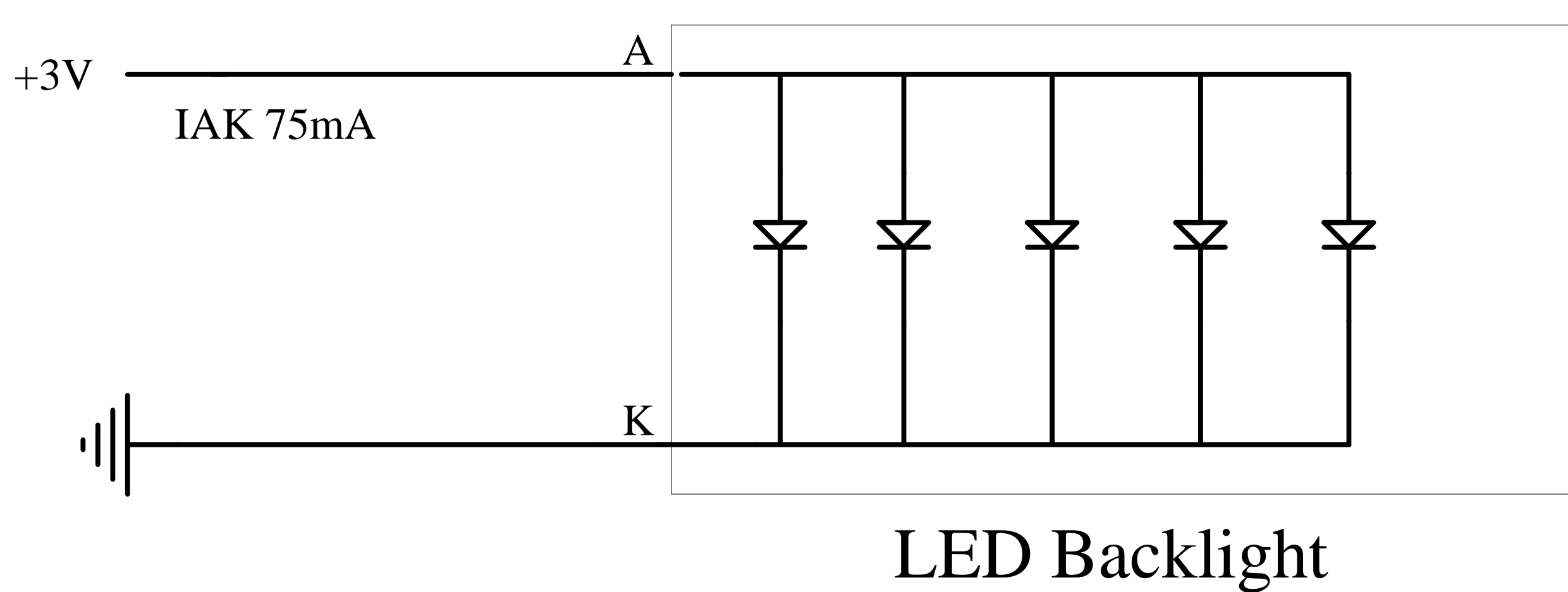


The Parallel (6800 8bit Series MCU) Reference Example

Reference circuit using internal Hi-V generator circuit



RST pin is optional. When RST pin is not used, connect the pin to VDD



Title			EASTRISING TECHNOLOGY CO.,LTD.		
Size	Number	Revision			
A	ERC240128-1	A0			
Date:	18-Apr-2011	Sheet of	1		
File		Drawn By	Javen		