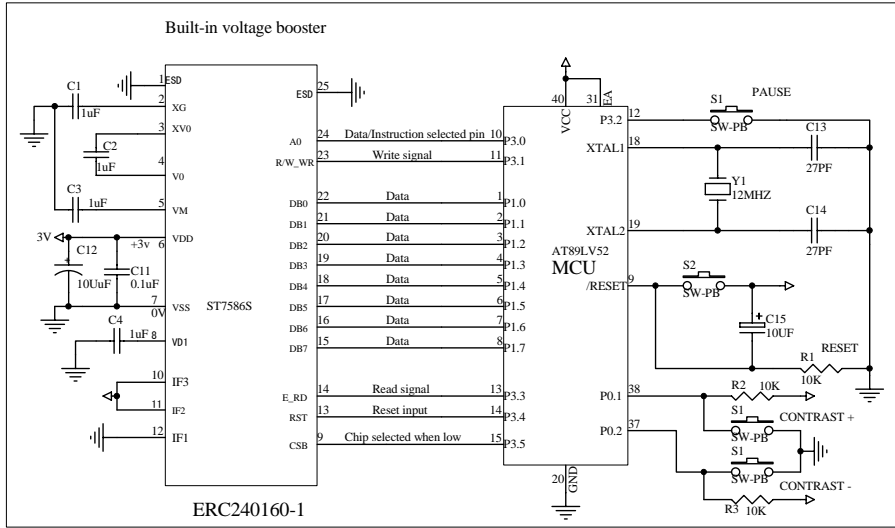
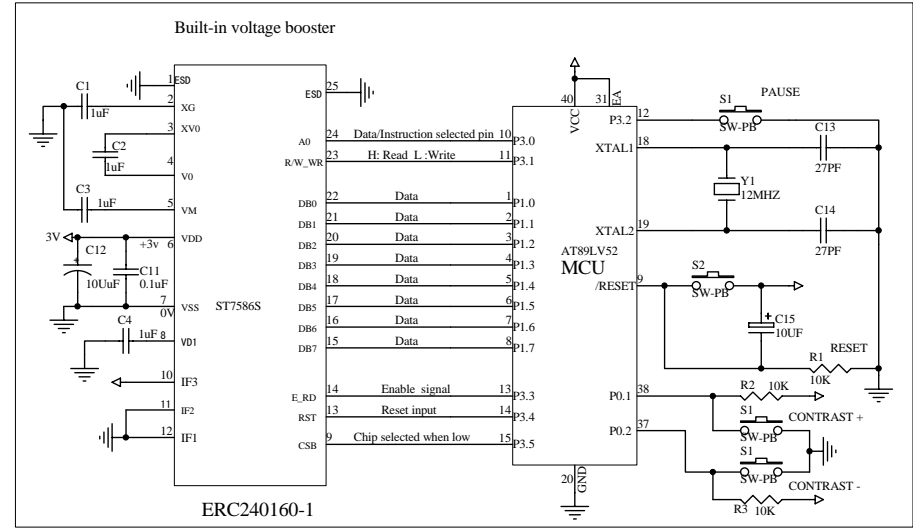


Interfacing LCD Modules to the AT89LV52 MCU

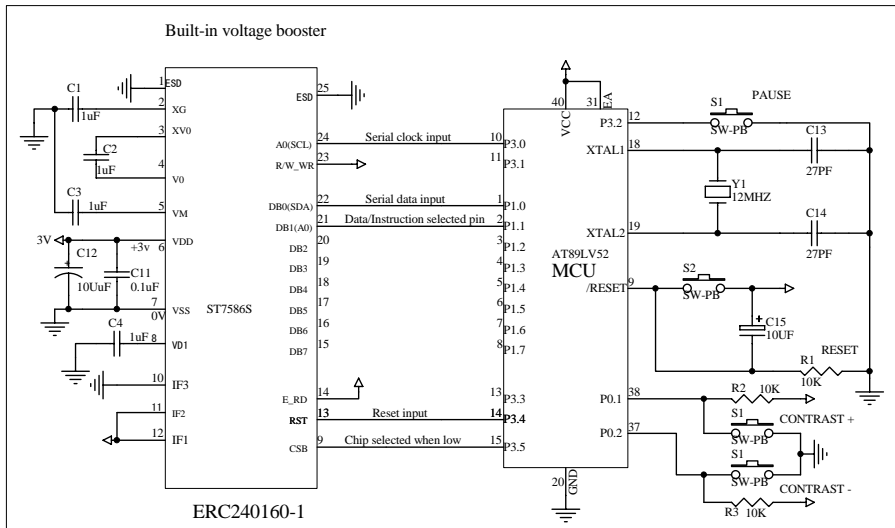
The Parallel (8080 8bit Series MCU)Reference Example



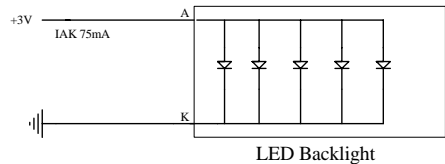
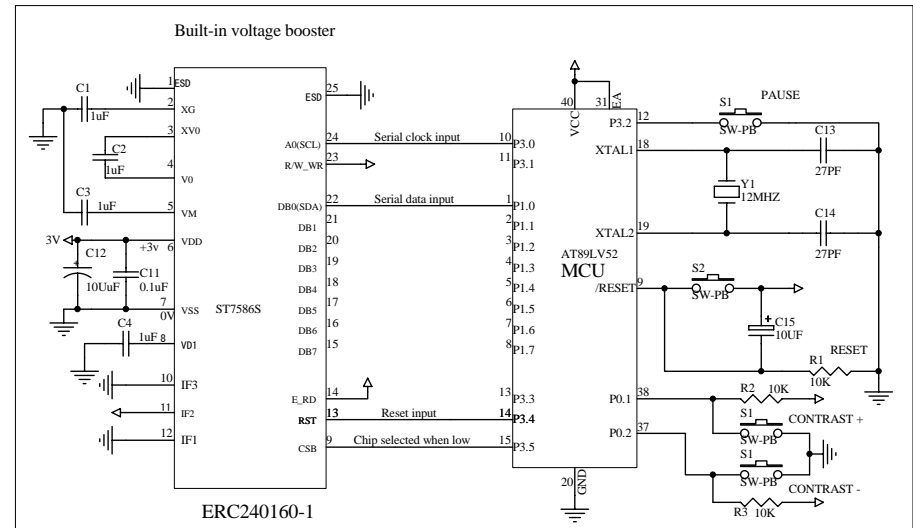
The Parallel (6800 8bit Series MCU)Reference Example



The Serial (4 LINE SPI S8)Reference Example



The Serial (3 LINE SPI S9)Reference Example



RST pin is optional. When RST pin is not used ,connect the pin to VDD

REV	MODIFY BY	DATE	DESCRIPTION OF MODIFY
A0	JIM	2011.4.18	1 ST DESIGN
A1	JIM	2012.12.12	MODIFY CSB NUMBER AND VDI EXTERNAL CIRCUIT

Title **EASTRISING TECHNOLOGY CO.,LTD.**

Size	Number	Revision
A	ERC240160-1	A0

Date:	12-Dec-2012	Sheet of	1
File:		Drawn By	Javen