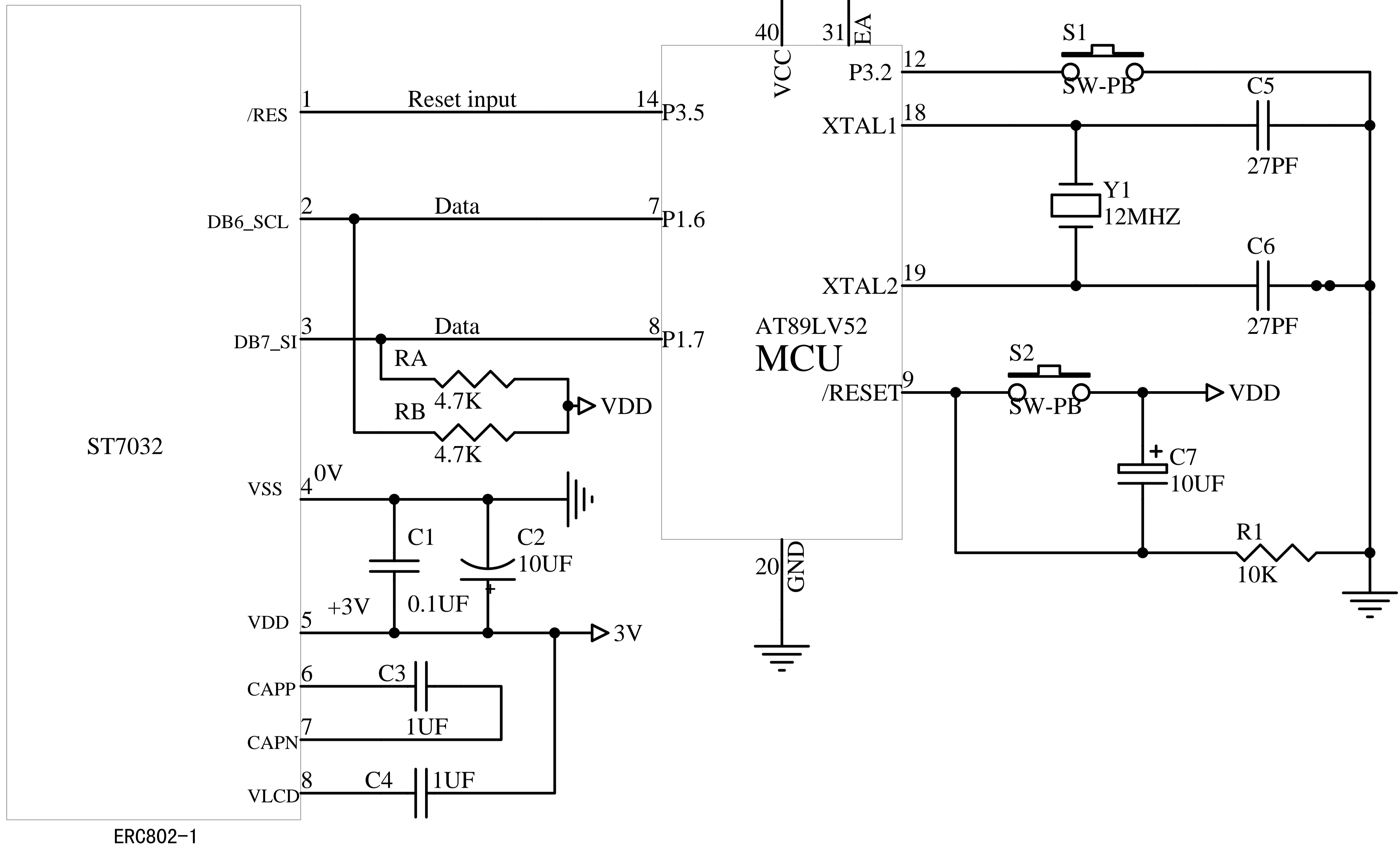


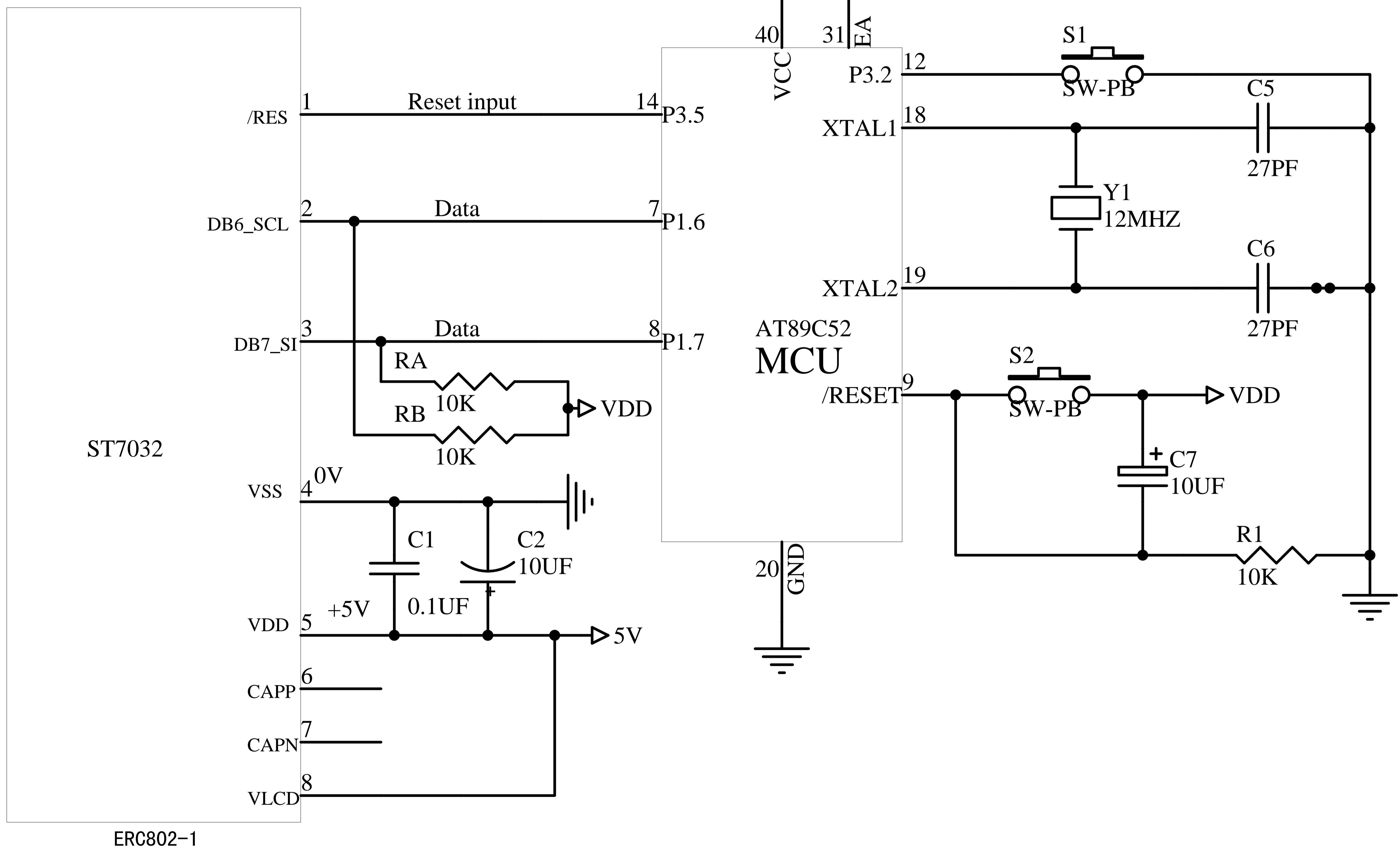
Interfacing LCD Modules to the AT89LV52 MCU

The Serial I2C Reference Example

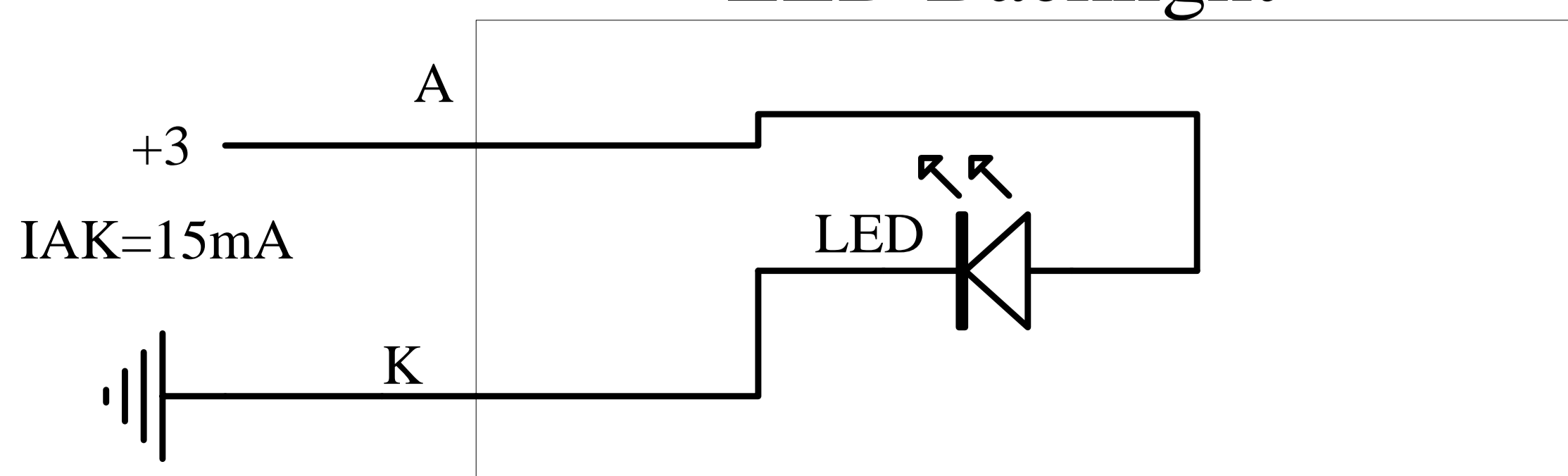
VDD :3V When built-in booster



VDD:5V External VLCD The Serial I2C Reference Example



LED Backlight



Title EASTRISING TECHNOLOGY CO.,LTD.		
Size A	Number ERC802-1	Revision A0
Date:	19-Jun-2009	Sheet of 1
File		Drawn By Javen