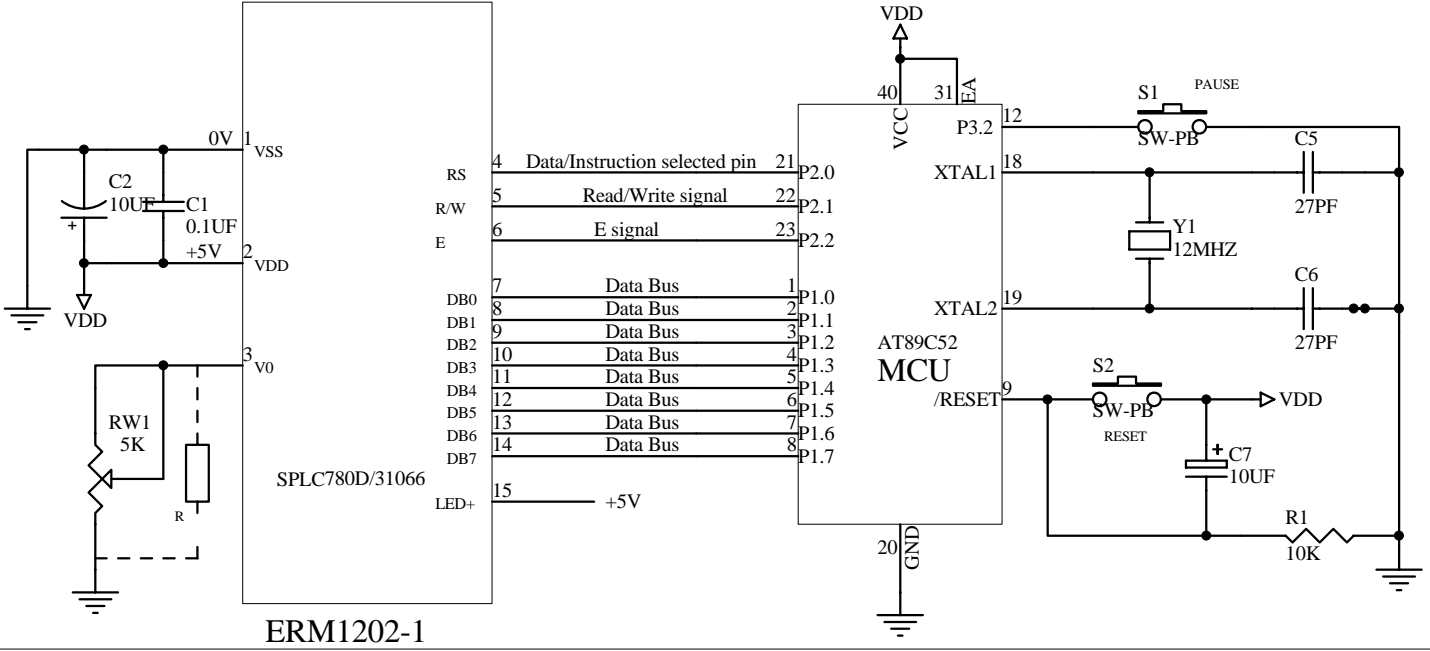


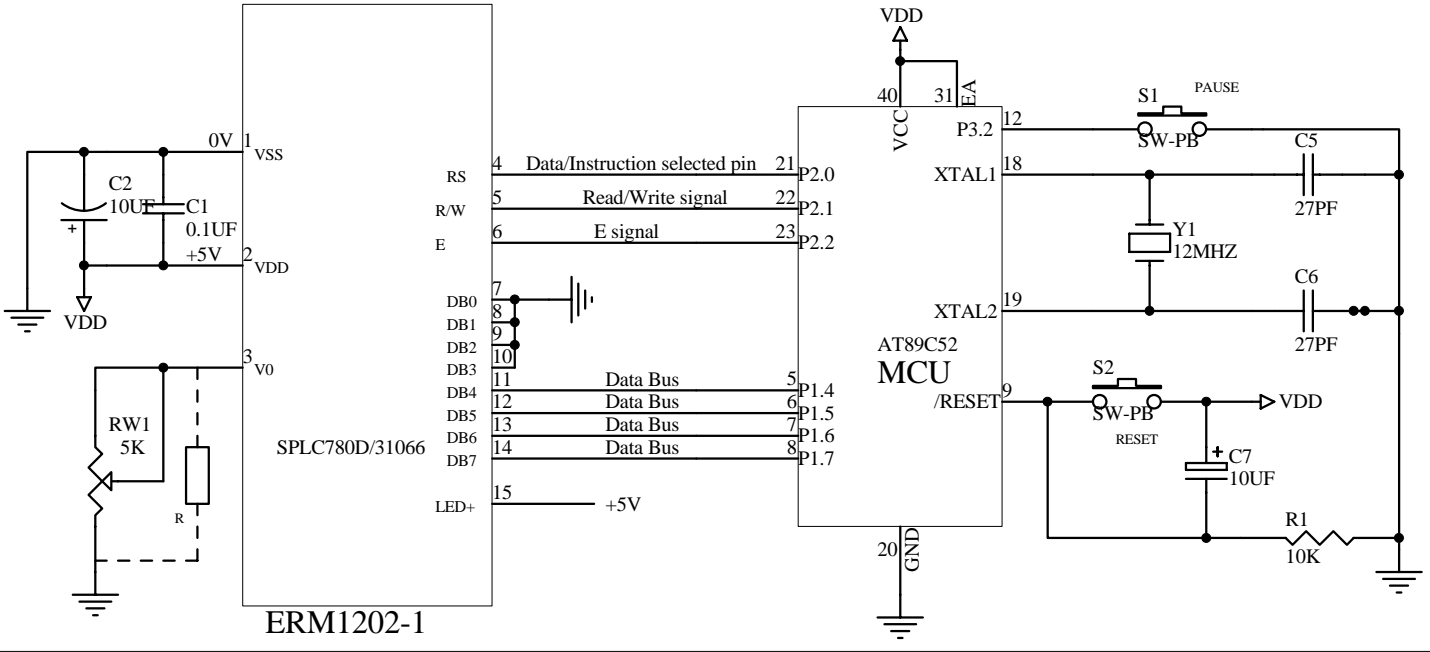
# Interfacing 5V Character LCD Module (ERM1202-1 Series) to MCU AT89C52

## The Parallel 8Bit(6800 Series MCU)Reference Example



ERM1202-1

## The Parallel 4Bit(6800 Series MCU)Reference Example

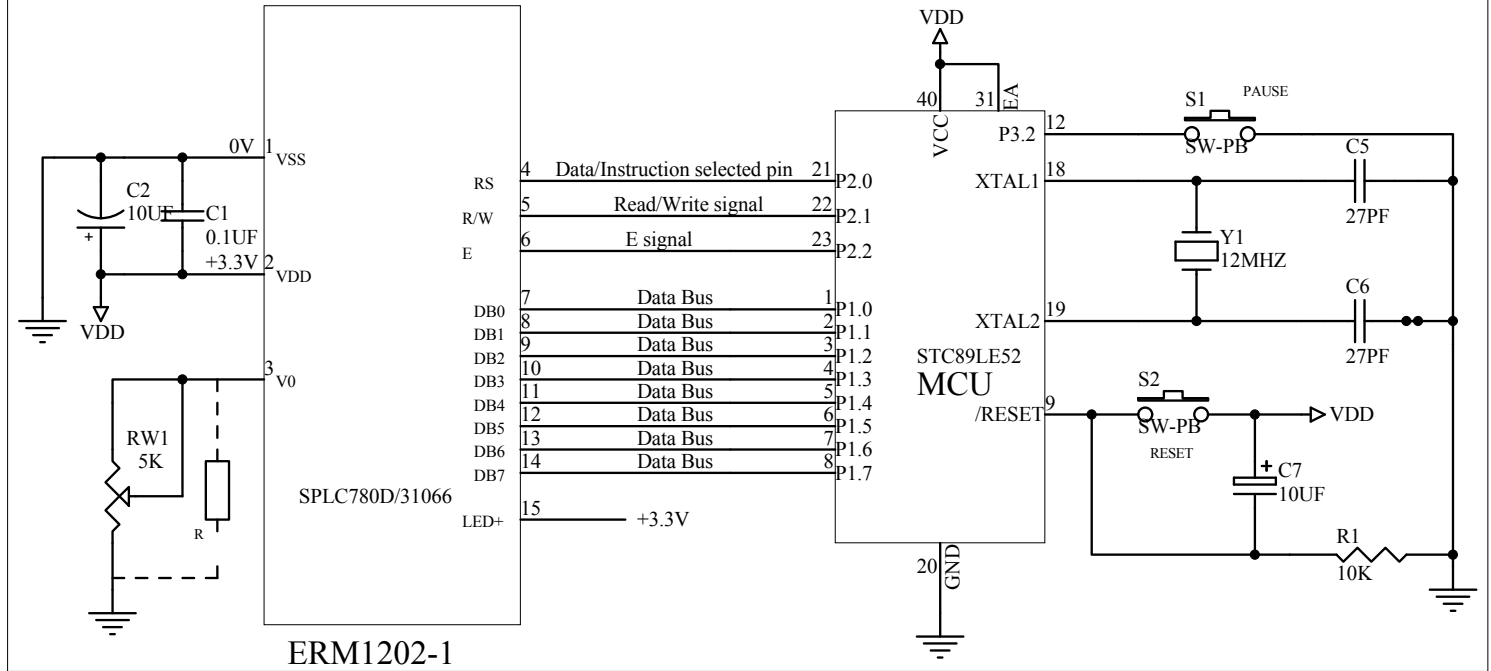


ERM1202-1

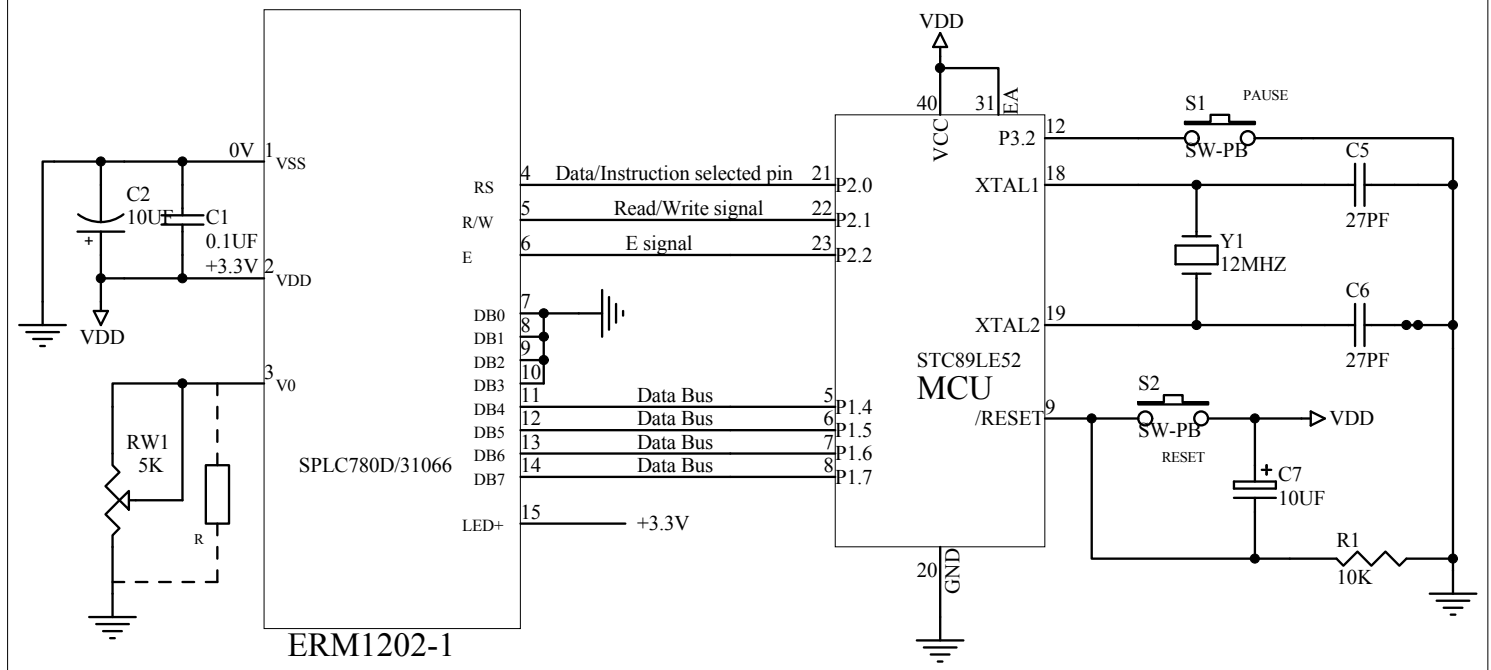
Title			<b>EASTRISING TECHNOLOGY CO.,LTD.</b>		
Size	Number	Revision			
A	ERM1202-1	A0			
Date:	2010-04-23	Sheet of	1		
File		Drawn By	Javen		

# Interfacing 3.3V Character LCD Module (ERM1202-1 Series) to MCU AT89C52

## The Parallel 8Bit(6800 Series MCU)Reference Example



## The Parallel 4Bit(6800 Series MCU)Reference Example



NOTE:When variable resistor RW1 is use,resistor R don't use

Title <b>EASTRISING TECHNOLOGY CO.,LTD.</b>			
Size A	Number ERM1202-1	Revision A0	
Date: File	30-Mar-2016	Sheet of Drawn By	1 Javen