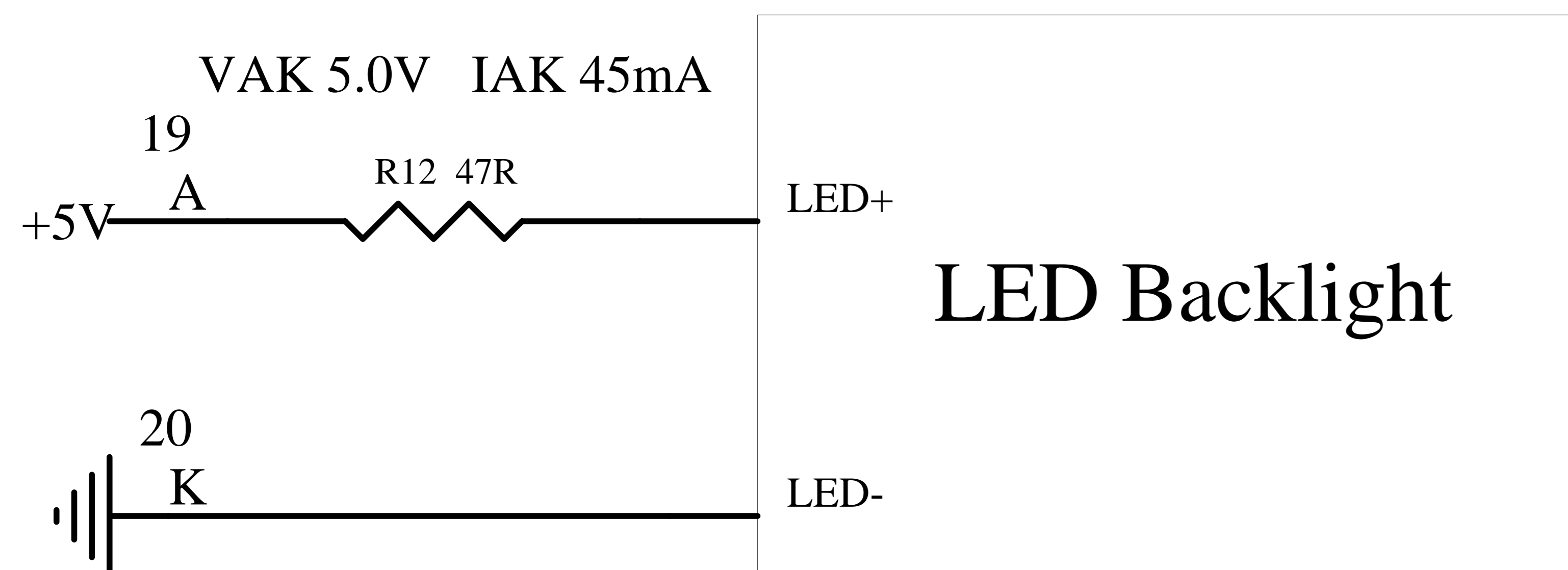
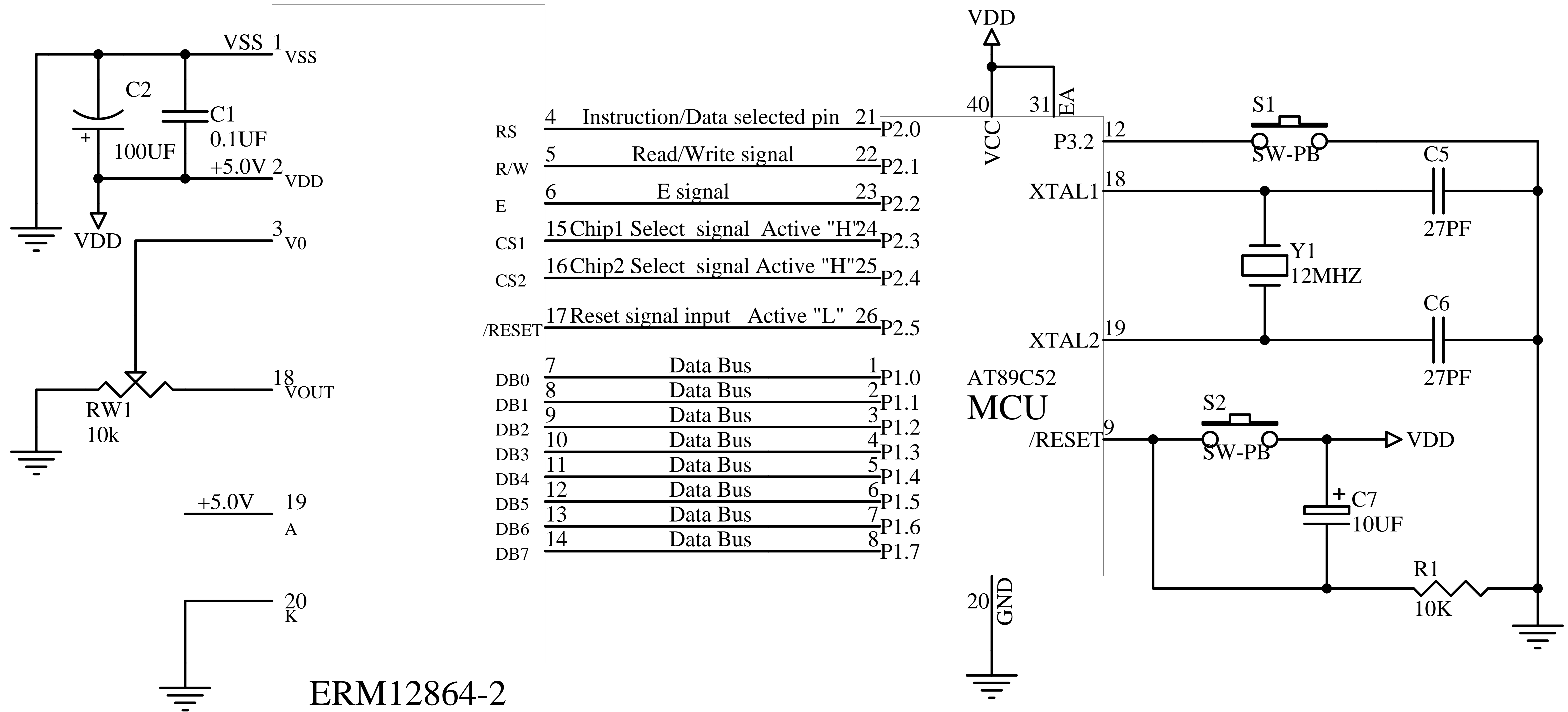


# Interfacing LCD Modules to the AT89C52 MCU

## The Parallel 8Bit(6800 Series MCU)Reference Example



Title			<b>EASTRISING TECHNOLOGY CO.,LTD.</b>		
Size	Number	Revision			
A	ERM12864-2	A0			
Date:	25-Sep-2009	Sheet of	1		
File		Drawn By	Javen		