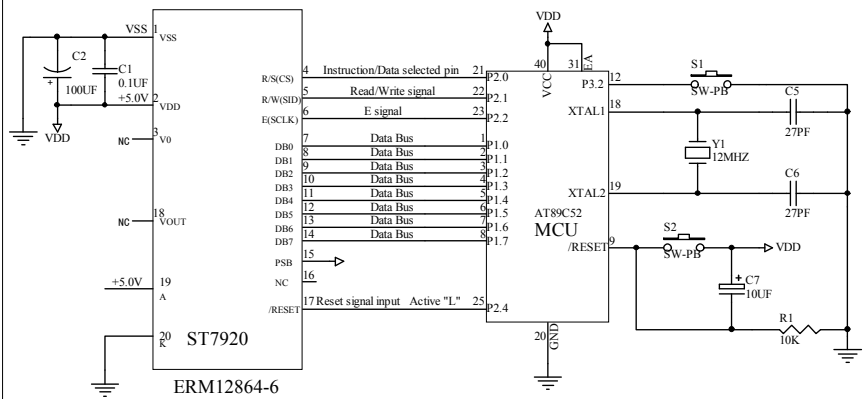


Interfacing LCD Modules to the AT89C52 MCU

5V LCD Modules to the VDD: 5V

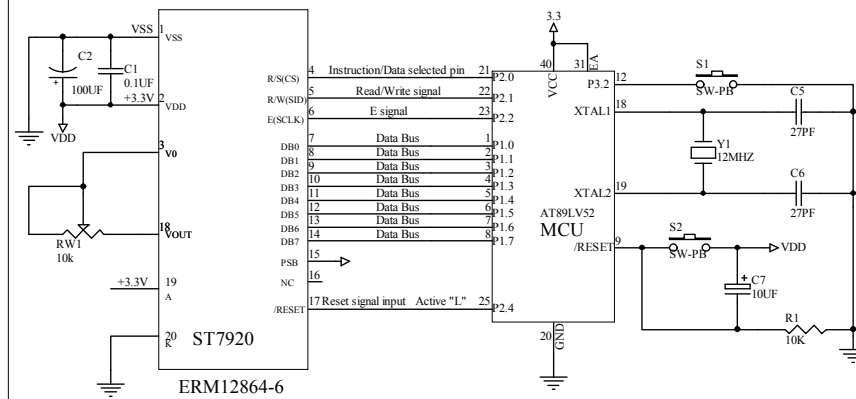
The Parallel 8Bit(6800 Series MCU)Reference Example



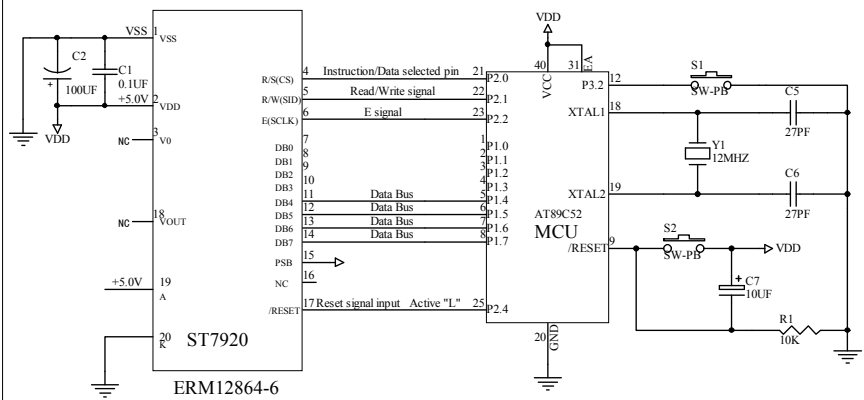
Interfacing LCD Modules to the AT89LV52 MCU

3.3V LCD Modules to the VDD: 3.3V

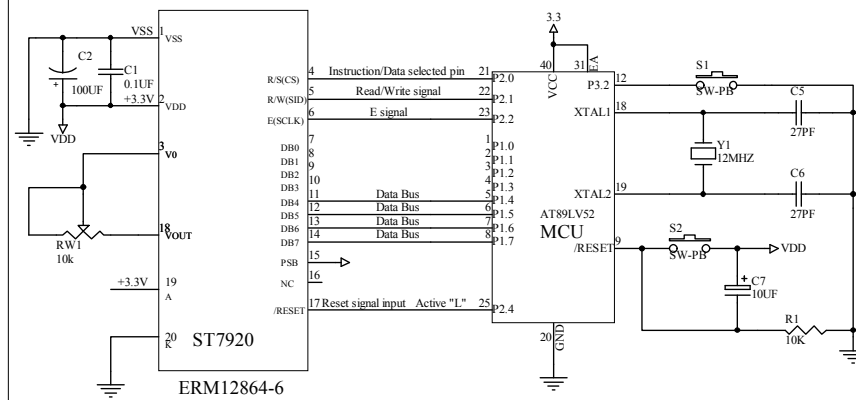
The Parallel 8Bit(6800 Series MCU)Reference Example



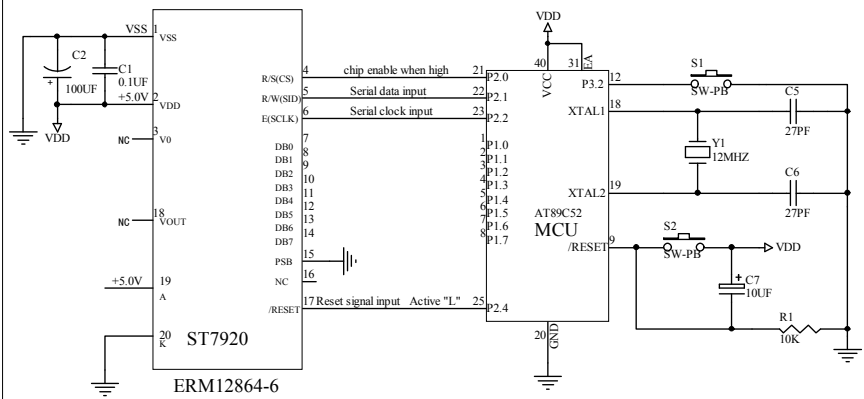
The Parallel 4Bit(6800 Series MCU)Reference Example



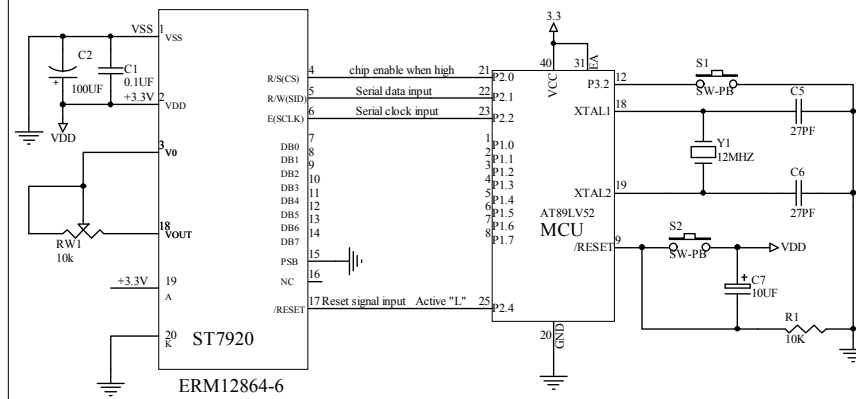
The Parallel 4Bit(6800 Series MCU)Reference Example



The Serial interface Referencing Example



The Serial interface Referencing Example



Title **EASTRISING TECHNOLOGY CO.,LTD.**

REV.	DESCRIPTION OF MODIFY	MODIFY BY	DATE	Size	Number	Revision
A0	1' ST DESIGN	JIM	Sep-25-2010	A	ERM12864-6	A0
A1	2' ED DESIGN	JIM	Oct-09-2013	Date:	Sep-25-2009	Sheet of 1
A2	3' TH DESIGN	JIM	Apr-19-2017	File:		Drawn By Javen