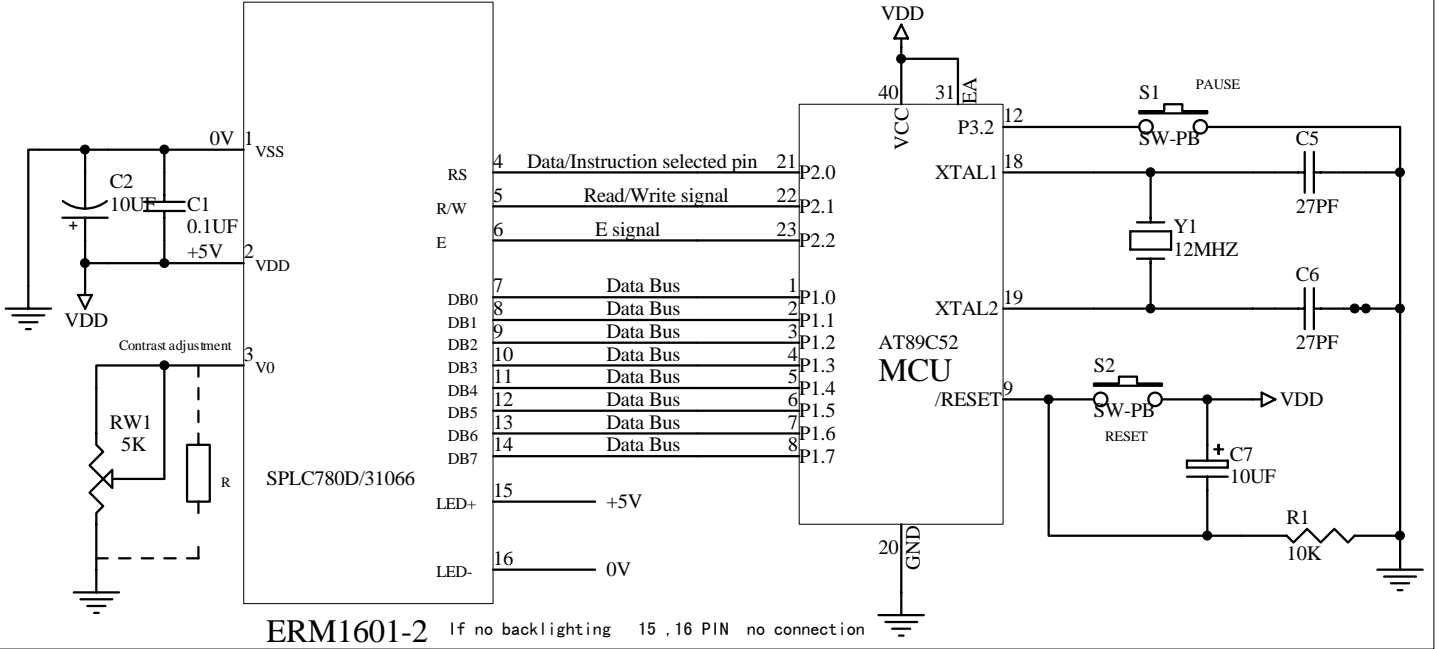
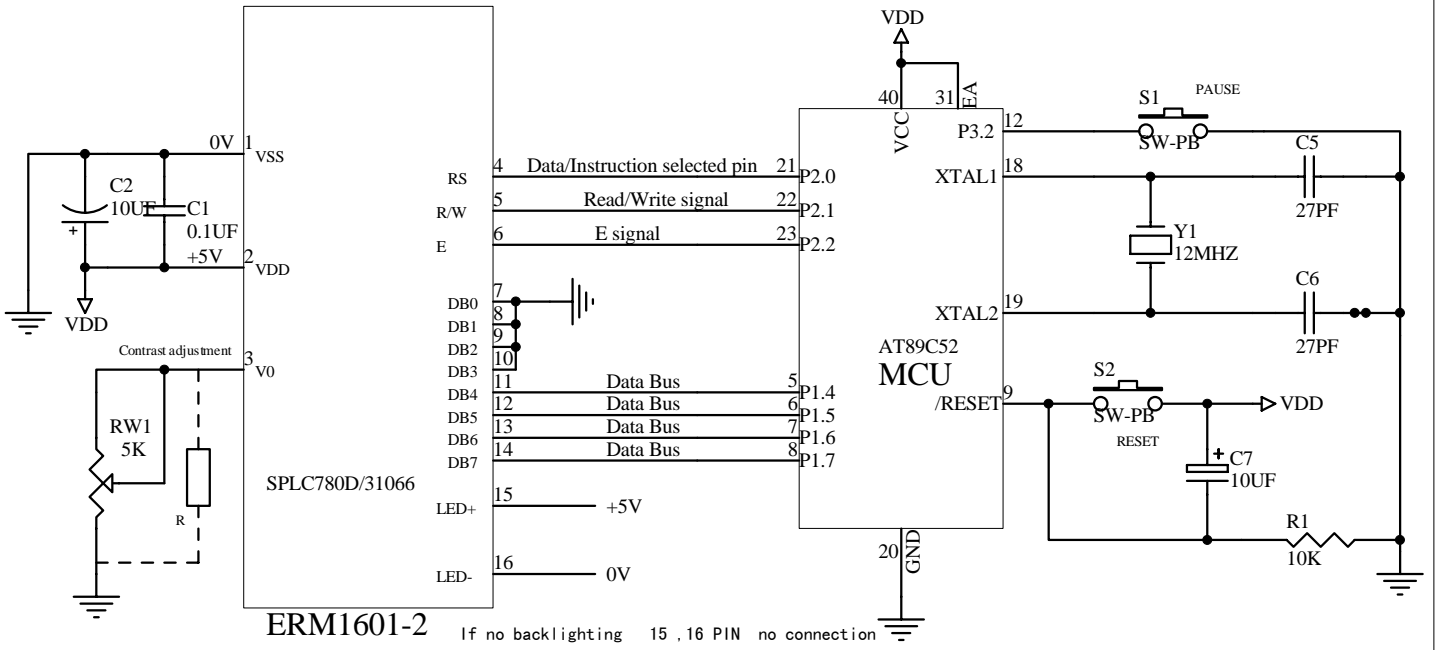


# Interfacing 5V Character LCD Module (ERM1601-2 Series) to MCU AT89C52

## The Parallel 8Bit(6800 Series MCU)Reference Example



## The Parallel 4Bit(6800 Series MCU)Reference Example

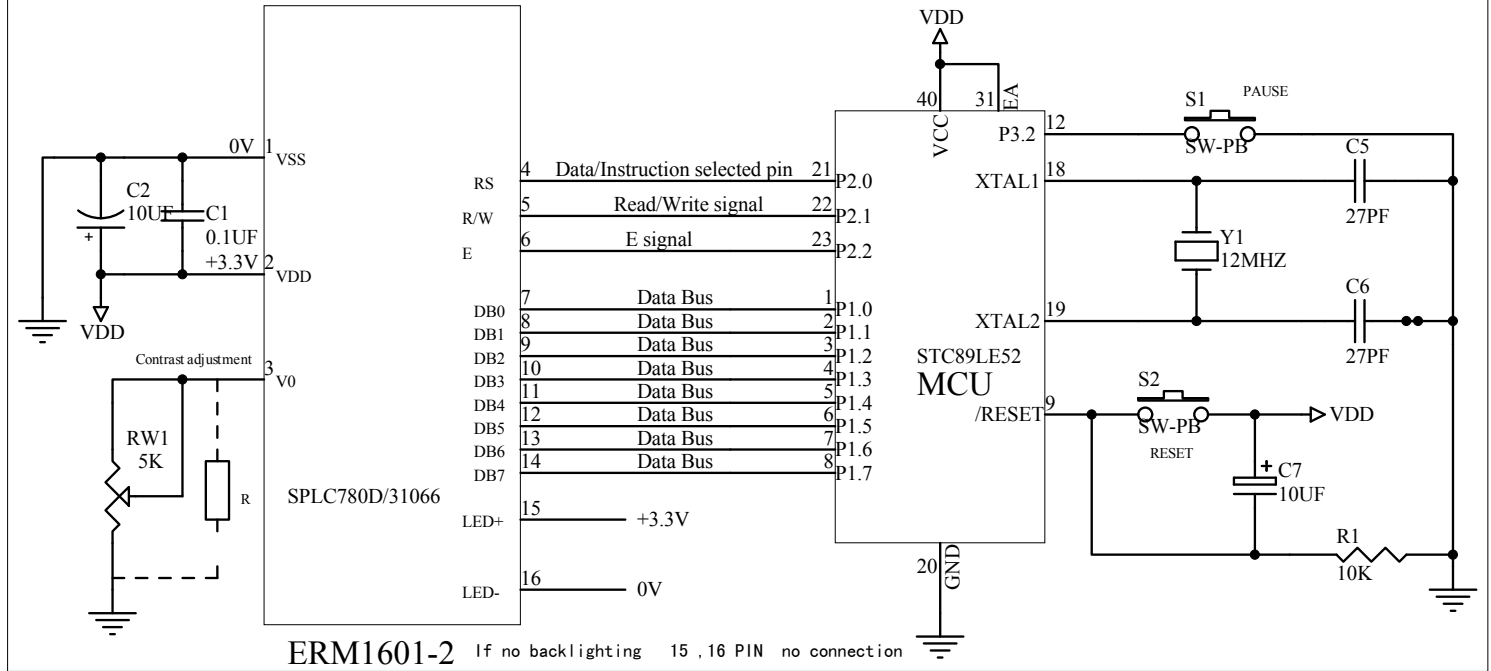


NOTE:When variable resistor RW1 is use,resistor R don't use

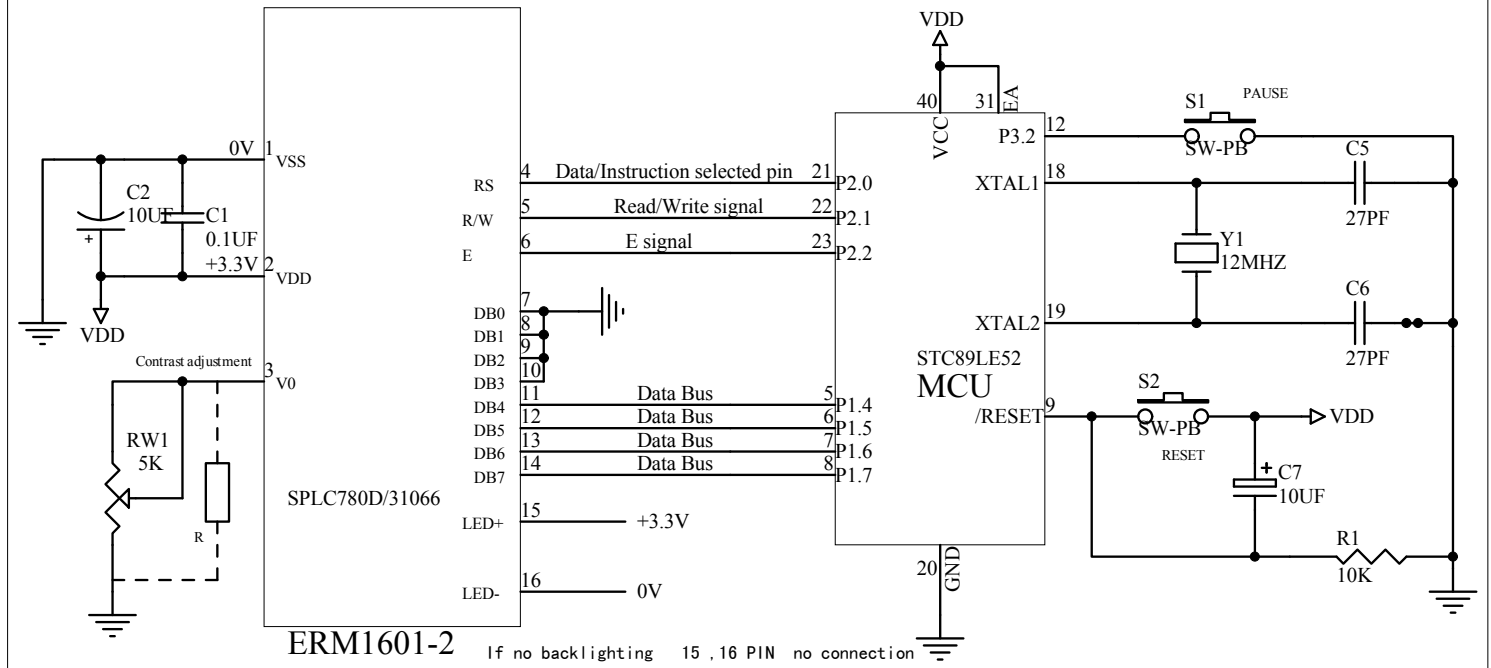
Title			<b>EASTRISING TECHNOLOGY CO.,LTD.</b>		
Size	Number	ERM1601-2		Revision	A0
Date:	14-OCT-2010	Sheet of	1		
File		Drawn By	Jim		

# Interfacing 3.3V Character LCD Module (ERM1601-2 Series) to MCU AT89C52

## The Parallel 8Bit(6800 Series MCU)Reference Example



## The Parallel 4Bit(6800 Series MCU)Reference Example



NOTE:When variable resistor RW1 is use,resistor R don't use

Title <b>EASTRISING TECHNOLOGY CO.,LTD.</b>			
Size A	Number ERM1601-2	Revision A0	
Date: File	30-Mar-2016	Sheet of Drawn By	1 Jim