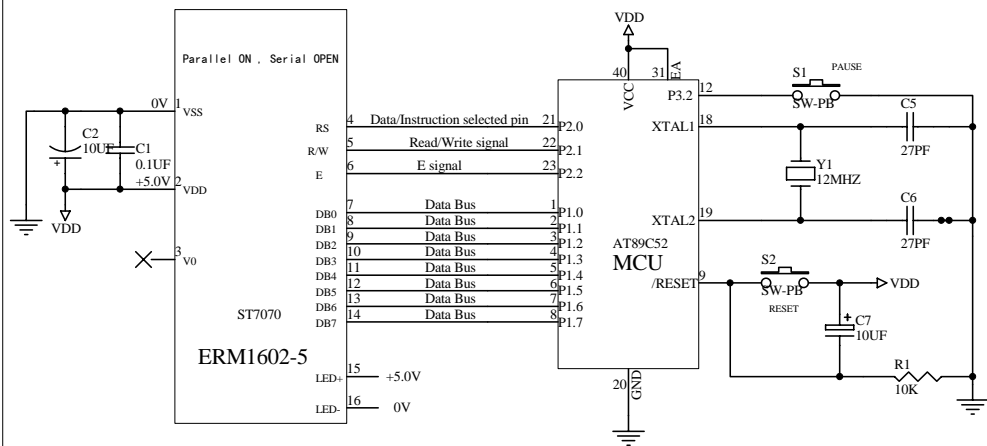
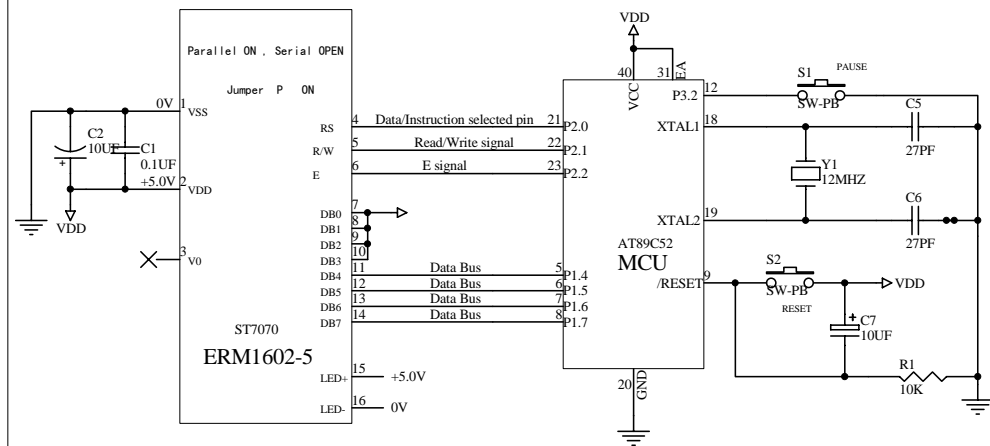


## Interfacing 5V Character LCD Module (ERM1602-5 Series) to MCU AT89C52

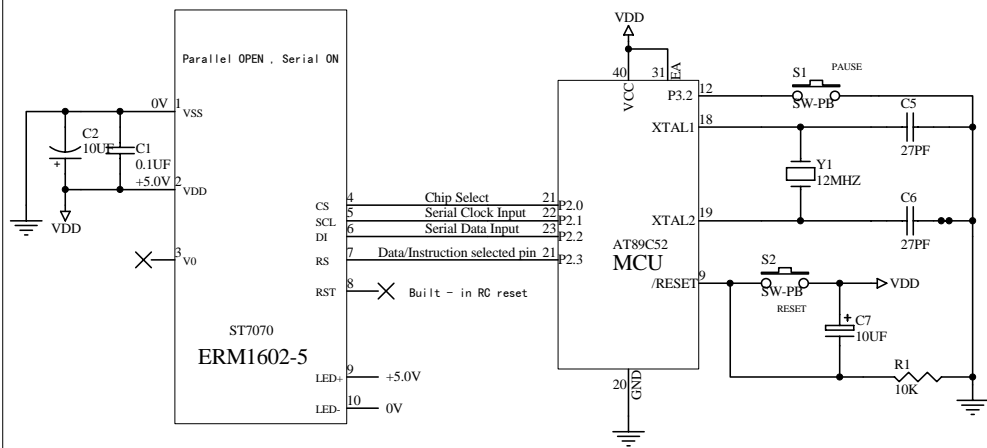
The Parallel 8Bit(6800 Series MCU)Reference Example Use J1 Interface(16 PIN)



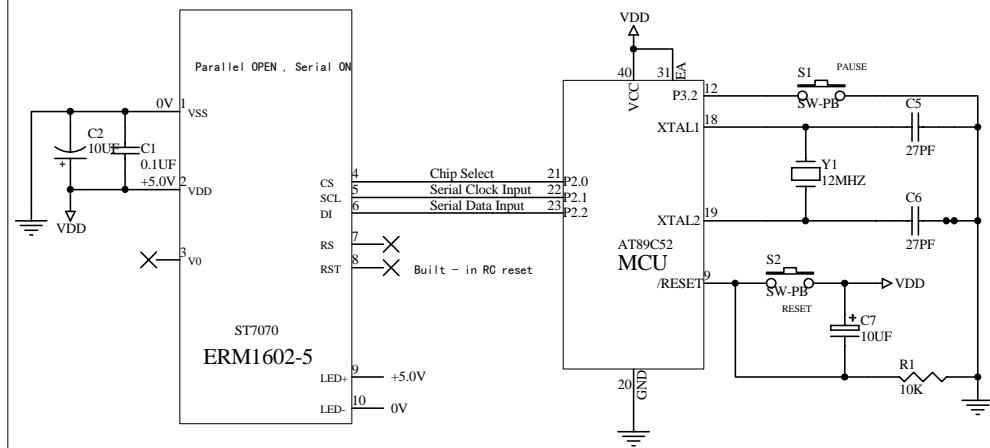
The Parallel 4Bit(6800 Series MCU)Reference Example Use J1 Interface(16 PIN)



The Serial 4Line SPI Use J2 Interface(10 PIN)



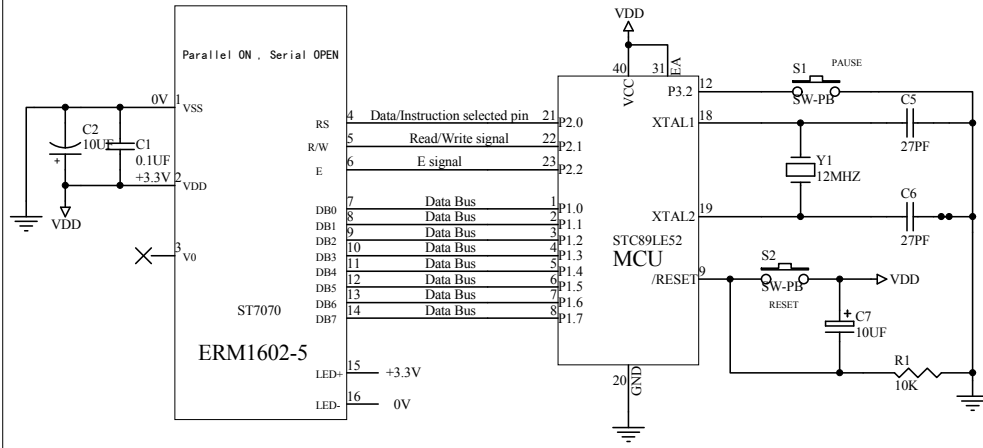
The Serial 3Line SPI Use J2 Interface(10 PIN)



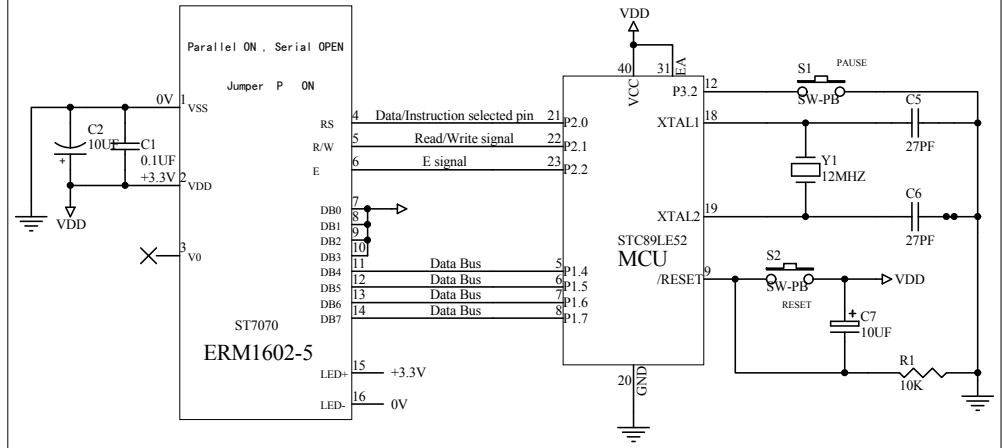
Title		
<b>EASTRISING TECHNOLOGY CO.,LTD.</b>		
Size	Number	Revision
A	ERM1602-5	A1
Date:	17-Dec-2015	Sheet of 1
File		Drawn By Javen

# Interfacing 3.3V Character LCD Module (ERM1602-5 Series) to MCU AT89C52

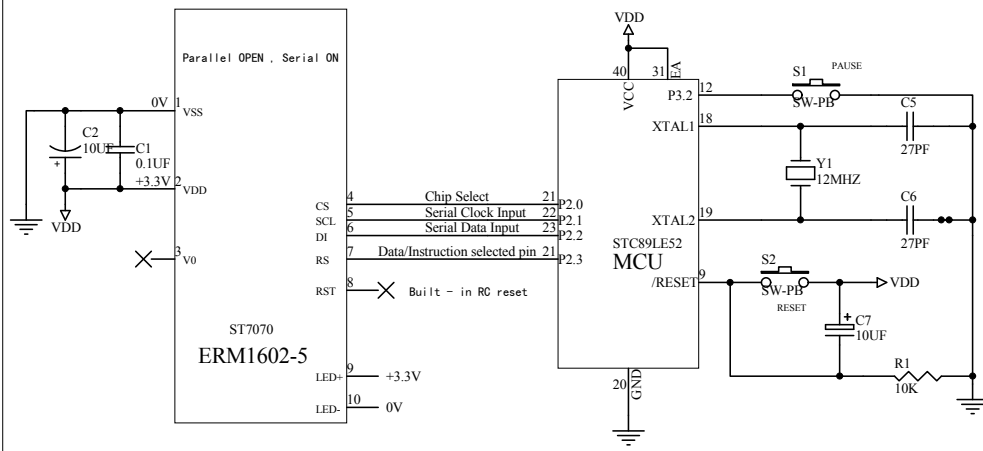
The Parallel 8Bit(6800 Series MCU)Reference Example Use J1 Interface(16 PIN)



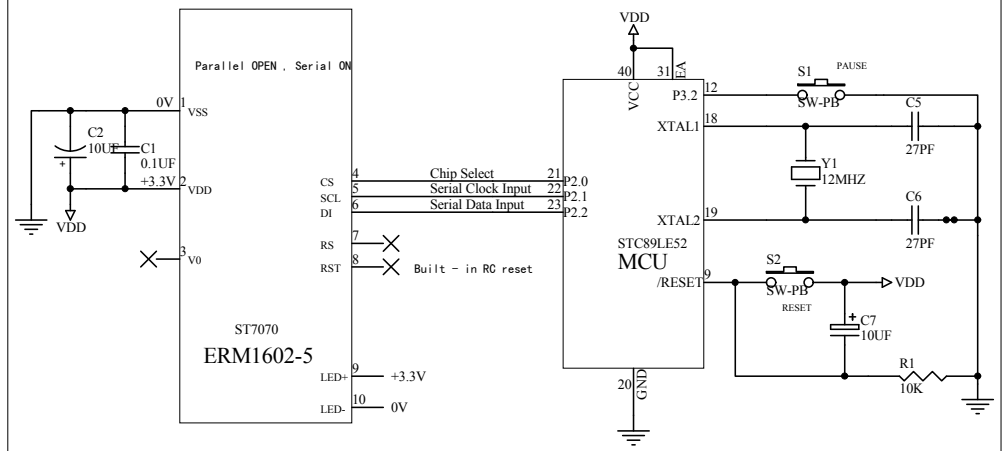
The Parallel 4Bit(6800 Series MCU)Reference Example Use J1 Interface(16 PIN)



The Serial 4Line SPI Use J2 Interface(10 PIN)



The Serial 3Line SPI Use J2 Interface(10 PIN)



Title <b>EASTRISING TECHNOLOGY CO.,LTD.</b>		
Size <b>A</b>	Number <b>ERM1602-5</b>	Revision <b>A1</b>
Date: 30-Mar-2016	Sheet of 1	
File	Drawn By Javen	