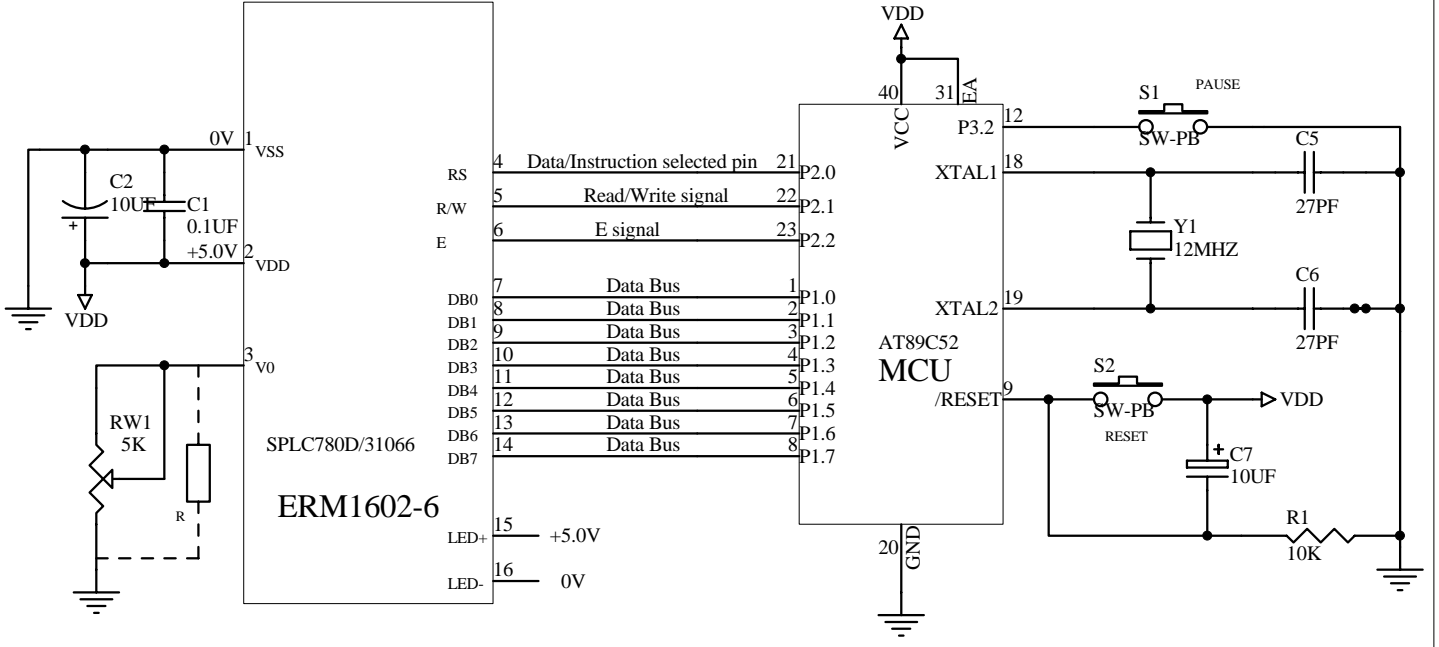
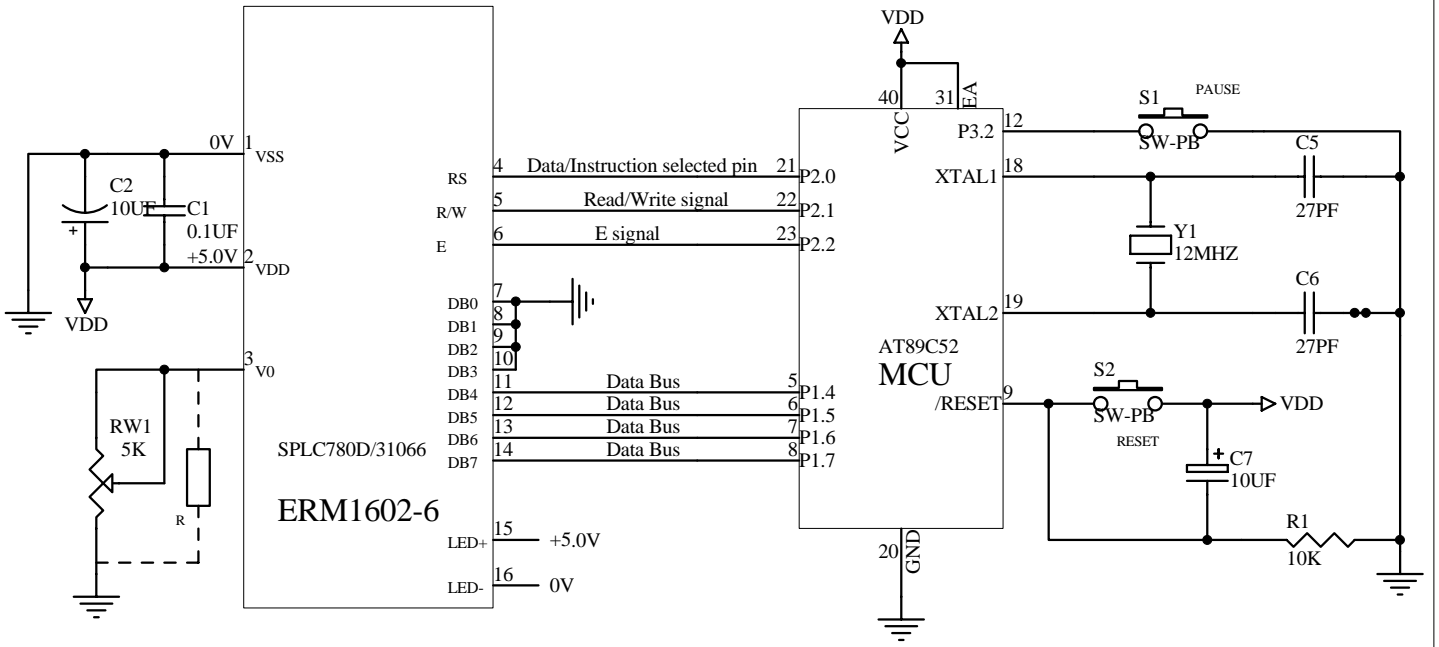


# Interfacing 5V Character LCD Module (ERM1602-6 Series) to MCU AT89C52

## The Parallel 8Bit(6800 Series MCU)Reference Example



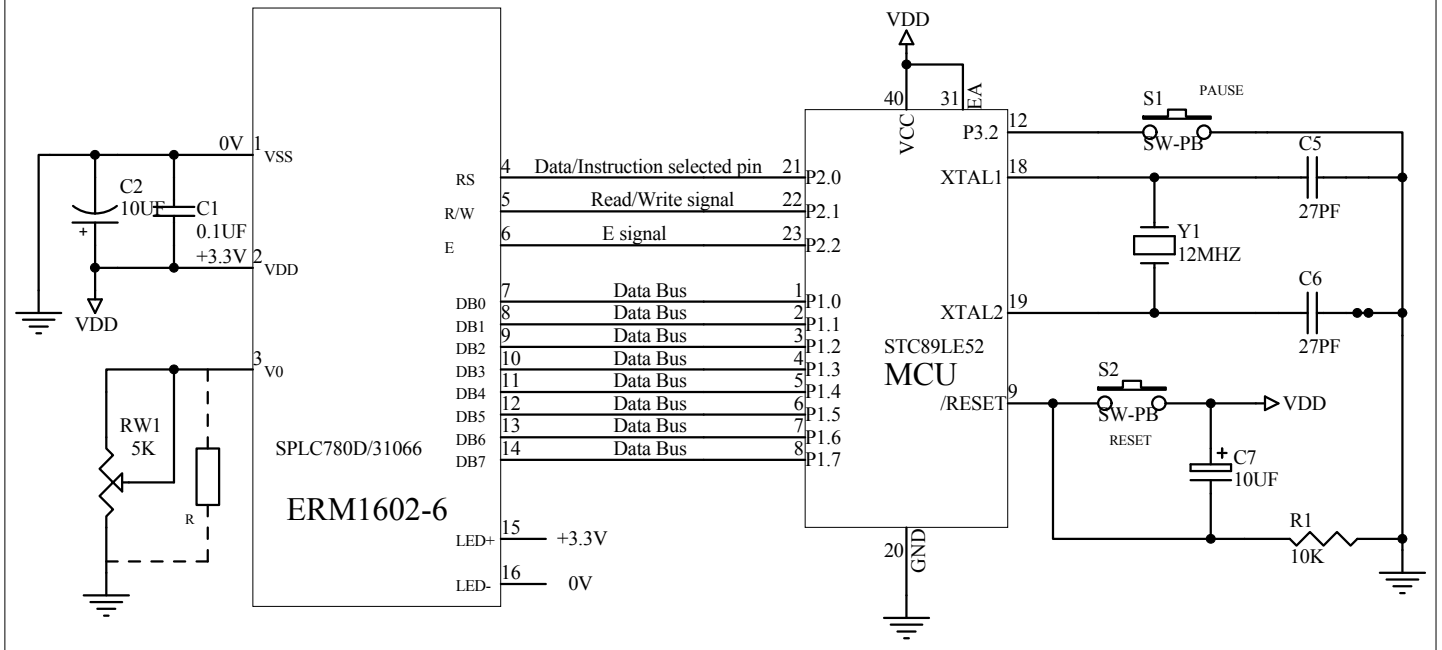
## The Parallel 4Bit(6800 Series MCU)Reference Example



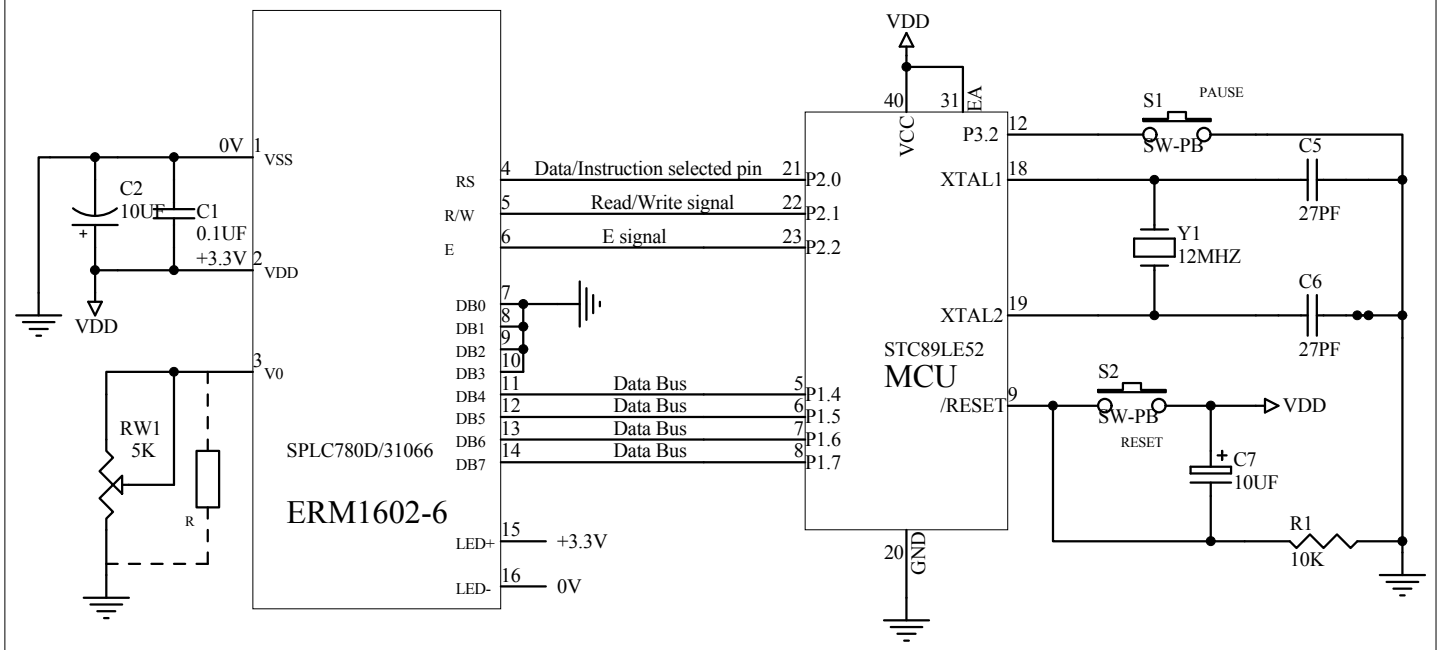
|                   |           |          |                                       |  |  |
|-------------------|-----------|----------|---------------------------------------|--|--|
| Title             |           |          | <b>EASTRISING TECHNOLOGY CO.,LTD.</b> |  |  |
| Size              | Number    | Revision |                                       |  |  |
| A                 | ERM1602-6 | A0       |                                       |  |  |
| Date:June-25-2013 |           |          | Sheet of 1                            |  |  |
| File              |           |          | Drawn By Javen                        |  |  |

# Interfacing 3.3V Character LCD Module (ERM1602-6 Series) to MCU AT89C52

## The Parallel 8Bit(6800 Series MCU)Reference Example



## The Parallel 4Bit(6800 Series MCU)Reference Example



NOTE: When variable resistor RW1 is use, resistor R don't use

|       |             |           |                                       |          |    |
|-------|-------------|-----------|---------------------------------------|----------|----|
| Title |             |           | <b>EASTRISING TECHNOLOGY CO.,LTD.</b> |          |    |
| Size  | Number      | ERM1602-6 |                                       | Revision | A0 |
| Date: | 30-Mar-2016 | Sheet of  | 1                                     |          |    |
| File  |             | Drawn By  | Javen                                 |          |    |