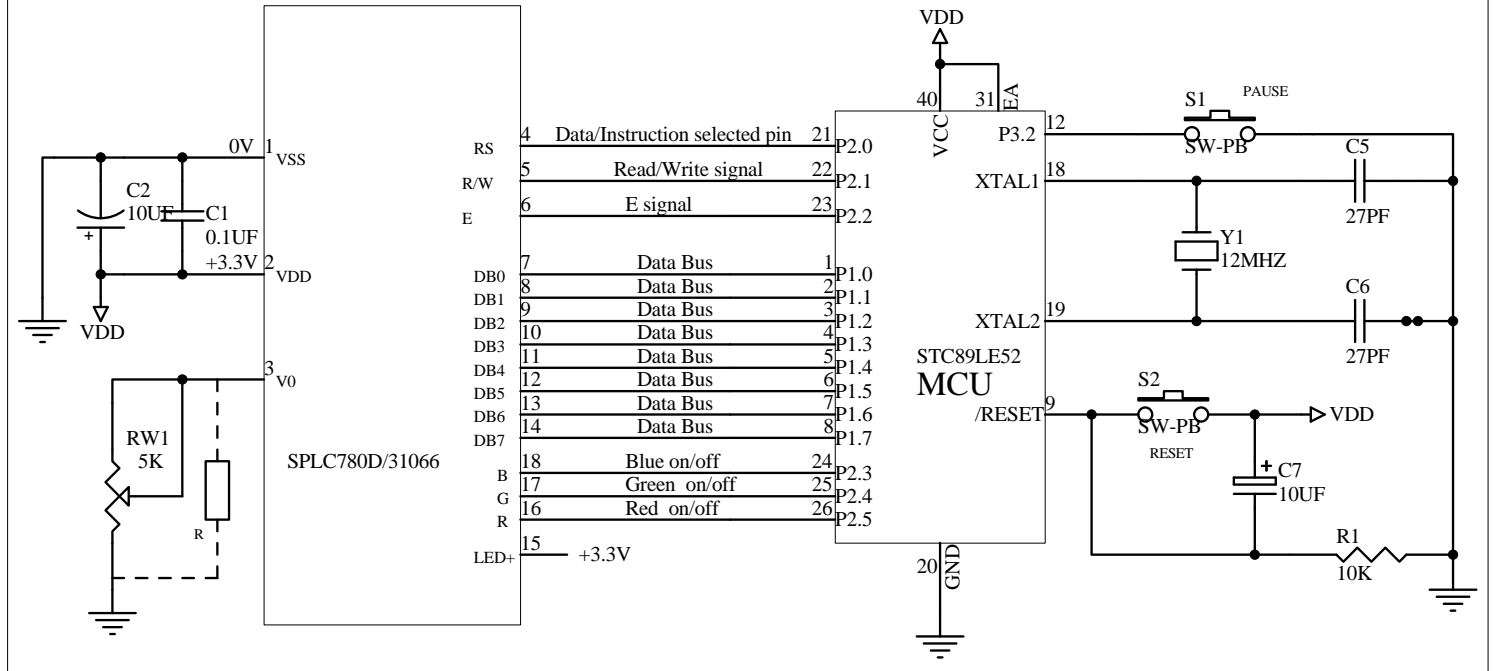
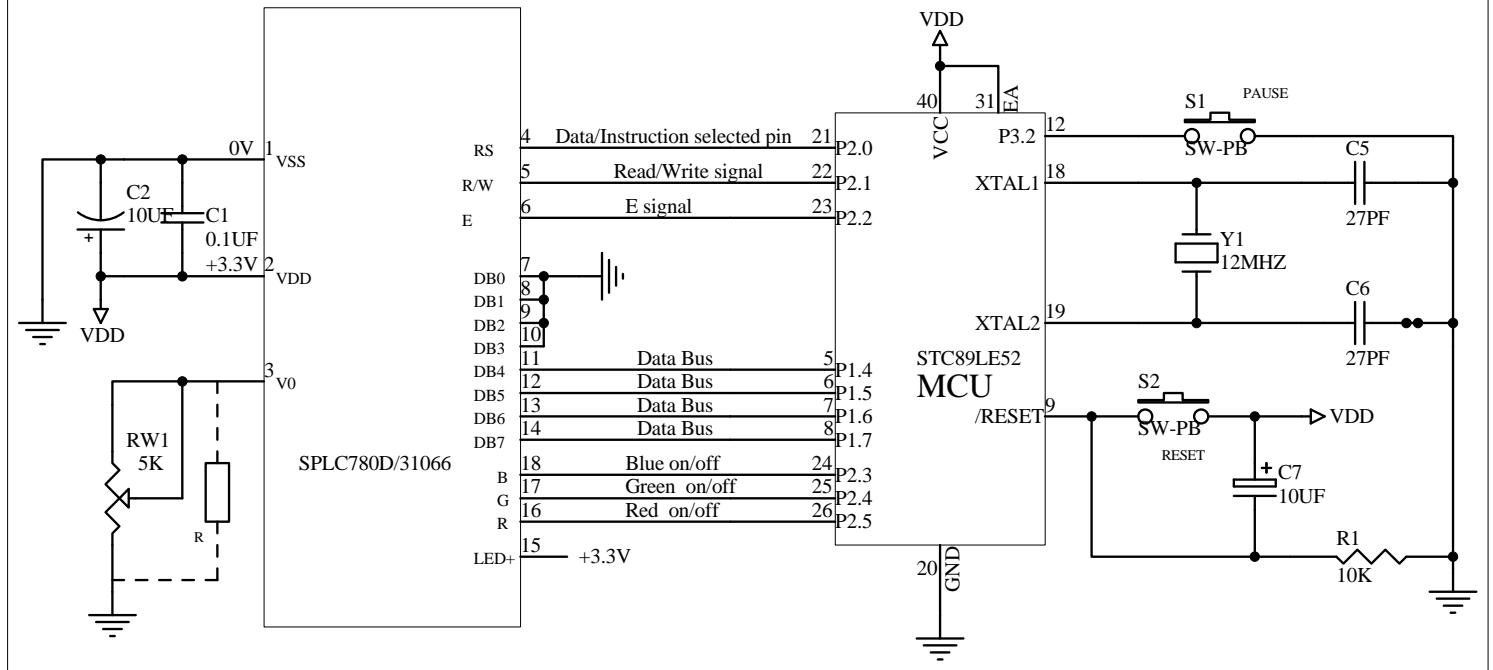


Interfacing ERM1602F7-6 ,ERM1602DN7-6 display to MCU STC89LE52 MCU

The Parallel 8Bit(6800 Series MCU)Reference Example



The Parallel 4Bit(6800 Series MCU)Reference Example



NOTE:When variable resistor RW1 is use,resistor R don't use

Title EASTRISING TECHNOLOGY CO.,LTD.			
Size A	Number ERM1602F7-6 ERM1602DN7-6	Revision A0	
Date:	23-May-2019	Sheet of	1
File		Drawn By	Javen