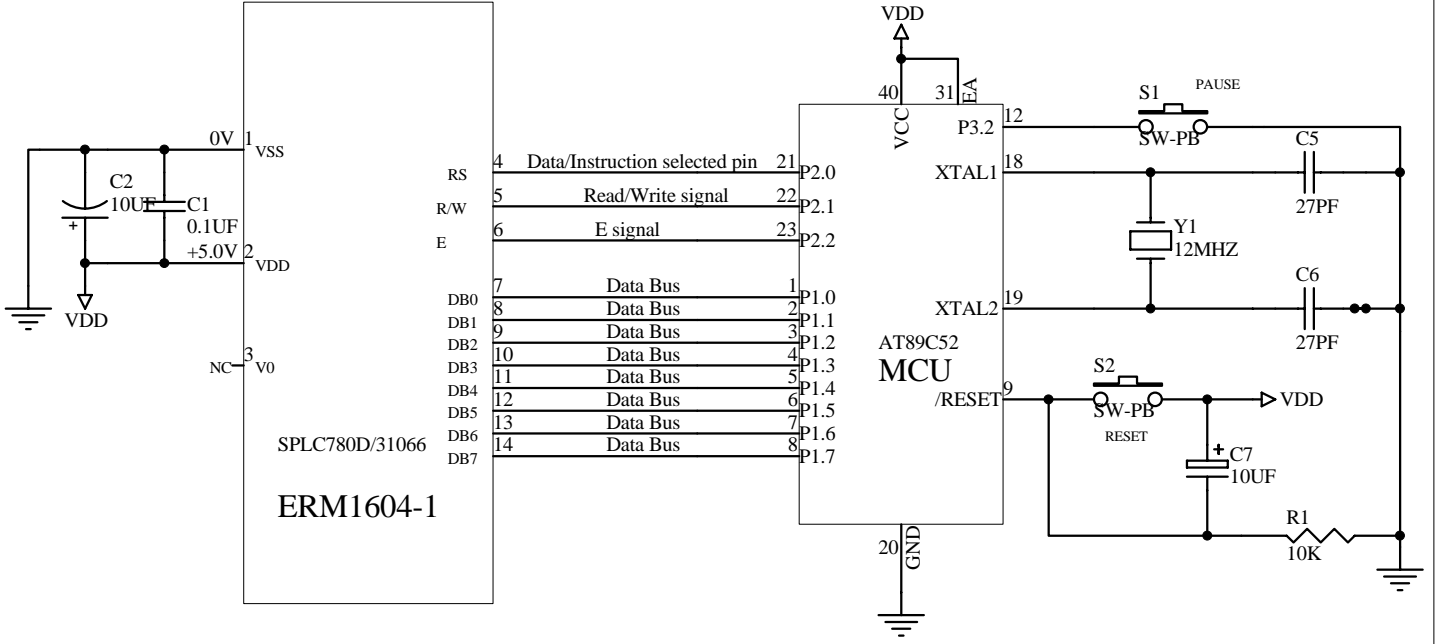
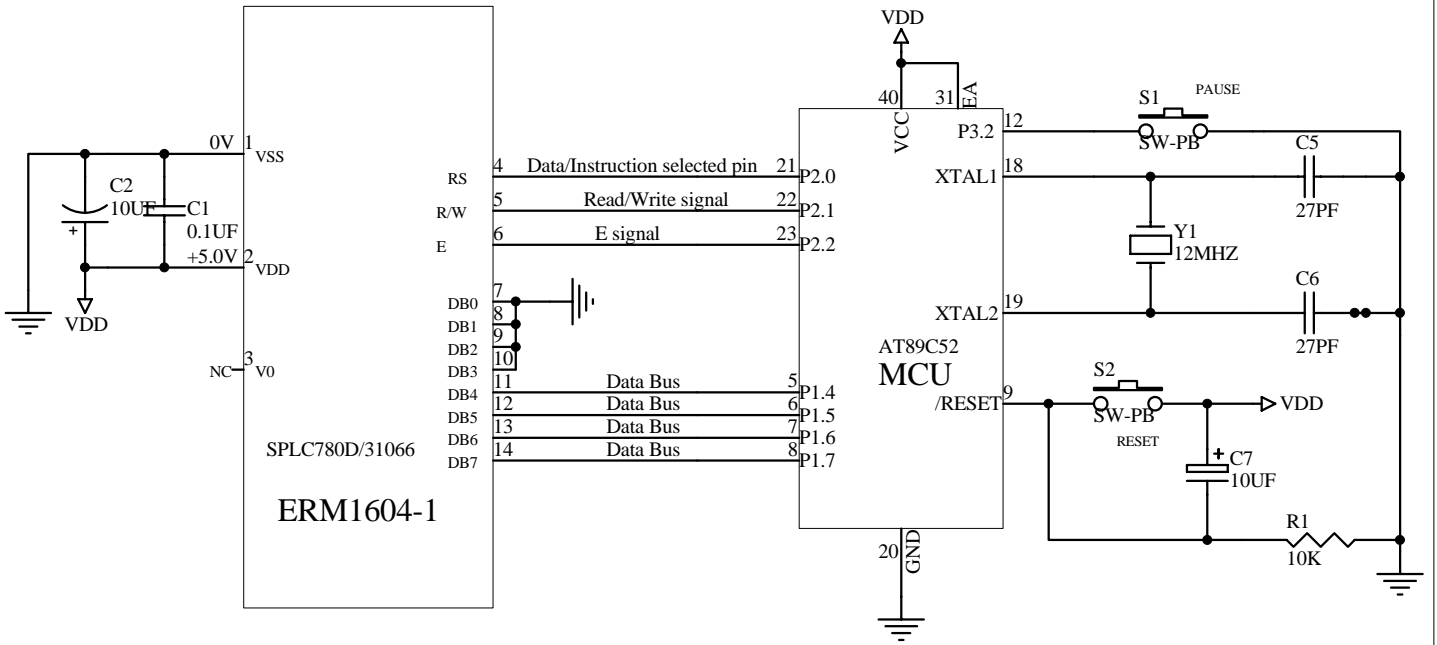


Interfacing 5V Character LCD Module (ERM1604-1 Series) to MCU AT89C52

The Parallel 8Bit(6800 Series MCU)Reference Example



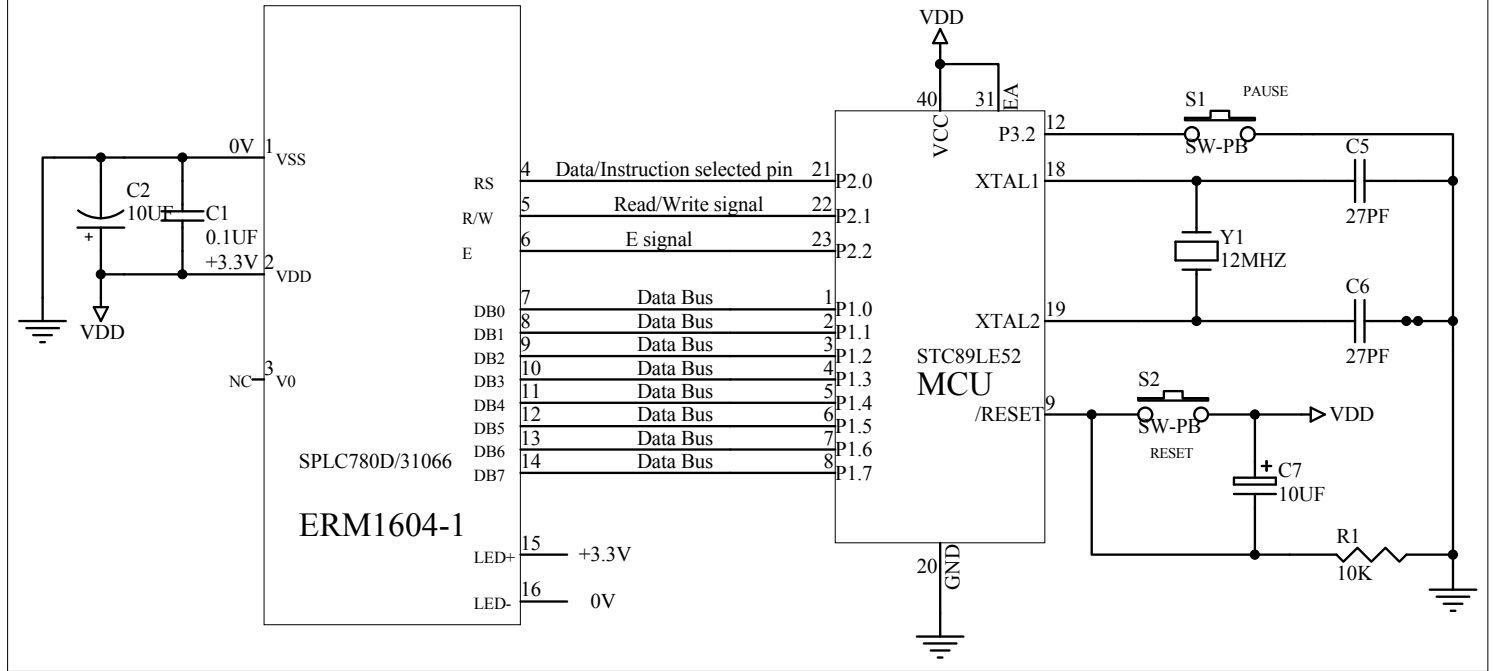
The Parallel 4Bit(6800 Series MCU)Reference Example



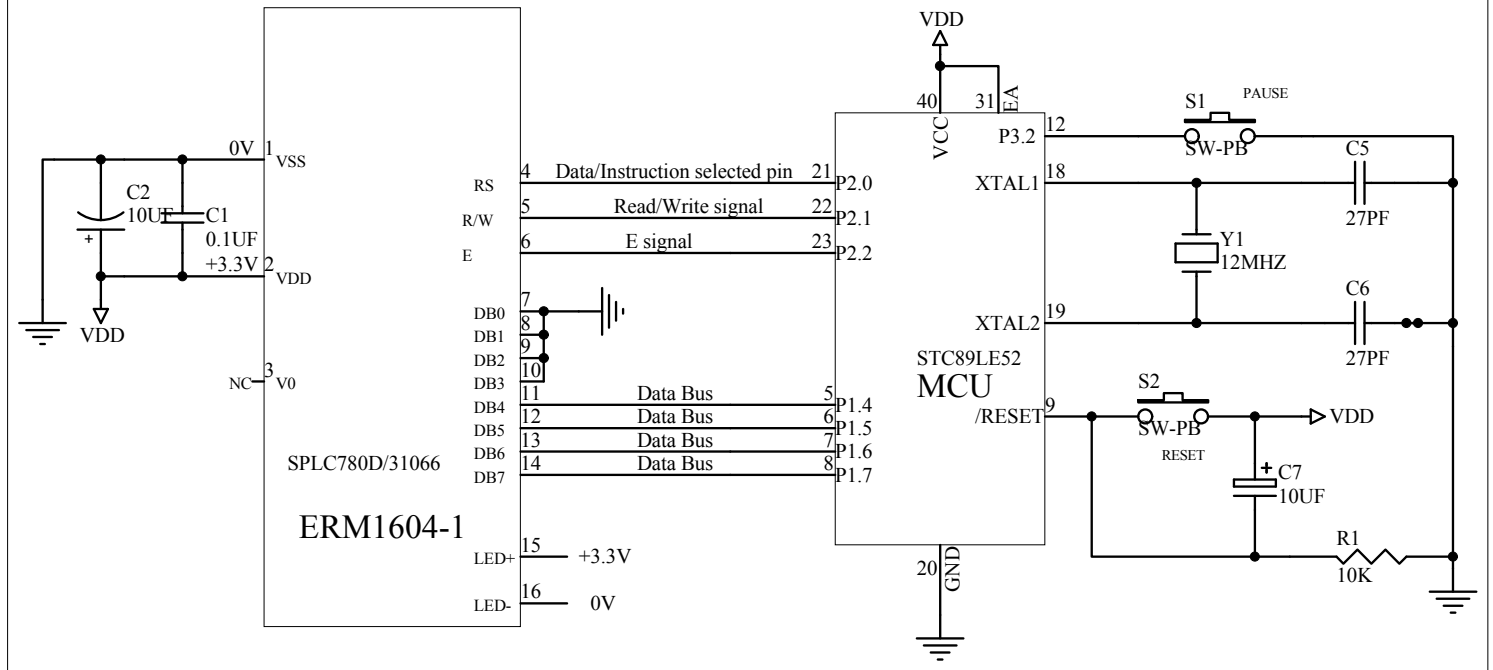
Title		
EASTRISING TECHNOLOGY CO.,LTD.		
Size	Number	Revision
A	ERM1604-1	A0
Date:	26-Nov-2009	Sheet of 1
File		Drawn By Javen

Interfacing 3.3V Character LCD Module (ERM1604-1 Series) to MCU AT89C52

The Parallel 8Bit(6800 Series MCU)Reference Example



The Parallel 4Bit(6800 Series MCU)Reference Example



Title EASTRISING TECHNOLOGY CO.,LTD.			
Size	Number	Revision	
A	ERM1604-1	A0	
Date:	30-Mar-2016	Sheet of	1
File		Drawn By	Javen