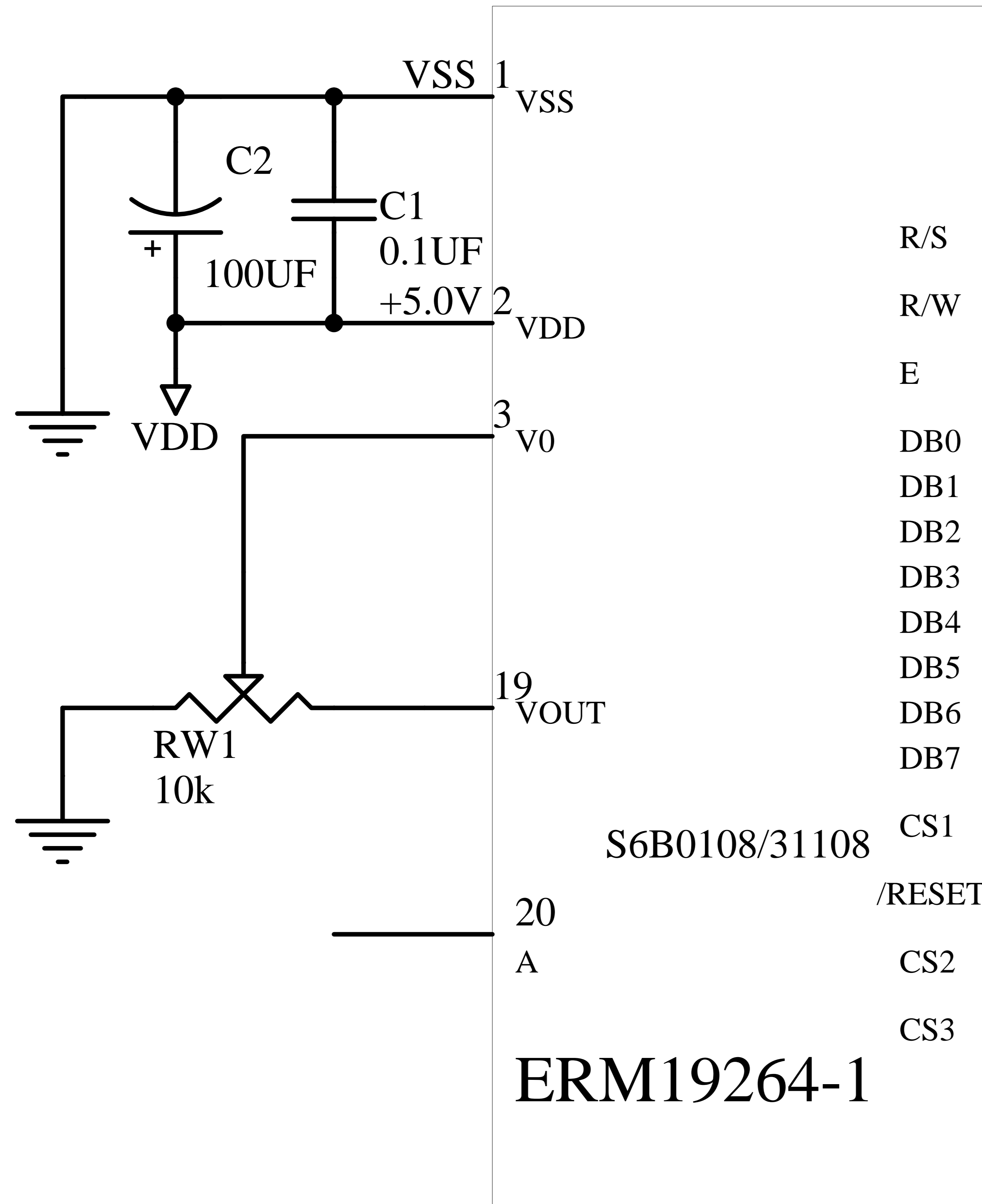
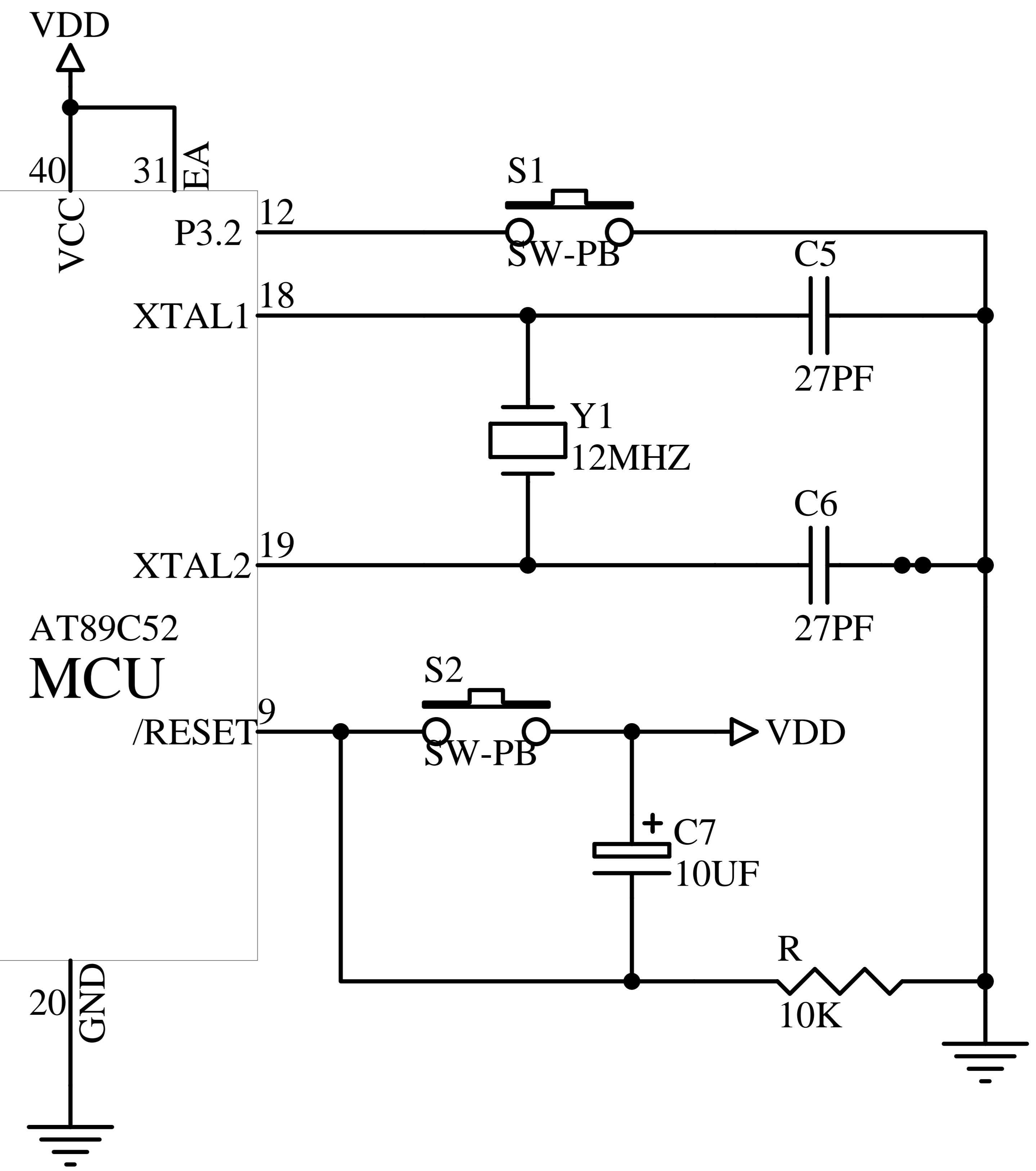


Interfacing LCD Modules to the AT89C52 MCU

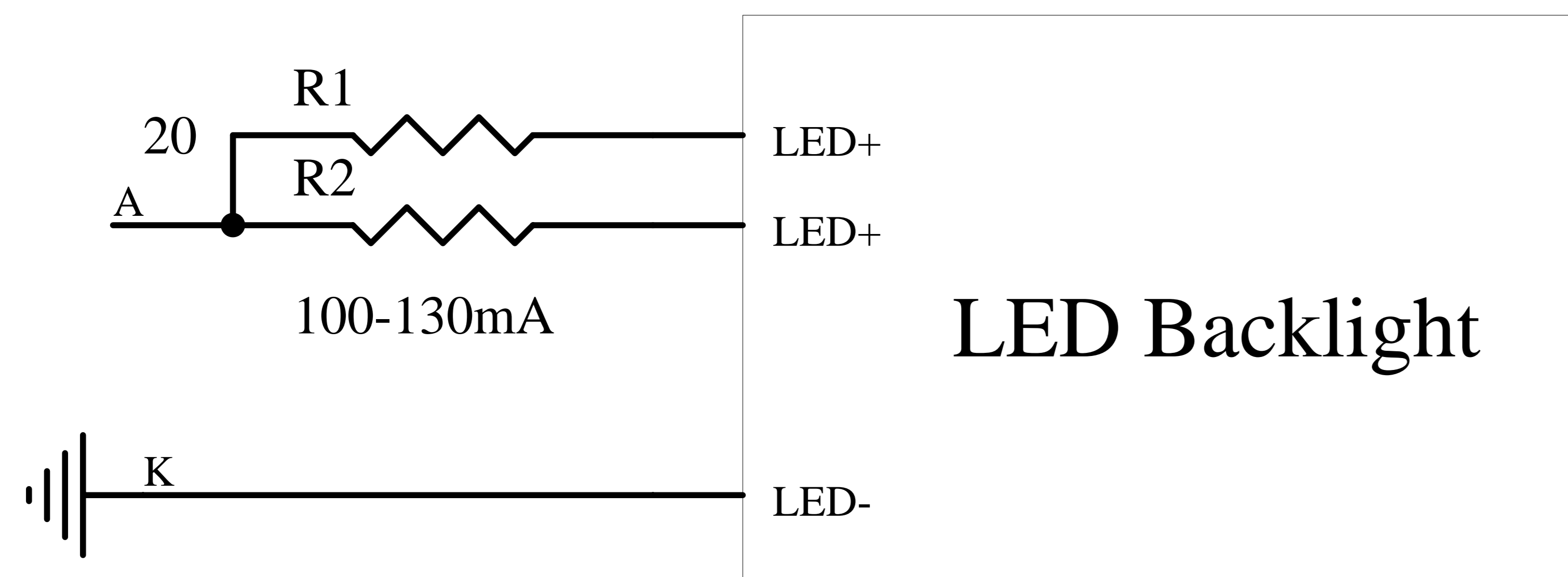
The Parallel 8Bit(6800 Series MCU)Reference Example



R/S	4	Data/Instruction selected pin	21	P2.0
R/W	5	Read/Write signal	22	P2.1
E	6	E signal	23	P2.2
DB0	7	Data Bus	1	P1.0
DB1	8	Data Bus	2	P1.1
DB2	9	Data Bus	3	P1.2
DB3	10	Data Bus	4	P1.3
DB4	11	Data Bus	5	P1.4
DB5	12	Data Bus	6	P1.5
DB6	13	Data Bus	7	P1.6
DB7	14	Data Bus	8	P1.7
CS1	15	Chip1 Select signal Active "L"	24	P2.3
/RESET	16	Reset signal input Active "L"	27	P2.6
CS2	17	Chip2 Select signal Active "L"	25	P2.4
CS3	18	Chip2 Select signal Active "L"	26	P2.5



If R1=4R7 R2=4R7 BackLihgt power Supply is 3.3V
 If R1=33R R2=33R BackLihgt power Supply is 5V



Title			EASTRISING TECHNOLOGY CO.,LTD.		
Size	Number	Revision			
A	ERM19264-1	A0			
Date:	27-Apr-2011	Sheet of	1		
File		Drawn By	Javen		