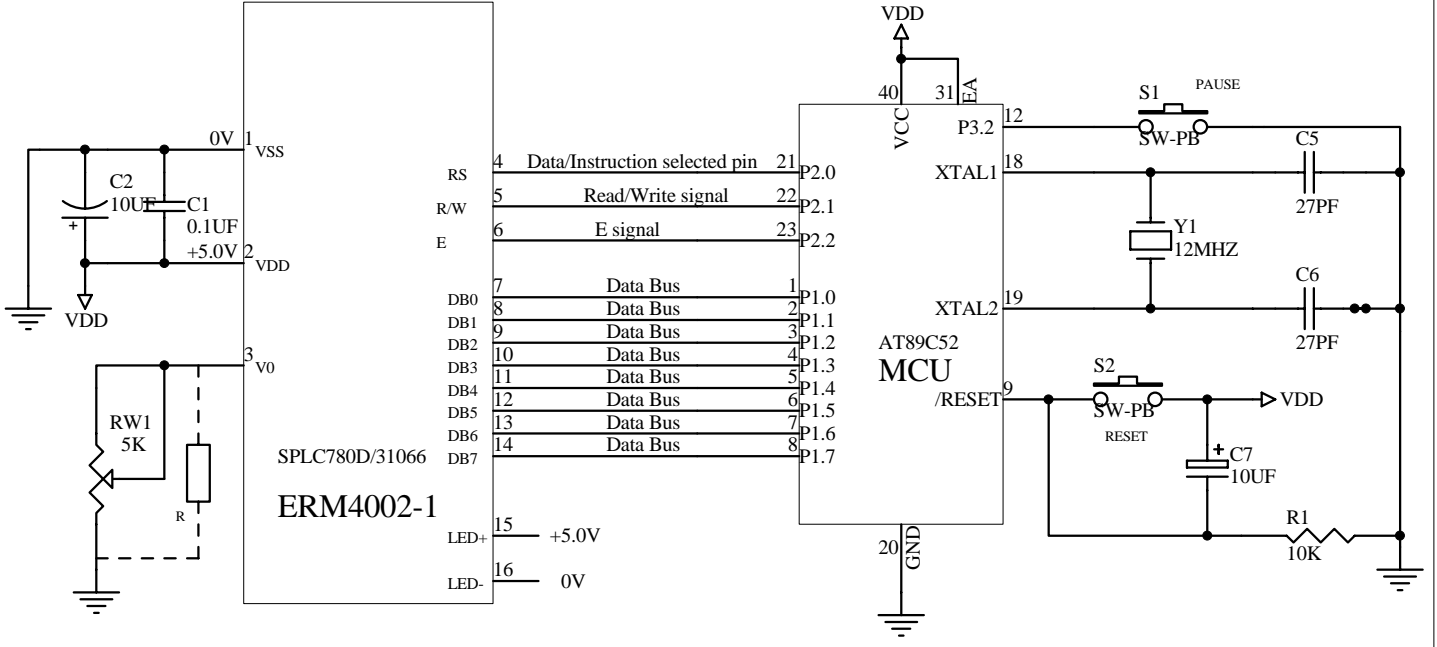
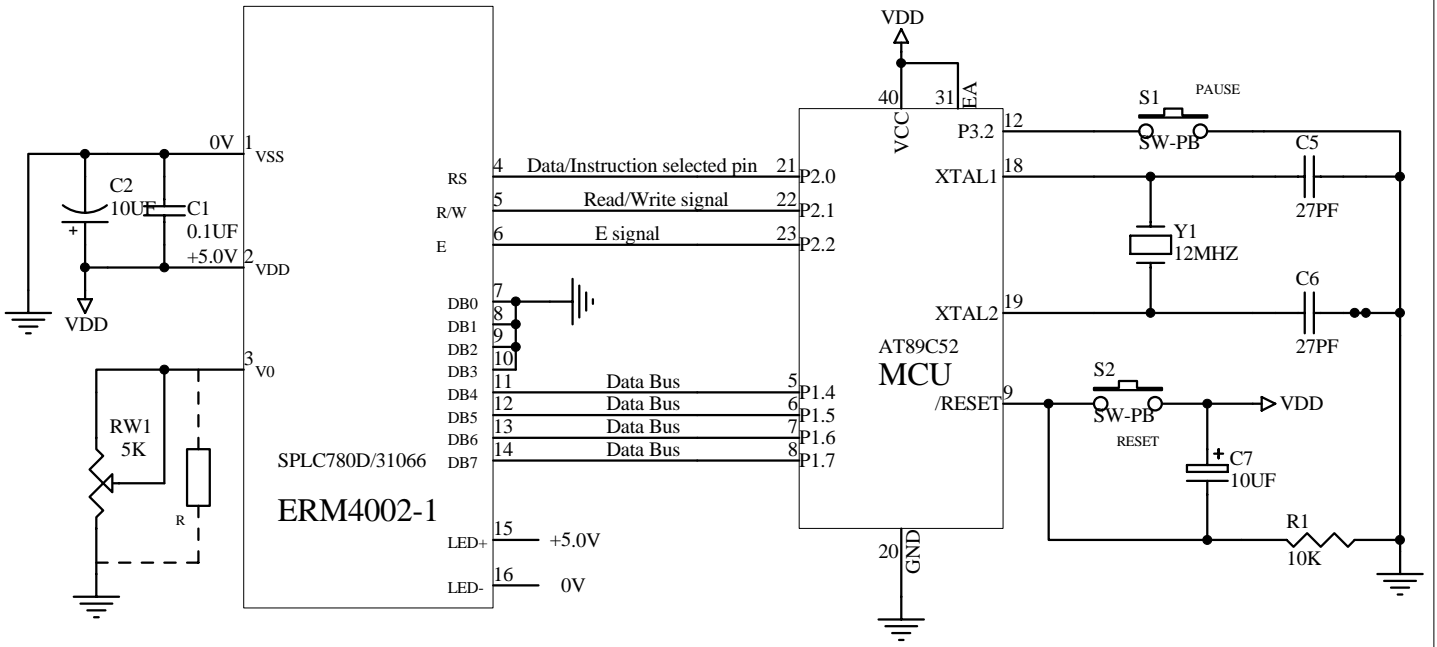


Interfacing 5V Character LCD Module (ERM4002-1 Series) to MCU AT89C52

The Parallel 8Bit(6800 Series MCU)Reference Example



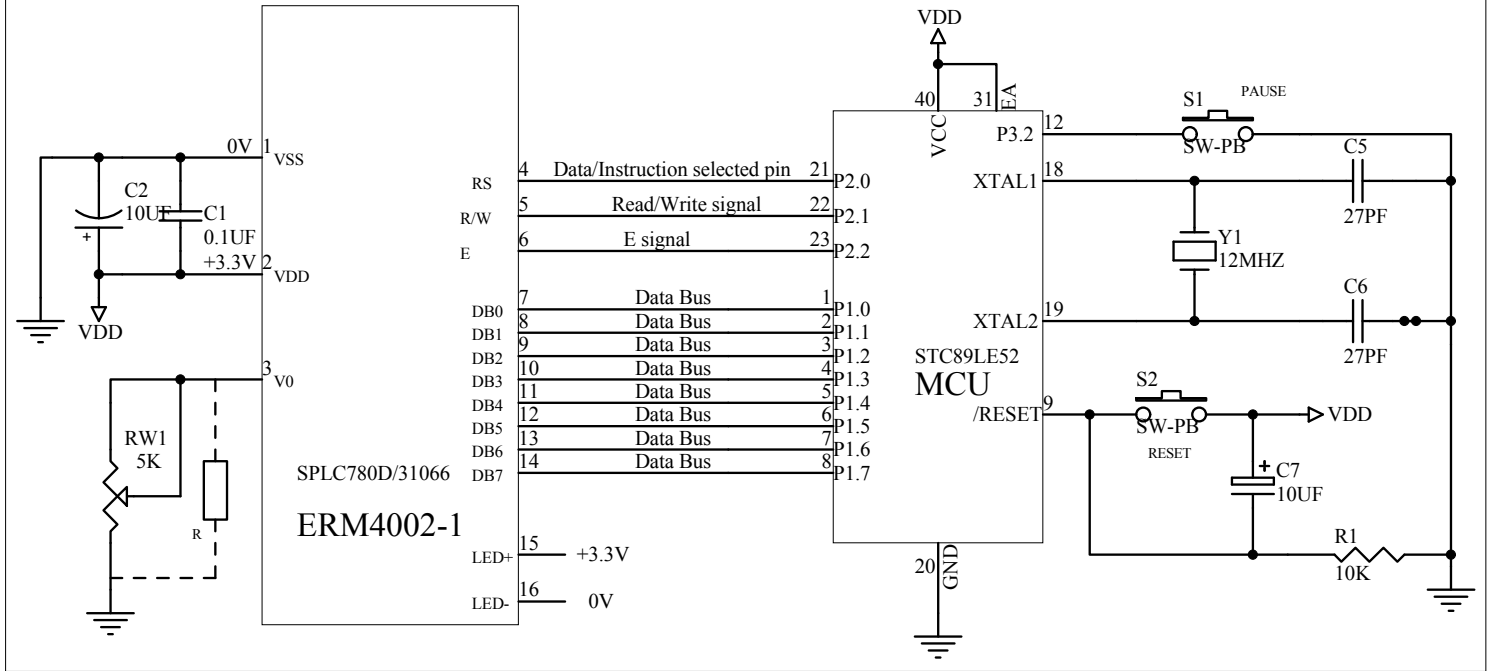
The Parallel 4Bit(6800 Series MCU)Reference Example



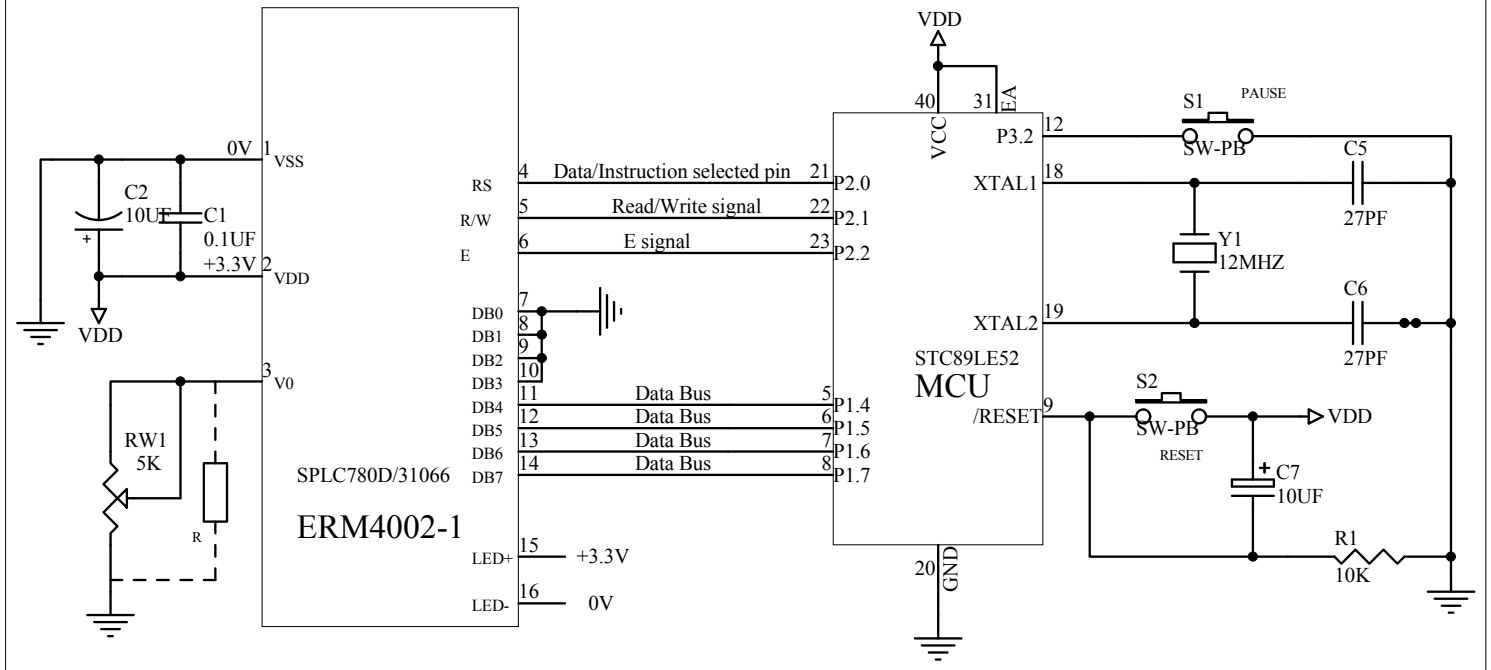
| | | | |
|---------------------------------------|-------------|----------|-------|
| Title | | | |
| EASTRISING TECHNOLOGY CO.,LTD. | | | |
| Size | Number | Revision | |
| A | ERM4002-1 | A0 | |
| Date: | 26-Nov-2009 | Sheet of | 1 |
| File | | Drawn By | Javen |

Interfacing 3.3V Character LCD Module (ERM4002-1 Series) to MCU AT89C52

The Parallel 8Bit(6800 Series MCU)Reference Example



The Parallel 4Bit(6800 Series MCU)Reference Example



| | | | |
|---|-------------|-----------|----------|
| Title EASTRISING TECHNOLOGY CO.,LTD. | | | |
| Size | Number | ERM4002-1 | Revision |
| A | | | A0 |
| Date: | 30-Mar-2016 | Sheet of | 1 |
| File | | Drawn By | Javen |