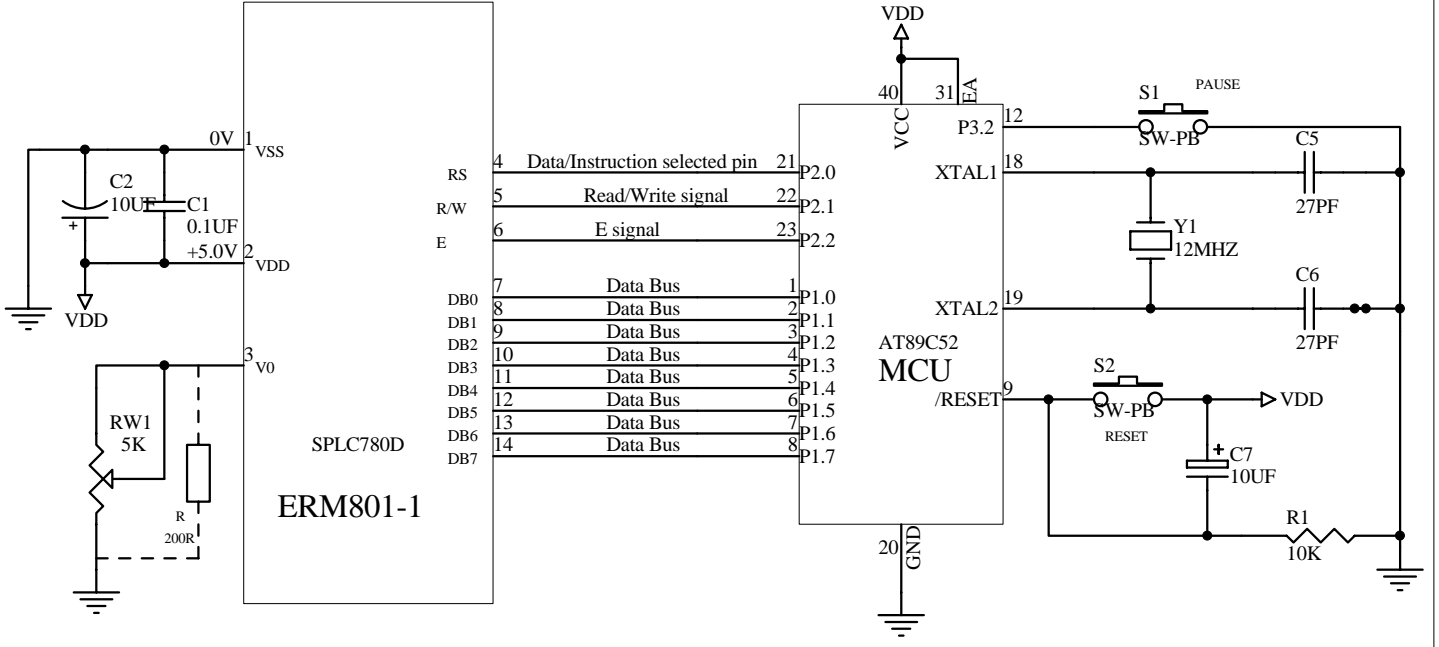
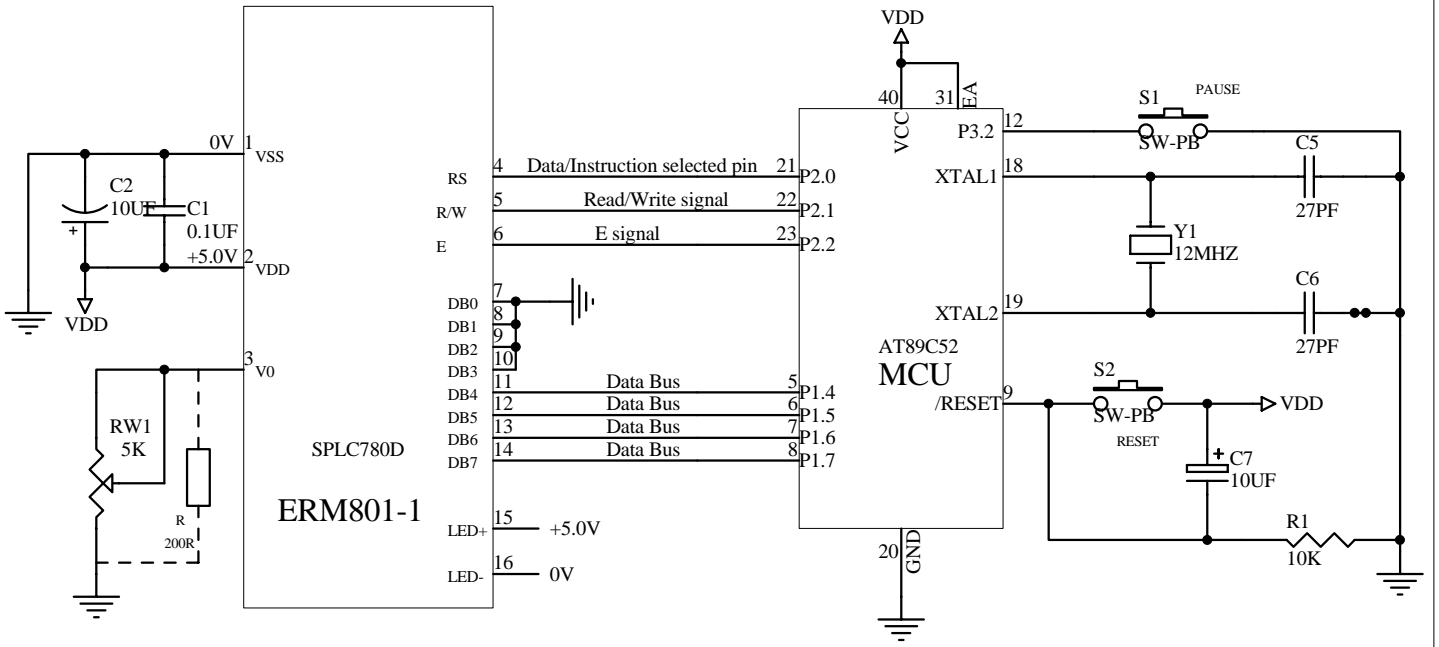


# Interfacing LCD Modules to the AT89C52 MCU

## The Parallel 8Bit(6800 Series MCU)Reference Example



## The Parallel 4Bit(6800 Series MCU)Reference Example



Title			<b>EASTRISING TECHNOLOGY CO.,LTD.</b>		
Size	Number	ERM801-1		Revision	A0
Date:	26-Nov-2009		Sheet of	1	
File			Drawn By	Javen	