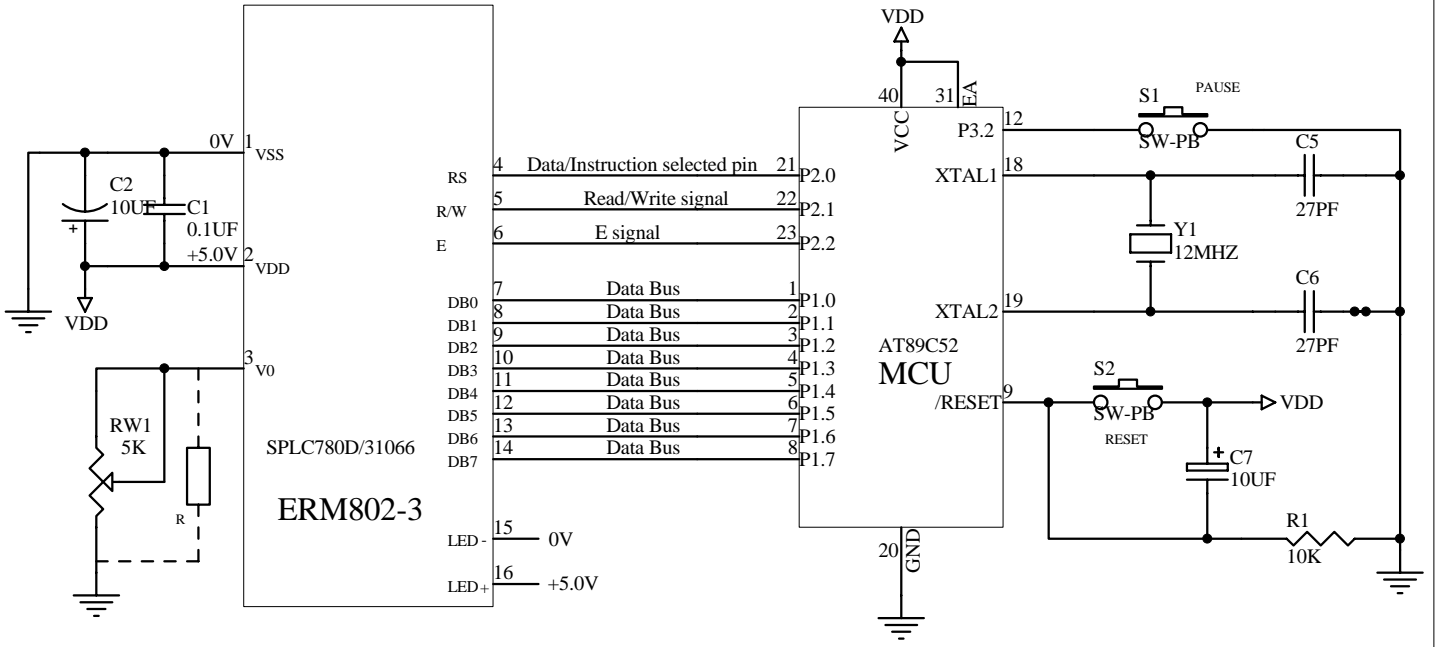
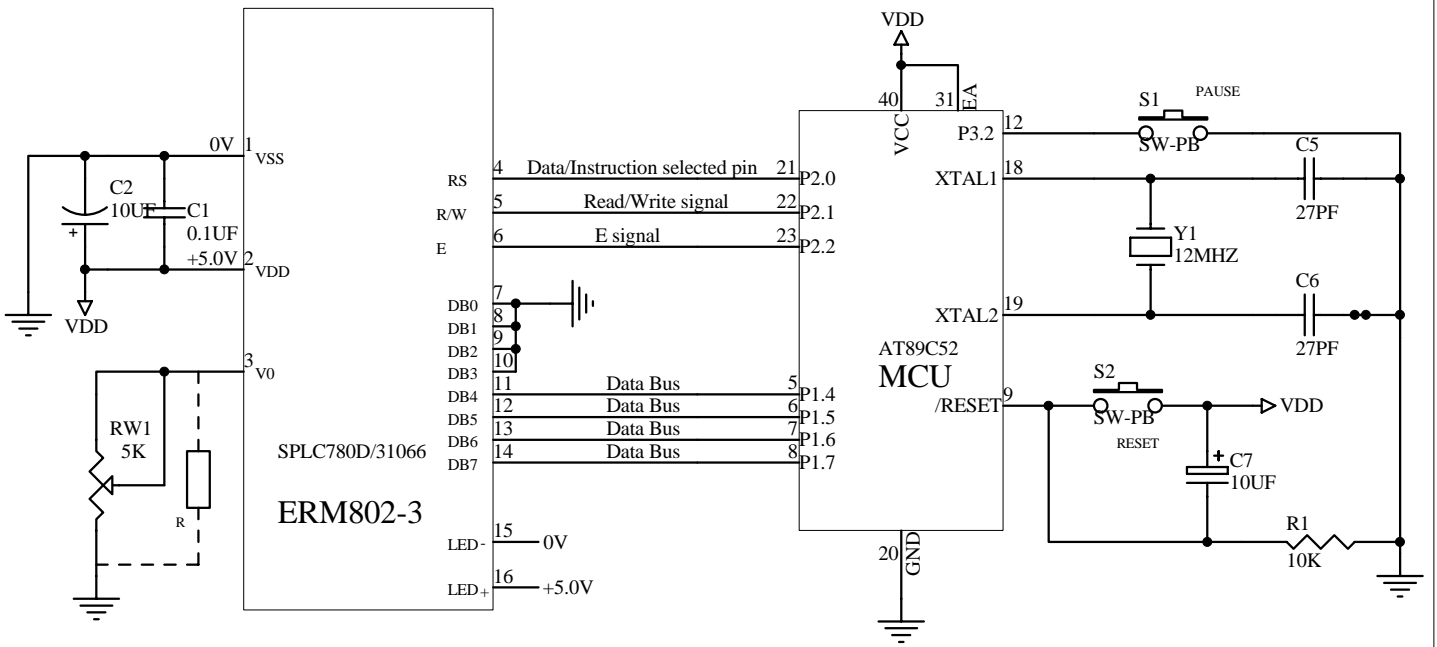


# Interfacing 5V Character LCD Module (ERM802-3 Series) to MCU AT89C52

## The Parallel 8Bit(6800 Series MCU)Reference Example



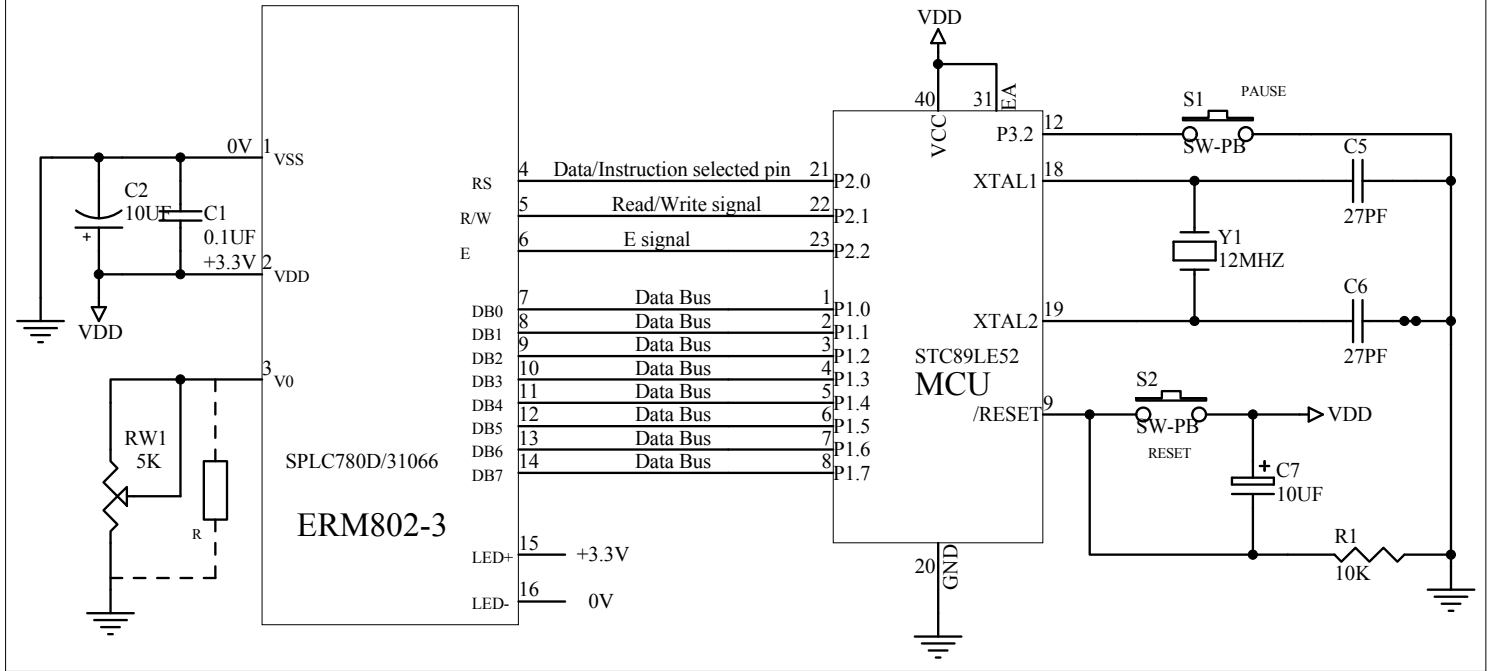
## The Parallel 4Bit(6800 Series MCU)Reference Example



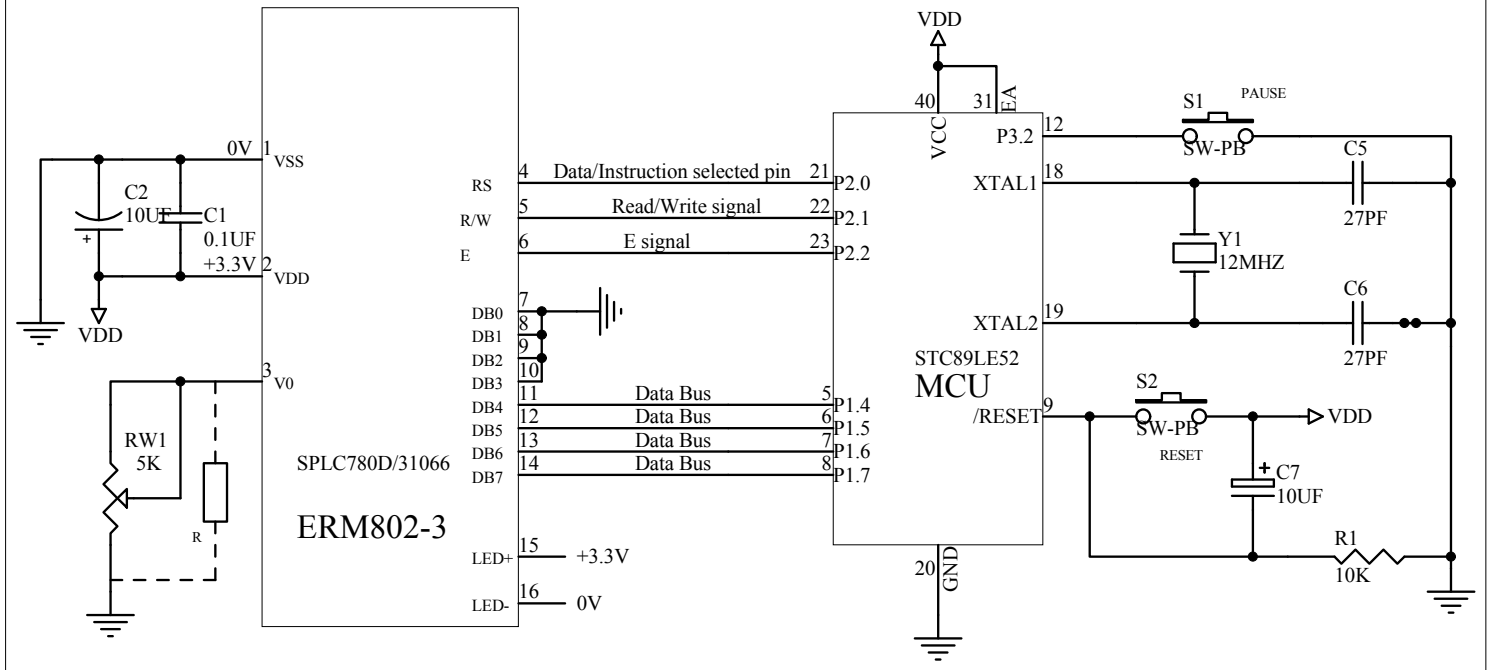
Title			<b>EASTRISING TECHNOLOGY CO.,LTD.</b>		
Size	Number	Revision			
A	ERM802-3	A0			
Date:	26-Nov-2009	Sheet of	1		
File		Drawn By	Javen		

# Interfacing 3.3V Character LCD Module (ERM802-3 Series) to MCU AT89C52

## The Parallel 8Bit(6800 Series MCU)Reference Example



## The Parallel 4Bit(6800 Series MCU)Reference Example



NOTE: When variable resistor RW1 is use, resistor R don't use

<b>Title EASTRISING TECHNOLOGY CO.,LTD.</b>			
Size	Number	Revision	
A	ERM802-3	A0	
Date:	30-Mar-2016	Sheet of	1
File		Drawn By	Javen