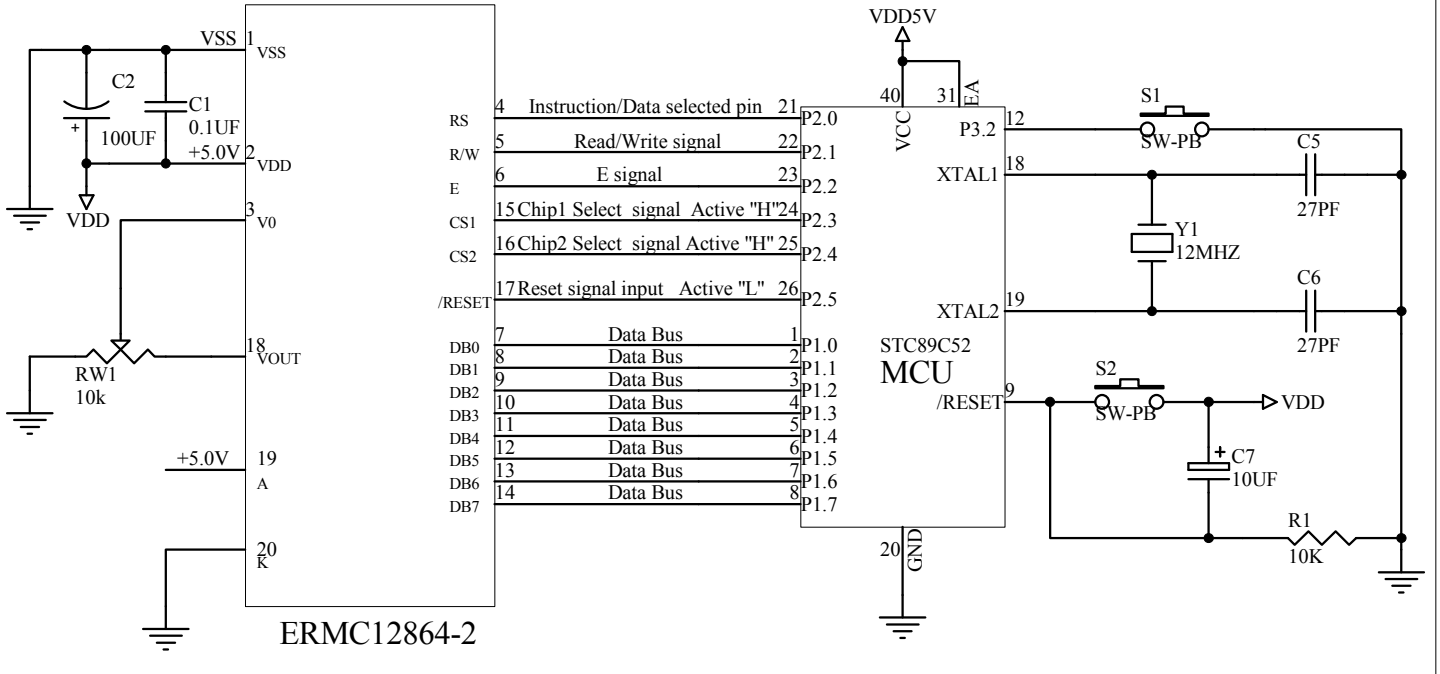
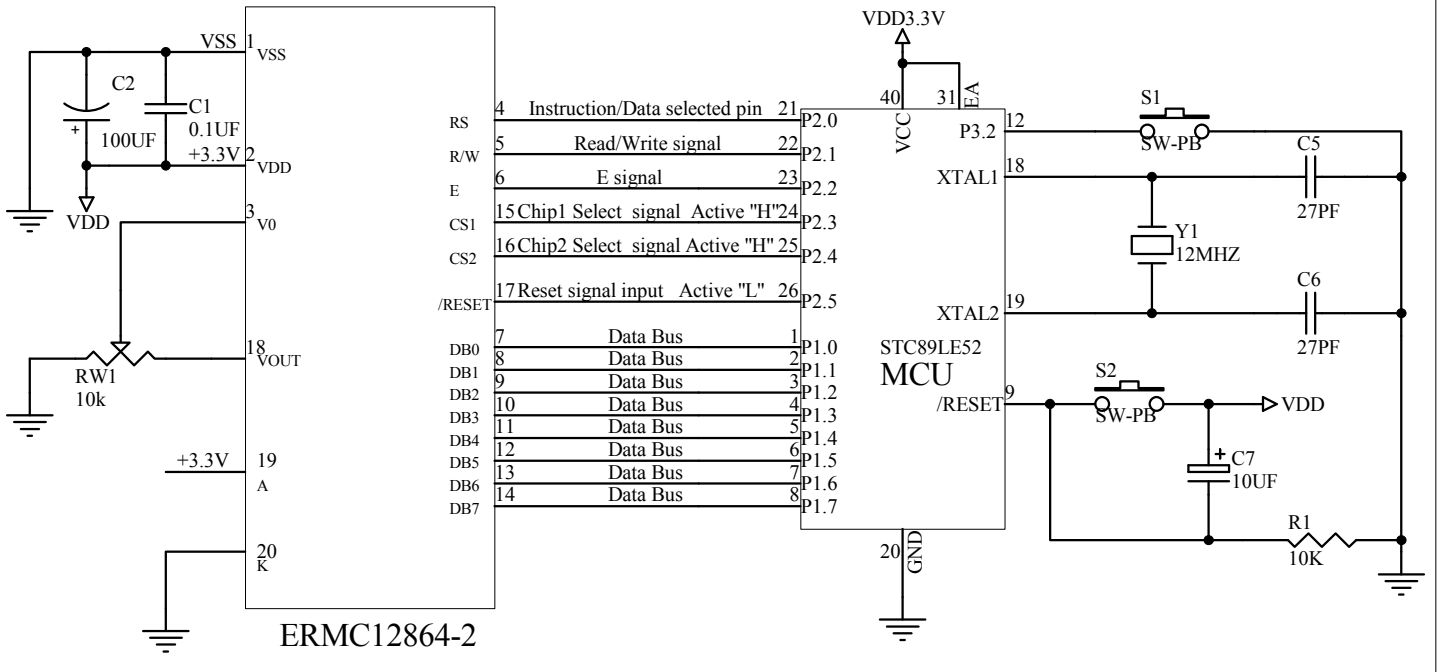


Interfacing ERMC12864-2 Series to the MCU STC89LE52

The 5V power supply, Parallel 8Bit(6800 Series MCU)Reference Example



The 3.3V power supply, Parallel 8Bit(6800 Series MCU)Reference Example



Title			EASTRISING TECHNOLOGY CO.,LTD.		
Size	Number	Revision			
A	ERMC12864-2	A0			
Date:	30-Dec-2020	Sheet of	1		
File		Drawn By	Javen		