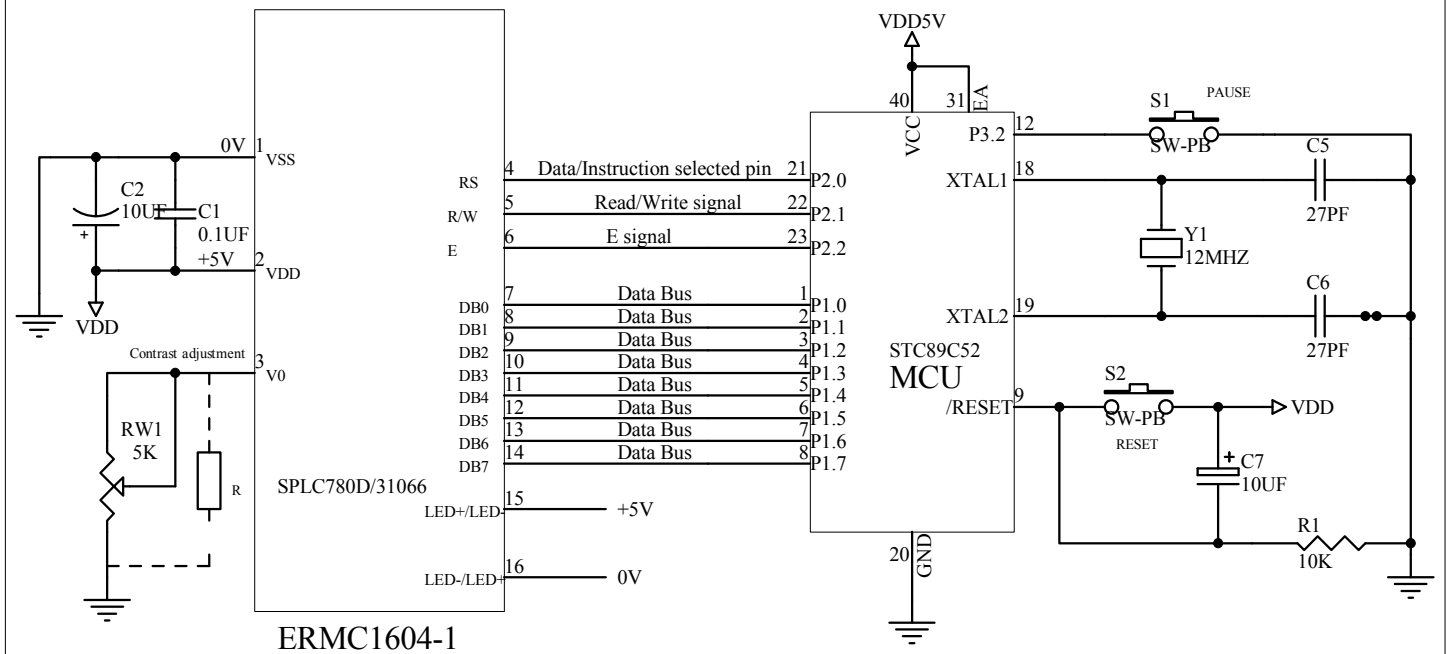


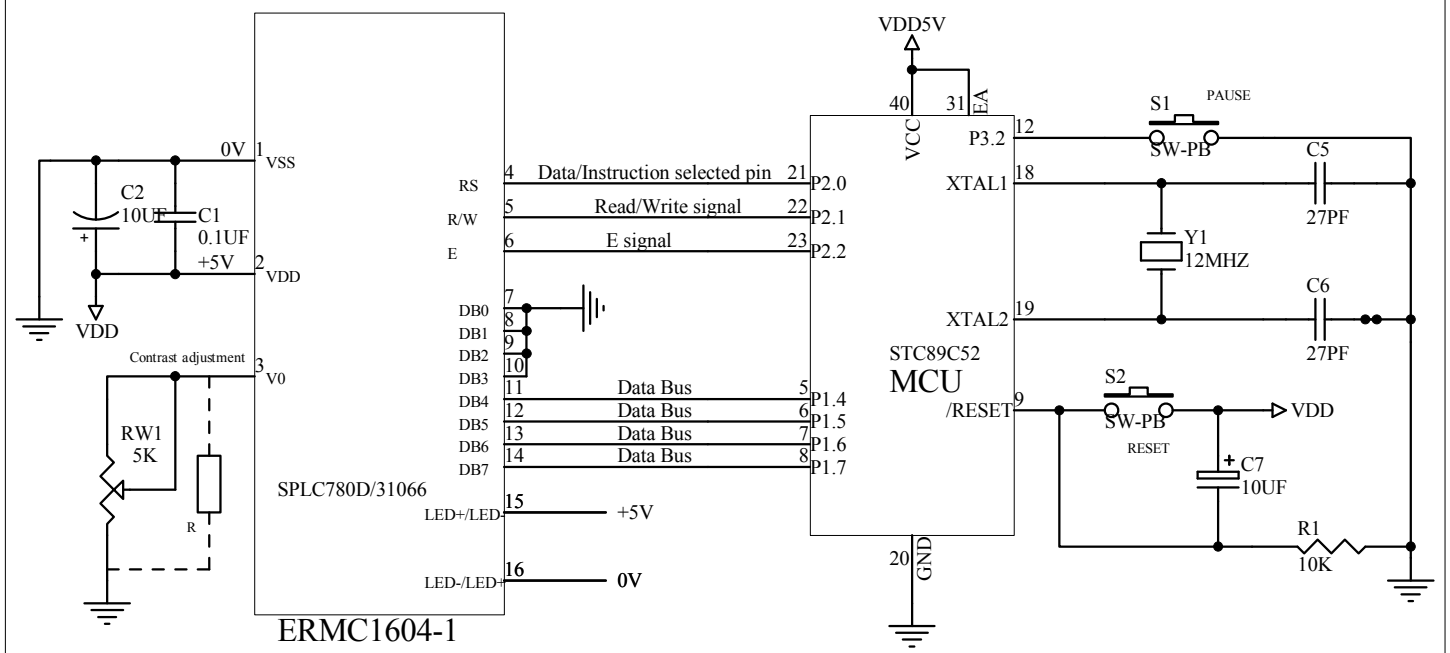
Interfacing 5V Character LCD Module ERMC1604-1 Series to MCU STC89LE52

The Parallel 8Bit(6800 Series MCU)Reference Example



ERMC1604-1

The Parallel 4Bit(6800 Series MCU)Reference Example



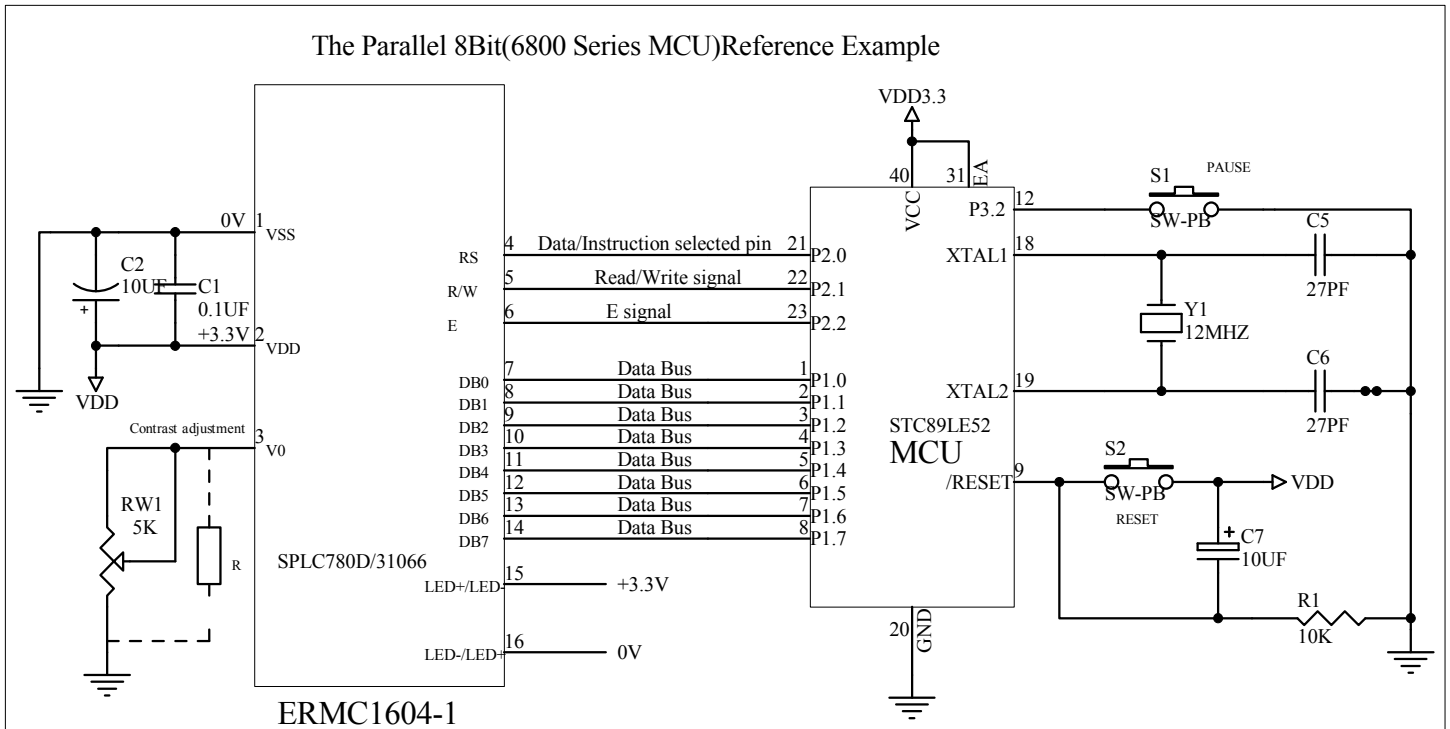
ERMC1604-1

NOTE:When variable resistor RW1 is use,resistor R don't use

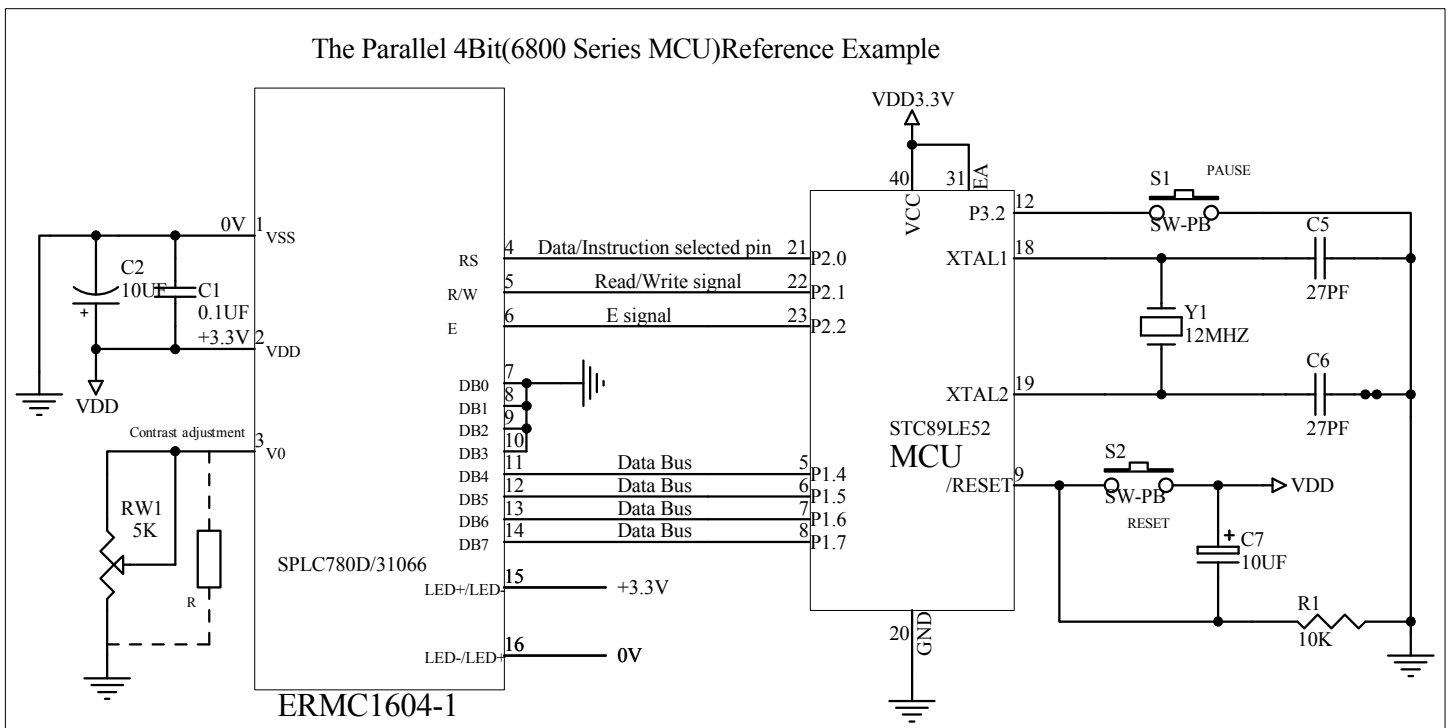
Title				EASTRISING TECHNOLOGY CO.,LTD.			
Size	Number			Revision			
A	ERMC1604-1			A0			
Date:	30-Dec-2020			Sheet of		1	
File				Drawn By		Jim	

Interfacing 3.3V Character LCD Module ERMC1604-1 Series to MCU STC89LE52

The Parallel 8Bit(6800 Series MCU)Reference Example



The Parallel 4Bit(6800 Series MCU)Reference Example



NOTE: When variable resistor RW1 is use, resistor R don't use

Title			EASTRISING TECHNOLOGY CO.,LTD.		
Size	Number	Revision			
A	ERMC1604-1	A0			
Date:	11-Dec-2020	Sheet of	1		
File		Drawn By	Jim		