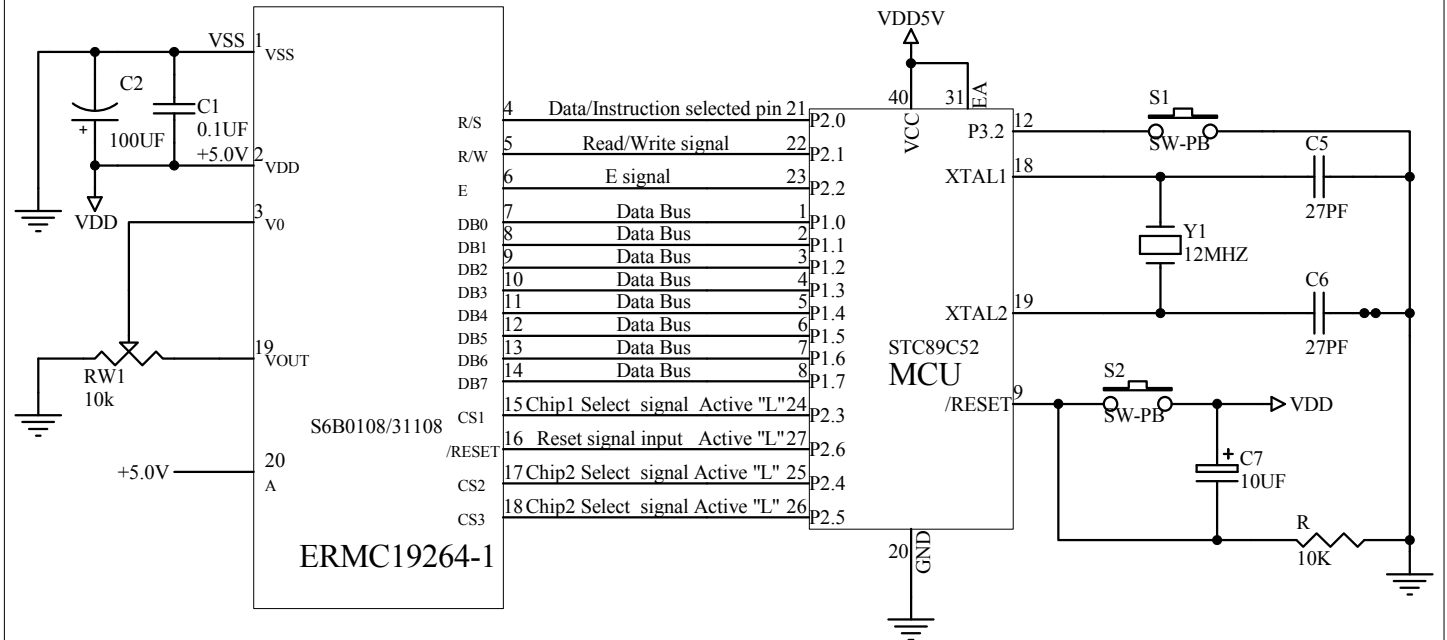
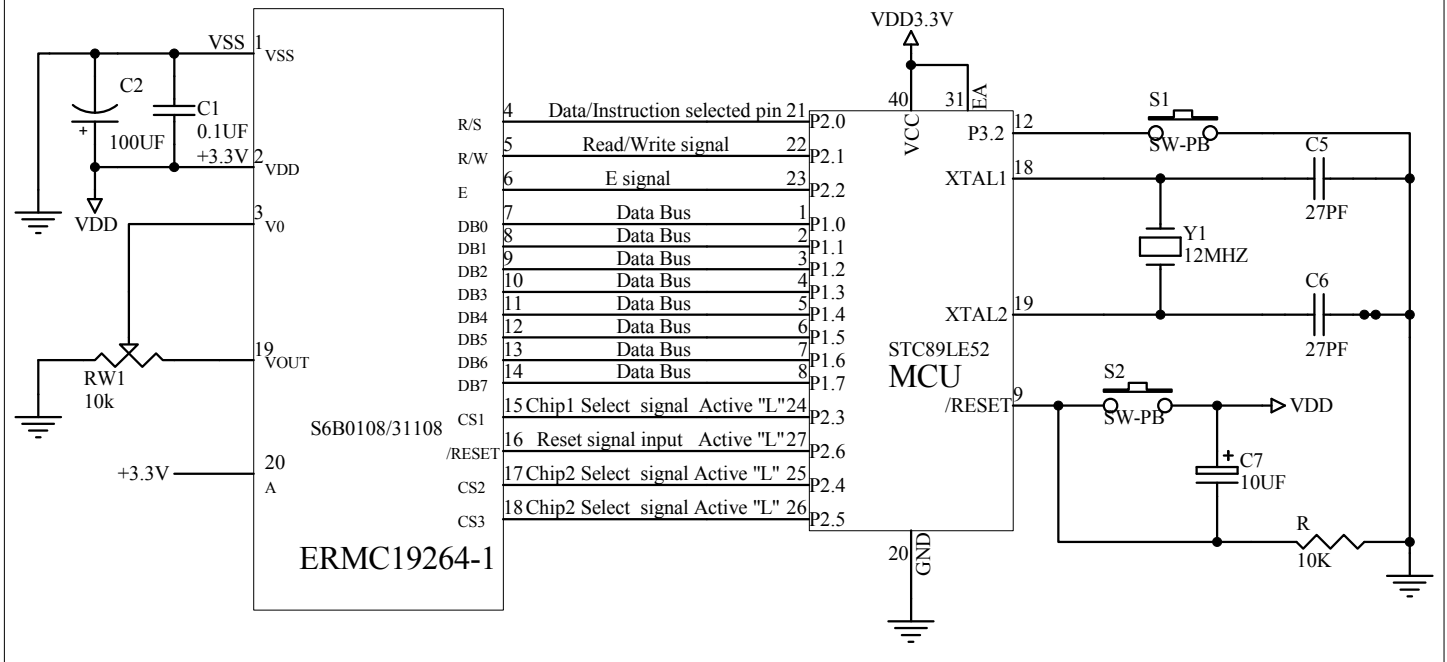


Interfacing ERMC19264-1 Series to the MCU STC89LE52

The 5V power supply, Parallel 8Bit(6800 Series MCU)Reference Example



The 3.3V power supply, Parallel 8Bit(6800 Series MCU)Reference Example



Title				EASTRISING TECHNOLOGY CO.,LTD.			
Size		Number		Revision			
A		ERMC19264-1		A0			
Date:				30-Dec-2020		Sheet of	
File						1	
				Drawn By		Javen	