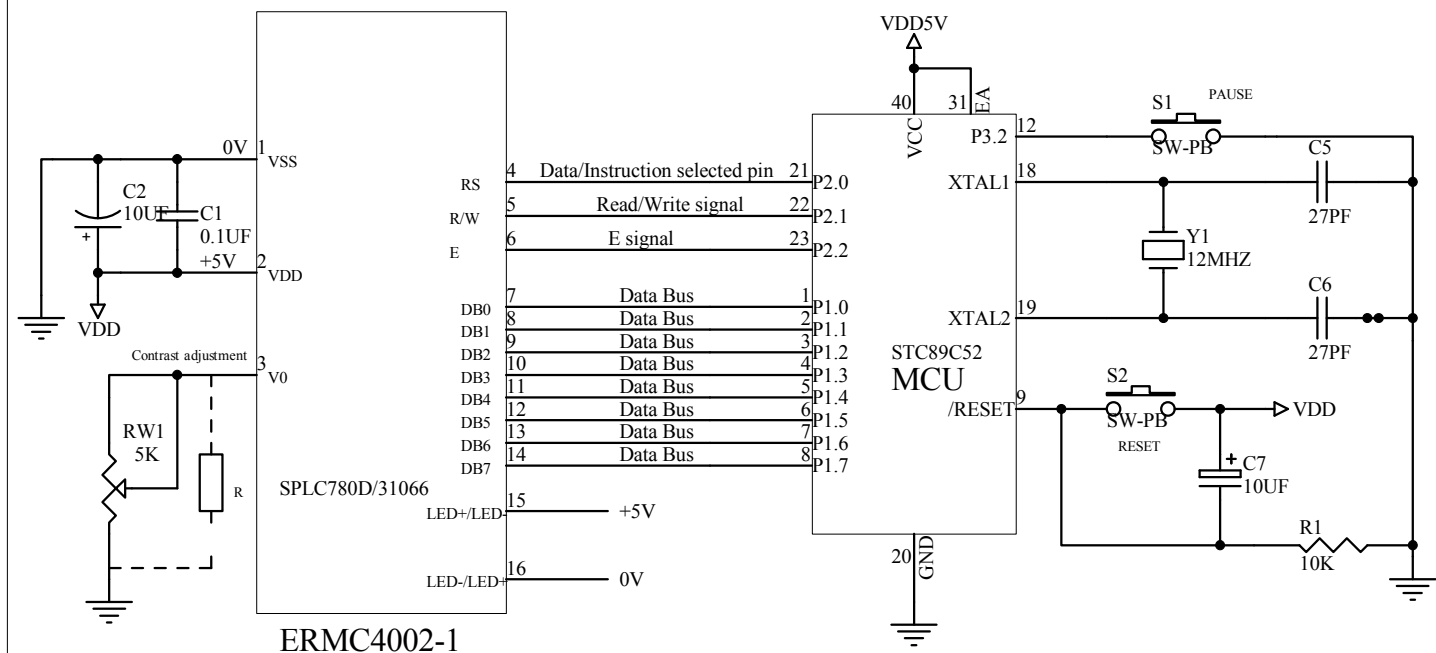
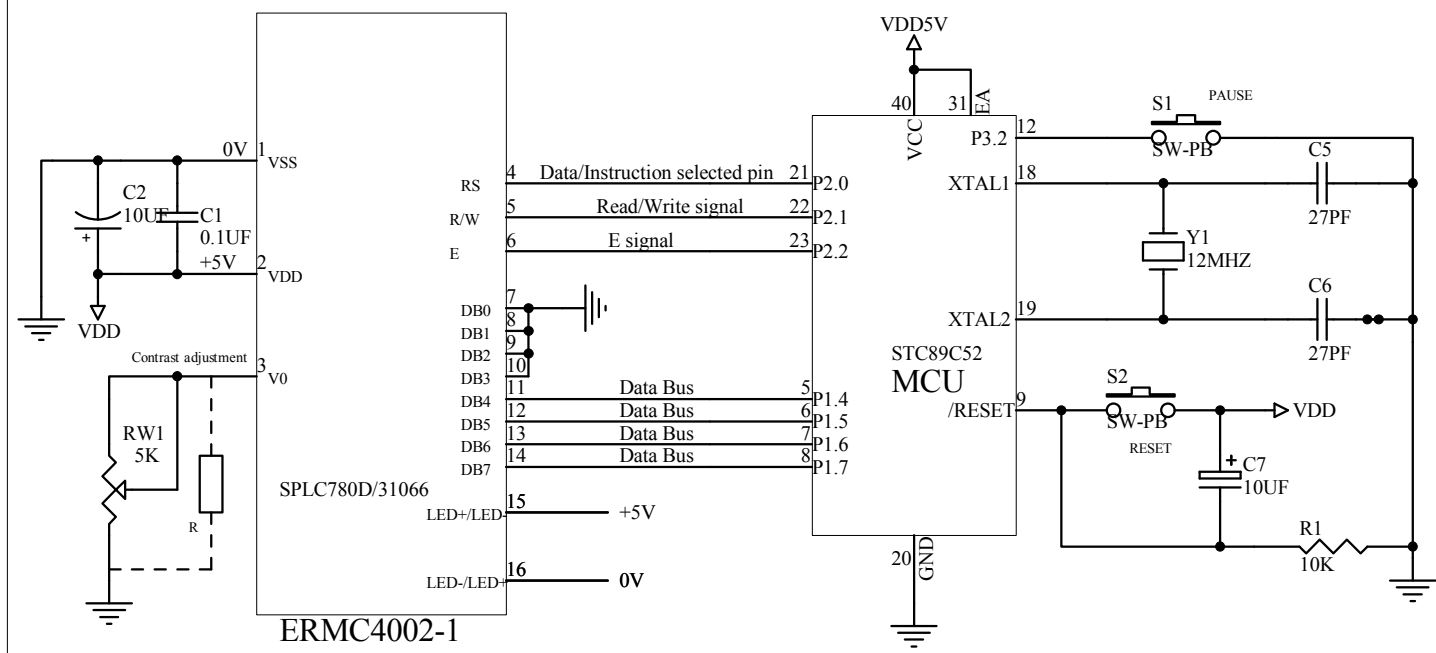


# Interfacing 5V Character LCD Module ERMC4002-1 Series to MCU STC89LE52

## The Parallel 8Bit(6800 Series MCU)Reference Example



## The Parallel 4Bit(6800 Series MCU)Reference Example

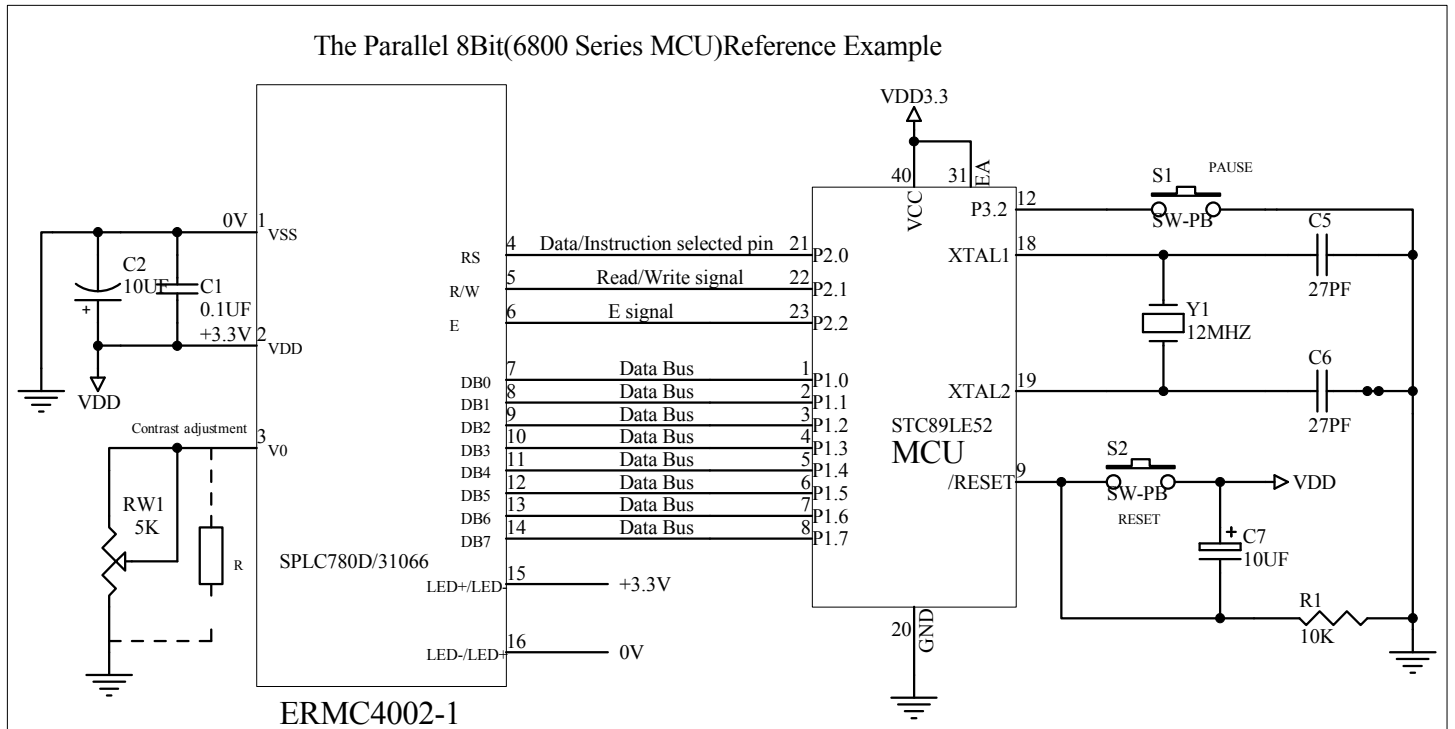


NOTE:When variable resistor RW1 is use,resistor R don't use

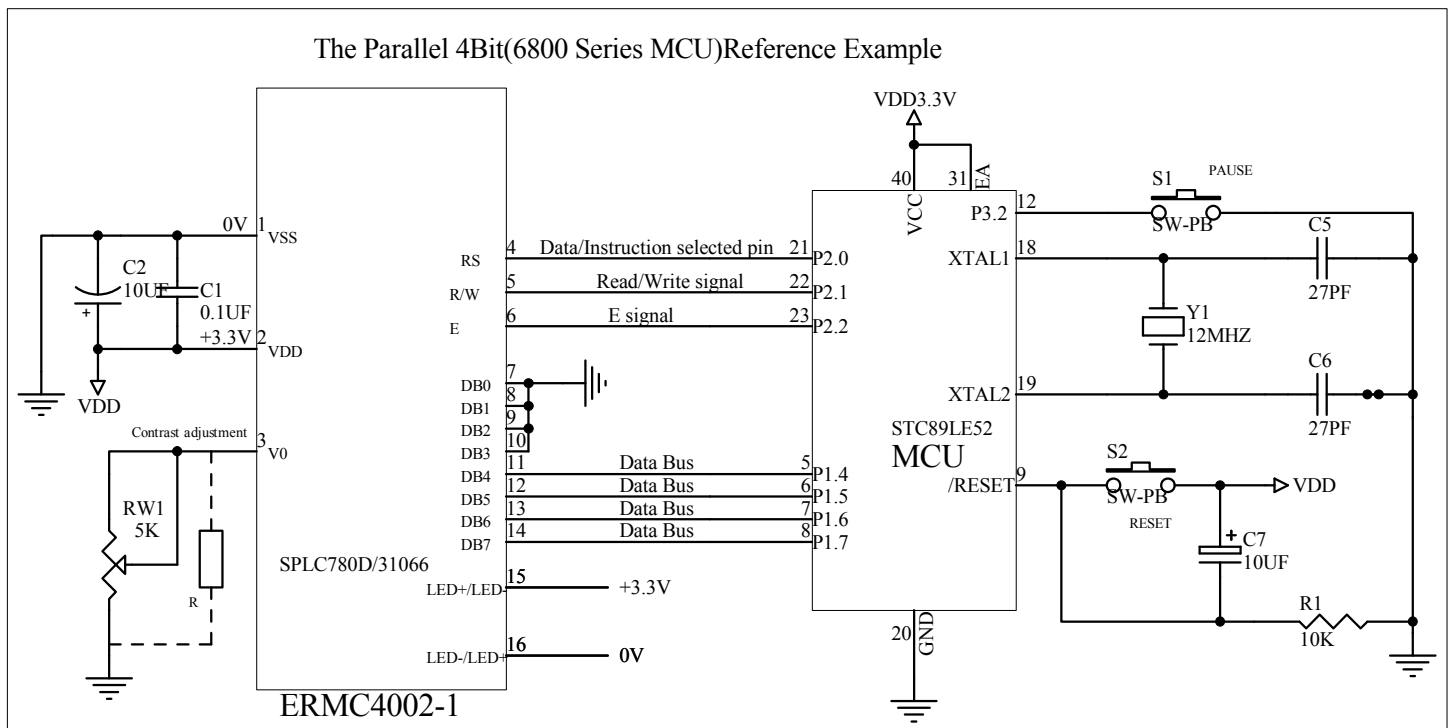
Title			<b>EASTRISING TECHNOLOGY CO.,LTD.</b>		
Size	Number	Revision			
A	ERMC4002-1	A0			
Date:	30-Dec-2020	Sheet of	1		
File		Drawn By	Jim		

# Interfacing 3.3V Character LCD Module ERMC4002-1 Series to MCU STC89LE52

## The Parallel 8Bit(6800 Series MCU)Reference Example



## The Parallel 4Bit(6800 Series MCU)Reference Example



NOTE:When variable resistor RW1 is use,resistor R don't use

Title <b>EASTRISING TECHNOLOGY CO.,LTD.</b>			
Size <b>A</b>	Number <b>ERMC4002-1</b>	Revision <b>A0</b>	
Date: <b>11-Dec-2020</b>	Sheet of <b>1</b>		Drawn By <b>Jim</b>