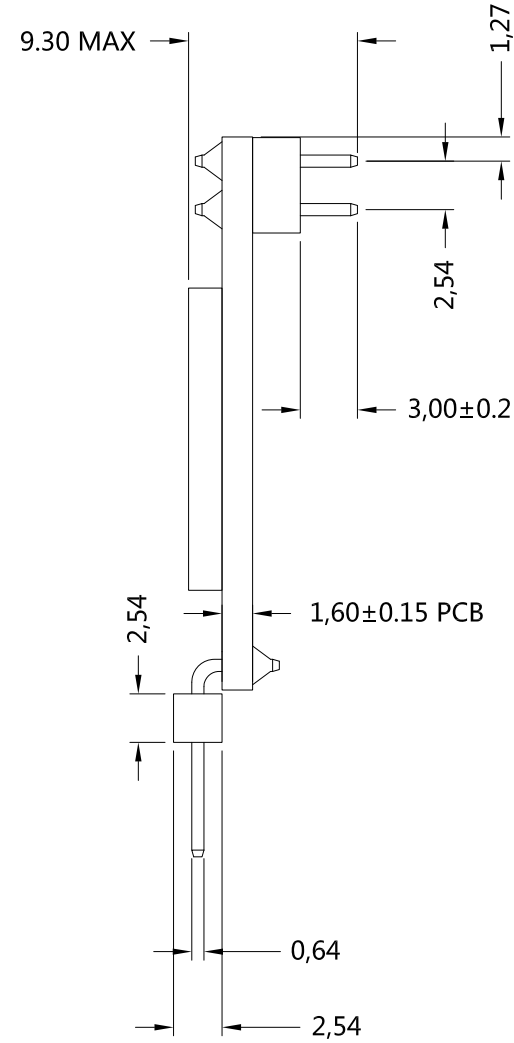
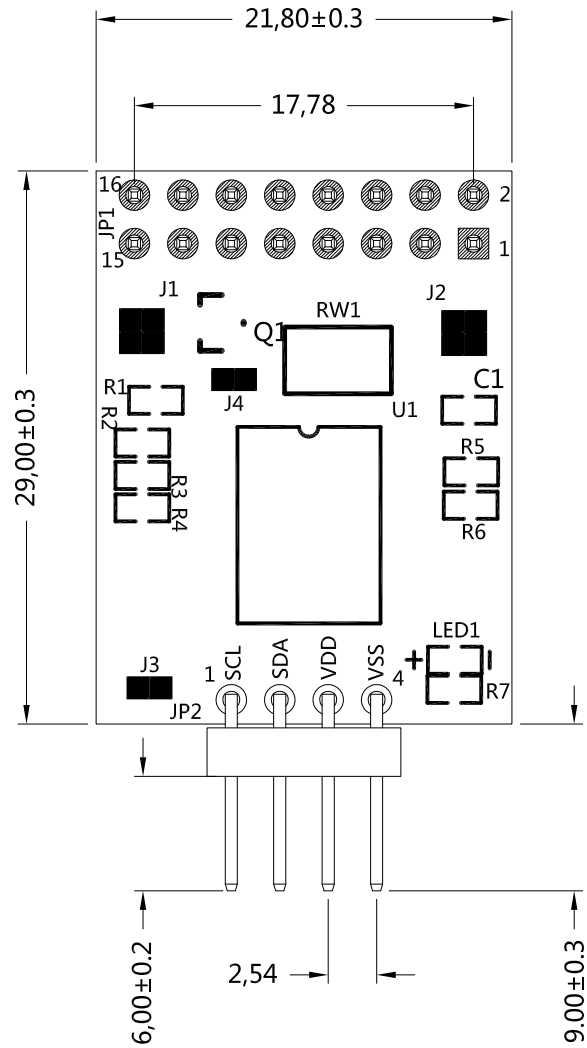


REV	DESCRIPTION	DESIGN	DATE
A	1'ST DEGIN	JAVEN	Jul-17-2019

Double Row I2C Adapter Board



JP1
(Connect to Character Display)

PIN NO.	SIGNAL
1	VSS
2	VDD
3	V0
4	RS
5	R/W
6	E
7	DB0
8	DB1
9	DB2
10	DB3
11	DB4
12	DB5
13	DB6
14	DB7
15	LEDA
16	LEDK

JP2
(Connect to Arduino Board)

PIN NO.	SIGNAL
1	SCL
2	SDA
3	VDD 5V
4	VSS



旭日东方科技有限公司
EASTRISING TECHNOLOGY CO.,LTD

Email: sales@buydisplay.com Web: www.buydisplay.com

APPROVALS	DATE	SKU Number: 5054		GENERAL TOL.	UNITS
APP				SCALE:	
CHK				N.T.S.	
DWN	JIM			Jul-17-2019	Not specified tolerances : 0.3mm