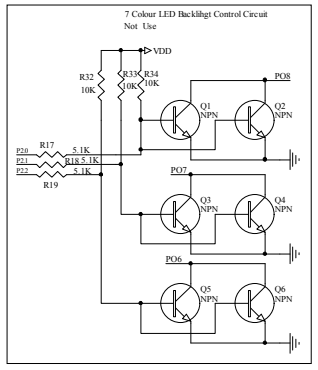
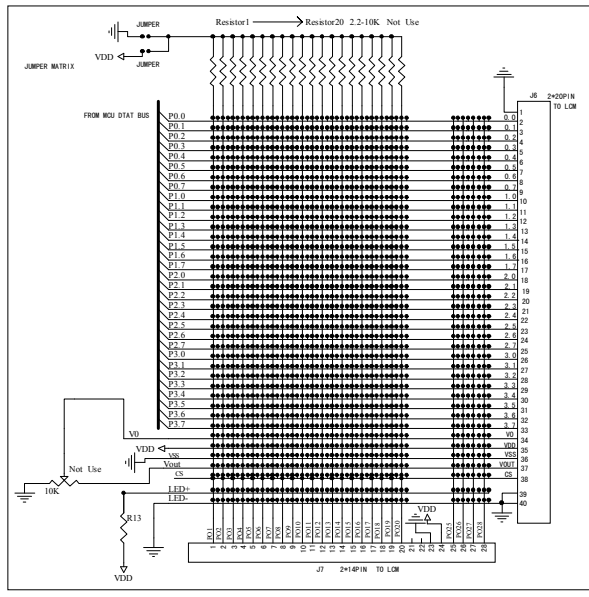
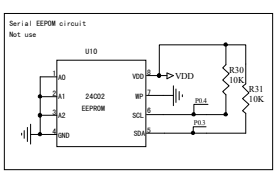
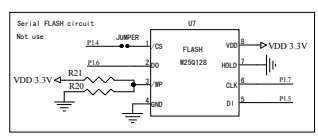
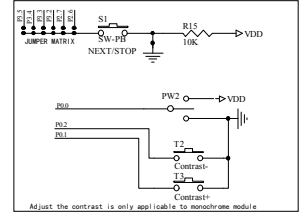
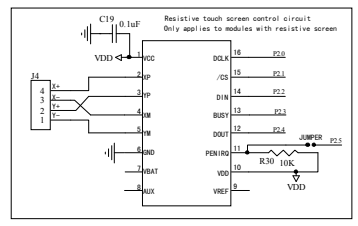
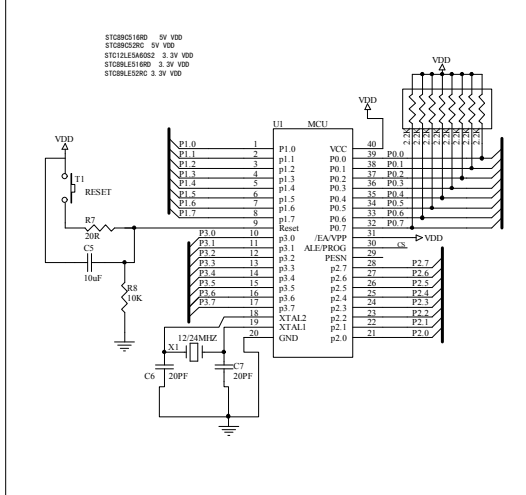
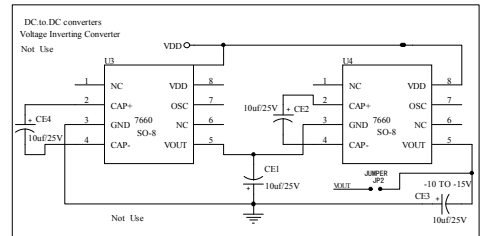
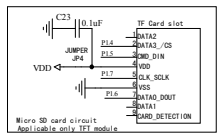
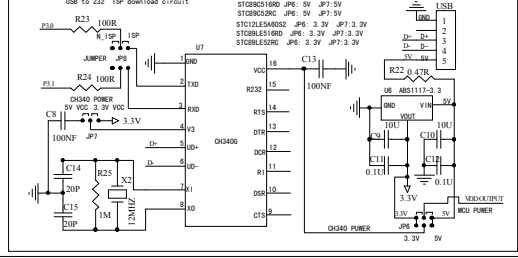
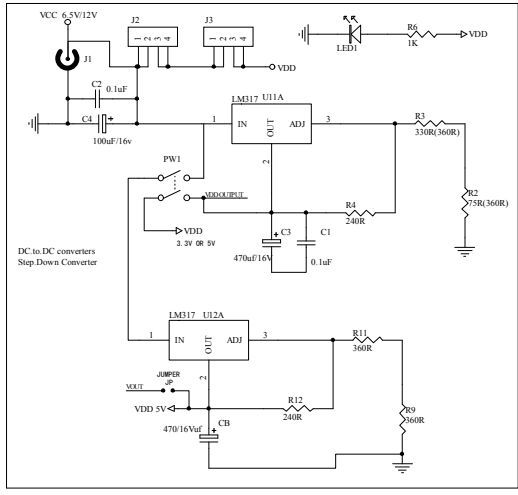


8051 Microcontroller Development Board Schematic

REV	DESCRIPTION OF MODIFY	MODIFY BY	DATE
A0	FST DESIGN	JJM	2015.01.14
A1	Changing ISP download circuit	JJM	2015.03.27
A2			



Title			
EASTRISING TECHNOLOGY CO.,LTD.			
Size	Number	Revision	A0
C			1
Date:	27-Mar-2015	Sheet of	1/1
		Drawn By:	