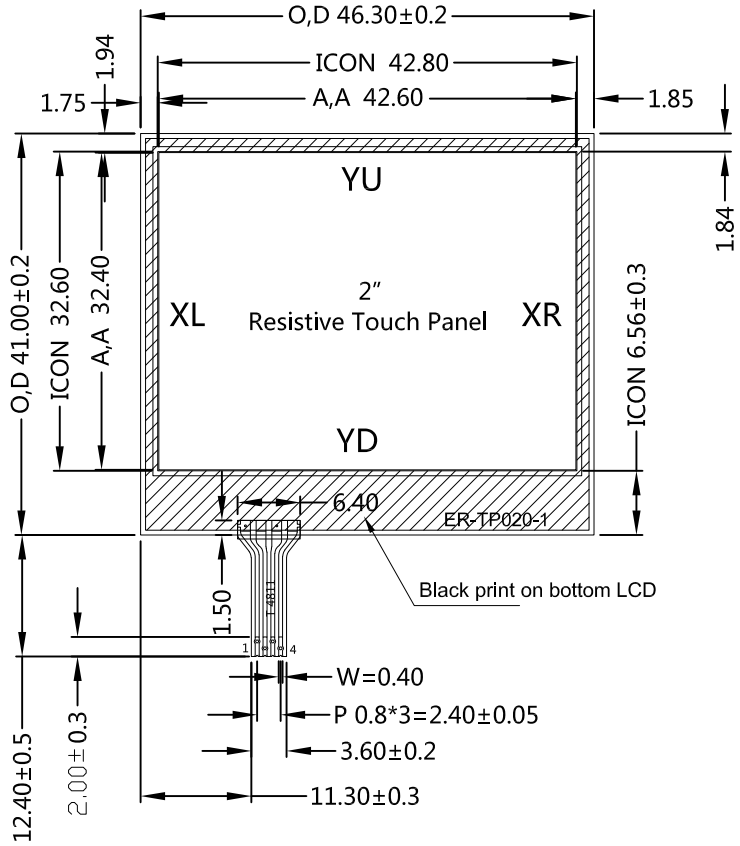
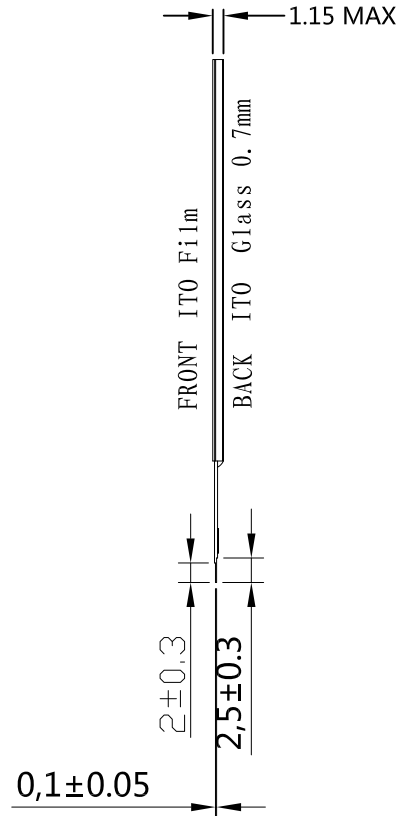


REV.	DESCRIPTION OF MODIFY	MODIFY BY	DATE
1.0	1'ST DESIGN	JIM	May-25-2019

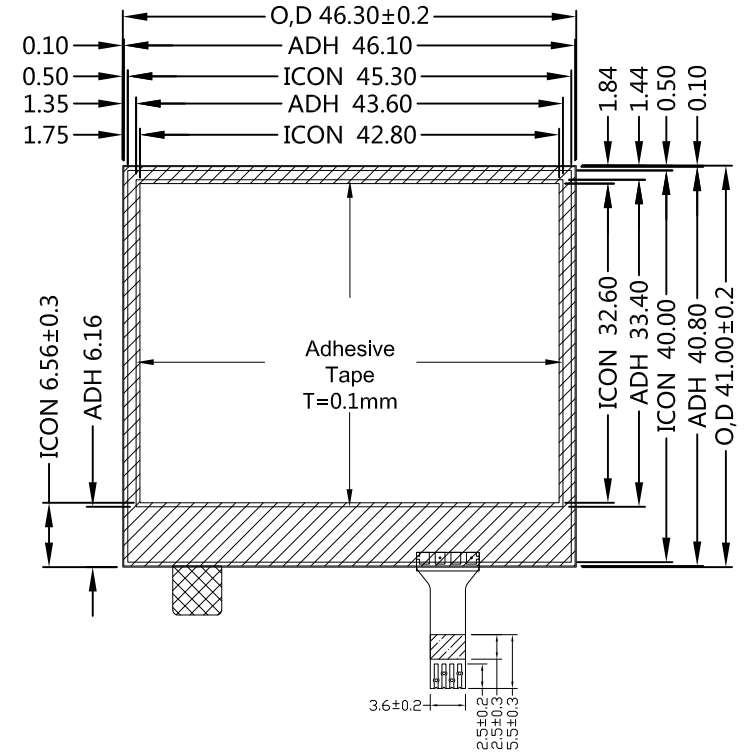
Top View



Side View

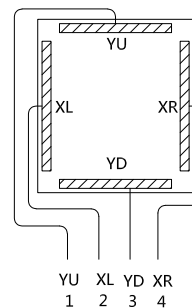
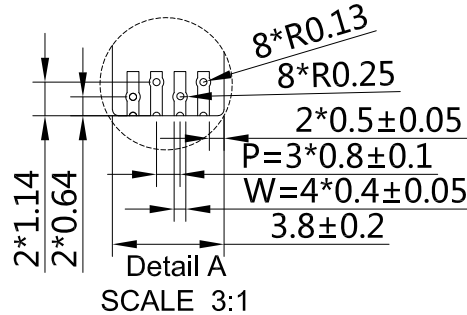


Bottom View



Notes:

1. Type: Film to Glass
2. Operating Voltage: ≤10V
3. operation Temperature: -10°C ~ 60°C
Storage Temperature: -20°C ~ 70°C
4. Life Time: ≥1,000,000 times
5. Connect Material: FPC
6. Response Time: ≤10ms
7. Linearity: ≤1.5%
8. Transmittance: 80%±3
9. Surface Hardness 3H(Pencil)
10. operation force: 20g ~ 120g
11. Resistance:
(Clear hard ITO Film) x: 400-800
(Stand ard ITO Glass) y: 200-500
12. Unspecified Tolerance: ±0.20
13. OD=Outline Dimension
14. AA=Active Area



PIN	WIRING
1	YU
2	XL
3	YD
4	XR

 旭日东方科技有限公司 EASTRISING TECHNOLOGY CO.,LTD		Email: sales@buydisplay.com	
Web: www.buydisplay.com		Email: sales@buydisplay.com	
APPROVALS	DATE	MODEL NUMBER :	GENERAL TOL. UNITS MM
APP		ER-TP020-1	SCALE: N.T.S.
CHK			SHEET: 1
DWN	JIM May-25-19	DO NOT SCALE THIS DRAWING.	PROJECTION