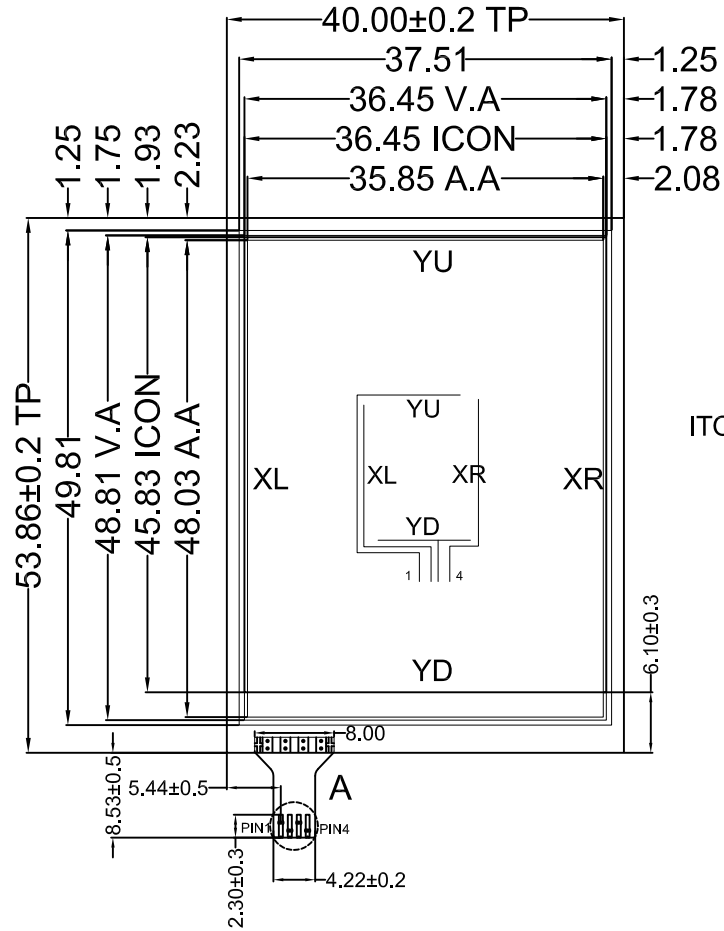
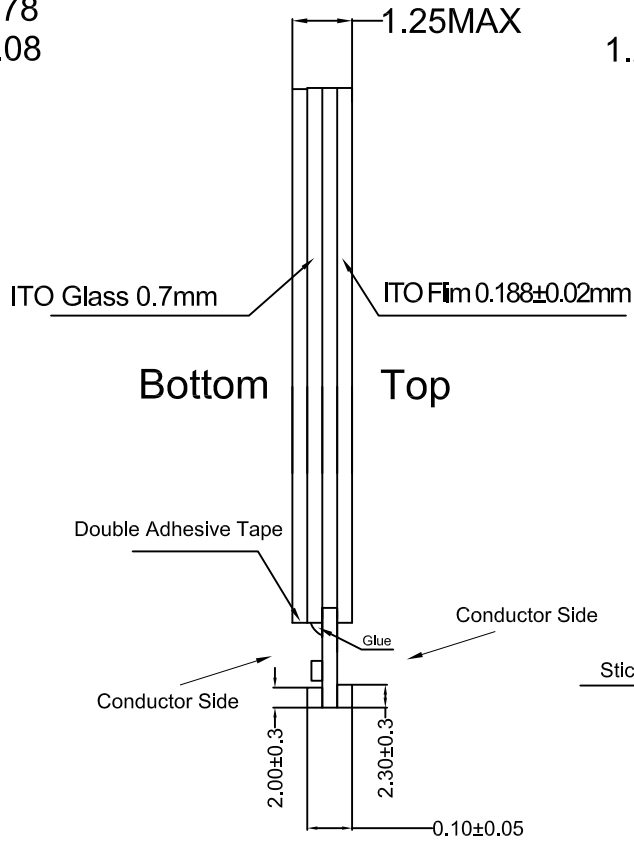


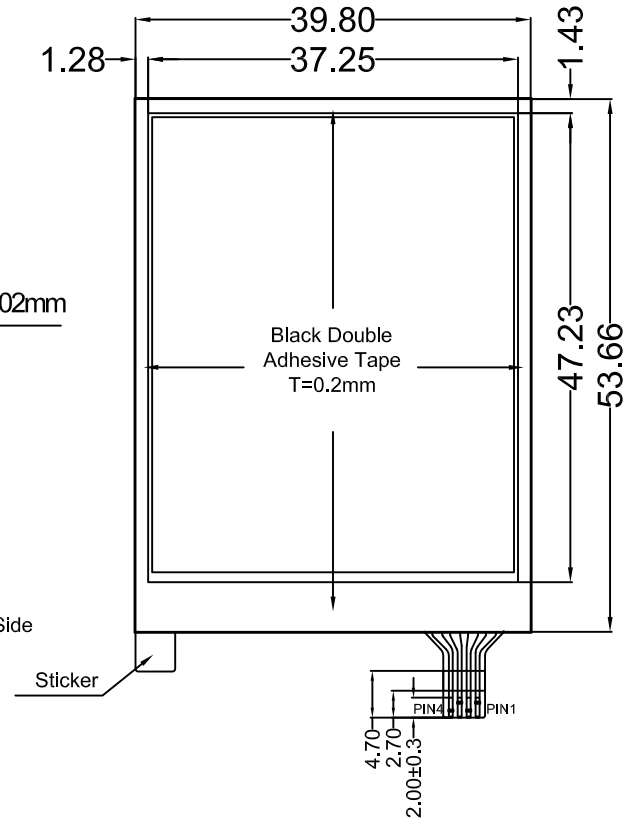
MARK	HISTORY	DATE	NAME
1	Preliminary Release	Jan-09-2015	姚广平



Top View



Side View

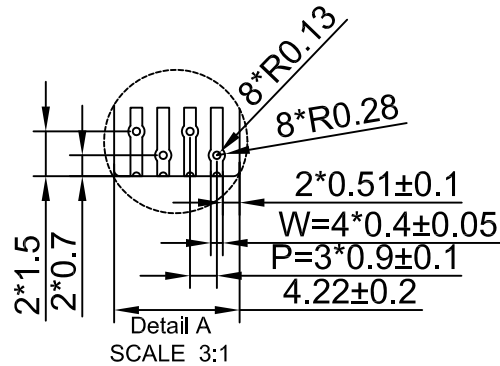


Bottom View

Notes:

- Type: Film to Glass
- Operating Voltage: $\leq 10V$
- operation Temperature: $-10^{\circ}C \sim 60^{\circ}C$
Storage Temperature: $-20^{\circ}C \sim 70^{\circ}C$
- Life Time: $\geq 1,000,000$ times
- Connect Material: FPC
- Response Time: $\leq 10ms$
- Linearity: $\leq 1.5\%$
- Transmittance: $\geq 80\%$
- Surface Hardness $\geq 3H$ (Pencil)
- operation force: $80g \sim 120g$
- Resistance:
(Clear hard ITO Film): $150\Omega \sim 500\Omega$
(Stand ard ITO Glass): $350\Omega \sim 850\Omega$
- Unspecified Tolerance: ± 0.20

NO.	SYMBOL
1	YU
2	XL
3	YD
4	XR



<p>EastRising buydisplay.com</p>	<p>EastRising Technology Co.,Ltd 旭日东方科技有限公司</p>		<p>29 CD</p>
	<p>UNIT: MM SIZE: A4</p>		<p>SHEET: 1 OF 1</p>
	<p>PART NUMBER: ER-TP022-1</p>		<p>REV: A0</p>
<p>DPAWN BY :JIM</p>		<p>CHECKED BY :JAVEN APPROVED BY : TONY</p>	