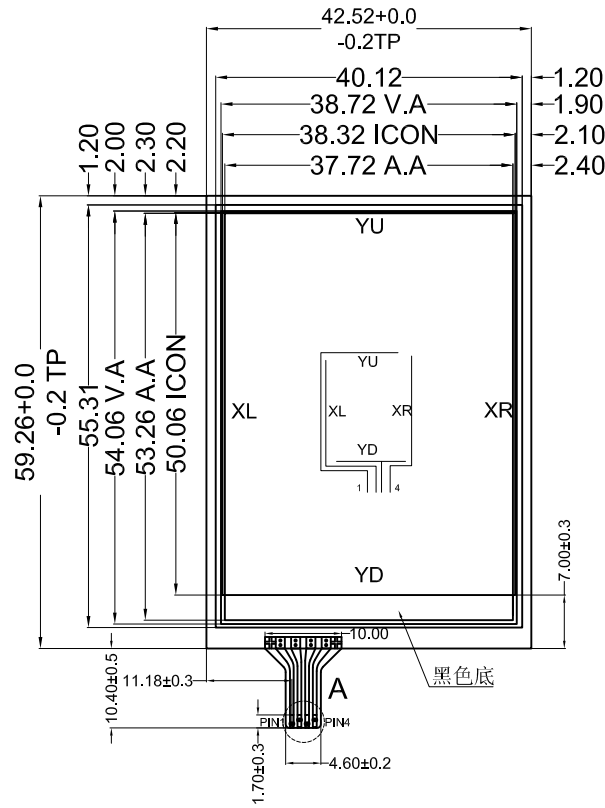
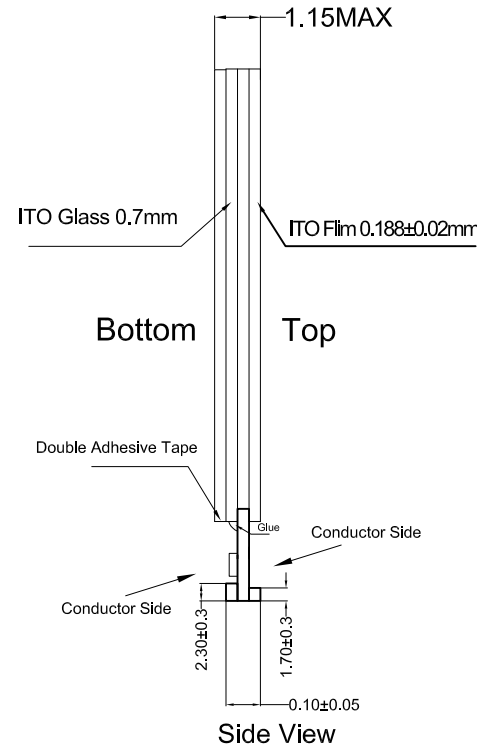


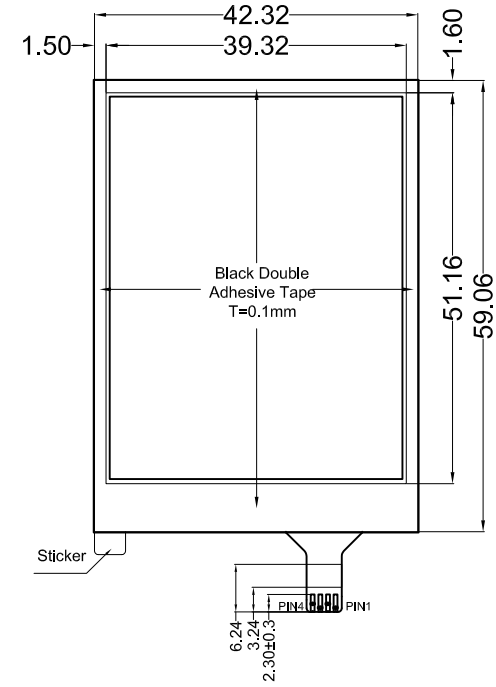
MARK	HISTORY	DATE	NAME
1	Preliminary Release	Jan-09-2015	姚广平



Top View



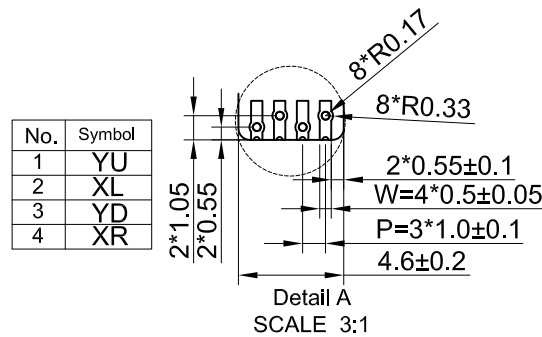
Side View



Bottom View

Notes:

- Type: Film to Glass
- Operating Voltage: ≤10V
- operation Temperature: -10℃~60℃
Storage Temperature: -20℃~70℃
- Life Time: ≥1,000,000 times
- Connect Material: FPC
- Response Time: ≤10ms
- Linearity: ≤1.5%
- Transmittance: ≥80%
- Surface Hardness ≥3H(Pencil)
- operation force: 80g~120g
- Resistance:
(Clear hard ITO Film): 150Ω~500Ω
(Standard ITO Glass): 350Ω~850Ω
- Unspecified Tolerance: ±0.20



 EastRising buydisplay.com	EastRising Technology Co.,Ltd 旭日东方科技有限公司	 CD	
		UNIT: MM	SIZE: A4
		SHEET: 1 OF 1	
PART NUMBER: ER-TP024-3		REV: A0	
DRAWN BY :JIM	CHECKED BY :JAVEN	APPROVED BY : TONY	