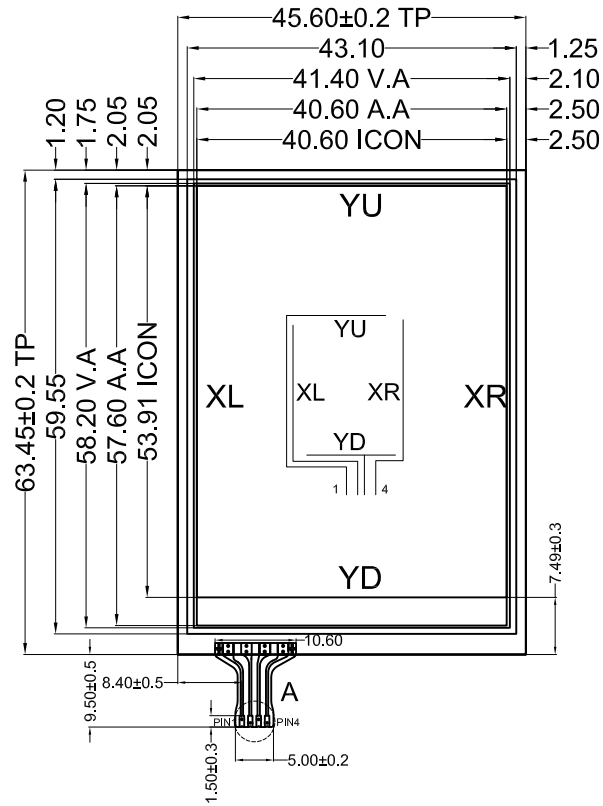
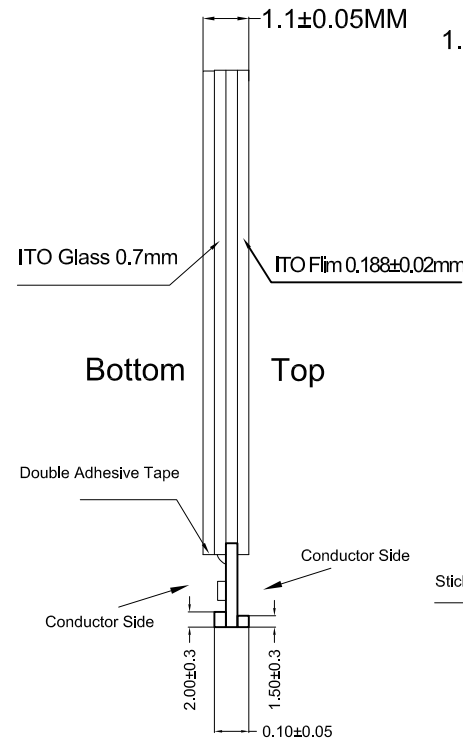


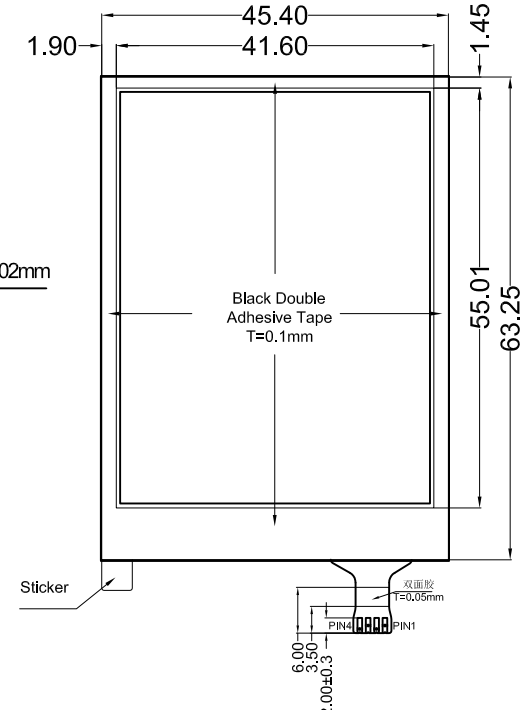
MARK	HISTORY	DATE	NAME
1	Preliminary Release	Jan-09-2015	姚广平



Top View



Side View

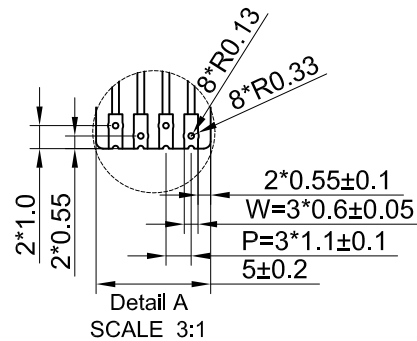


Bottom View

Notes:

1. Type: Film to Glass
2. Operating Voltage: $\leq 10V$
3. operation Temperature: $-10^{\circ}C \sim 60^{\circ}C$
Storage Temperature: $-20^{\circ}C \sim 70^{\circ}C$
4. Life Time: $\geq 1,000,000$ times
5. Connect Material: FPC
6. Response Time: $\leq 10ms$
7. Linearity: $\leq 1.5\%$
8. Transmittance: $\geq 80\%$
9. Surface Hardness $\geq 3H$ (Pencil)
10. operation force: $80g \sim 120g$
11. Resistance:
(Clear hard ITO Film) $x: 150\Omega \sim 500\Omega$
(Standard ITO Glass) $y: 350\Omega \sim 850\Omega$
12. Unspecified Tolerance: ± 0.20

NO.	SYMBOL
1	YU
2	XL
3	YD
4	XR



Detail A
SCALE 3:1

 EastRising buydisplay.com	EastRising Technology Co., Ltd 旭日东方科技有限公司		29 CD
		UNIT: MM	SIZE: A4
PART NUMBER: ER-TP026-1			REV: A0
DRAWN BY : JIM	CHECKED BY : JAVEN	APPROVED BY : TONY	