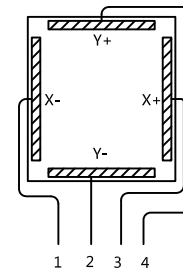
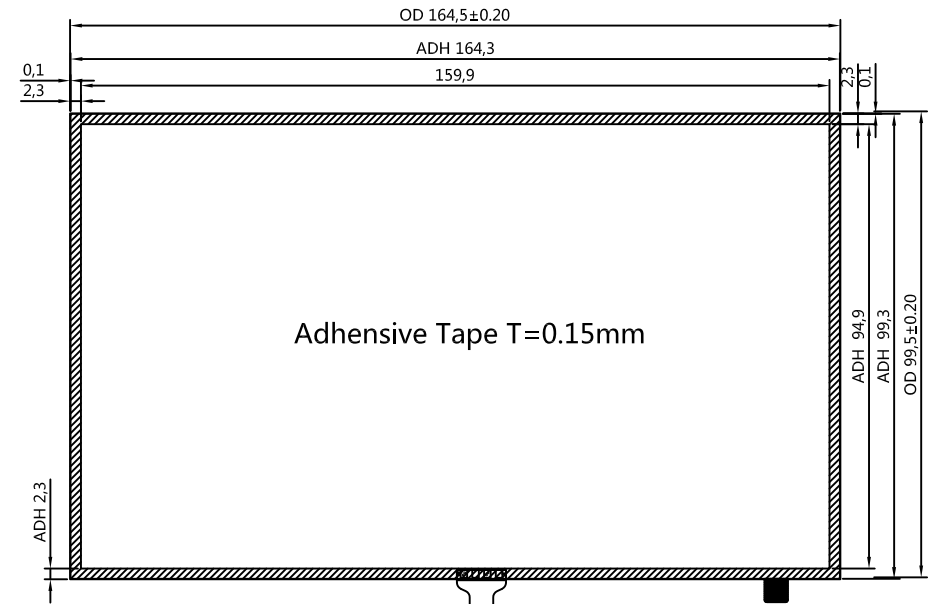
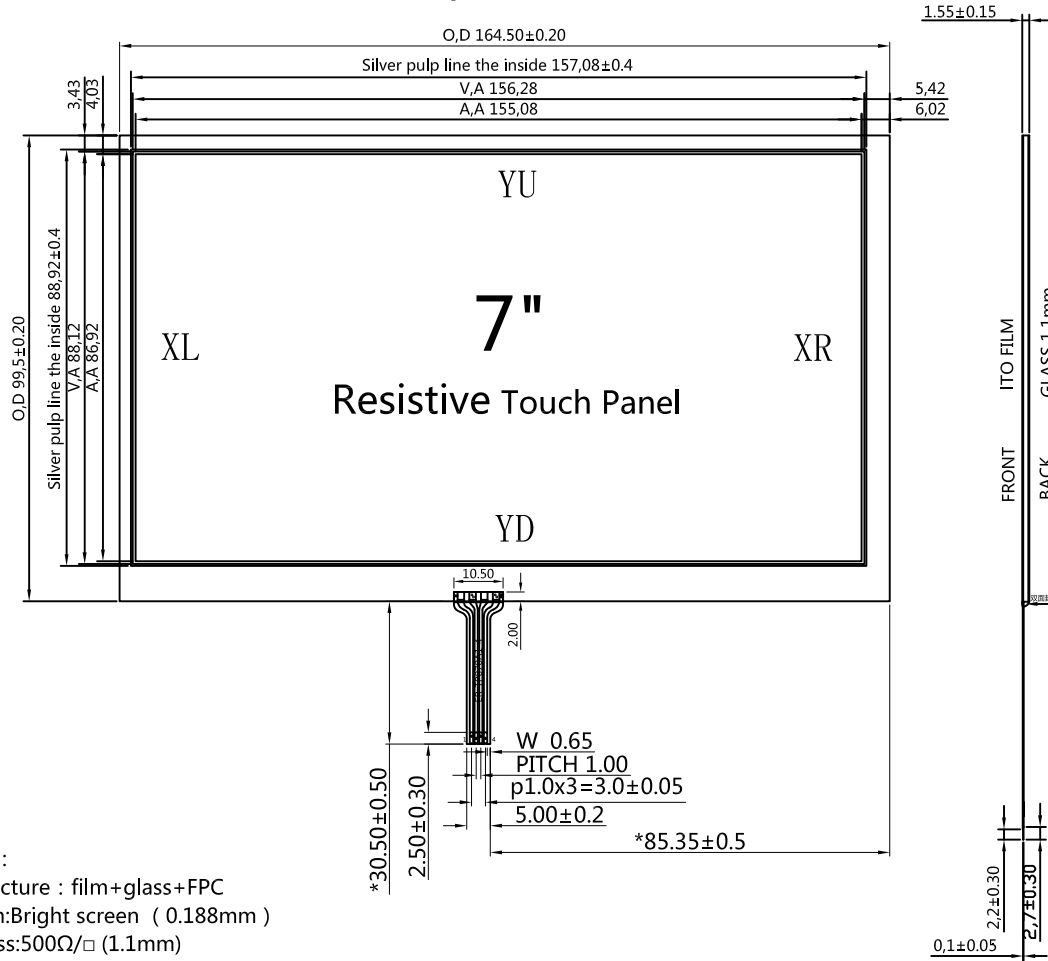


REV.	DESCRIPTION OF MODIFY	MODIFY BY	DATE
1.0	1'ST DESIGN	JIM	Dec-12-2016

Top View

Side View


Bottom View



Pin NO:	Assignment
1	XL
2	YD
3	XR
4	YU

Note :

- Structure : film+glass+FPC
 Film:Bright screen (0.188mm)
 Glass:500Ω/□ (1.1mm)
 Tail:FPC (pitch=1.0mm)
- Operating voltage : 3.0V
- Voltage : DC 3V 1mA
- Insulation resistance : ≥10MΩ(25V DC)
- Linearity : ≤1.5%
- Transmittance : ≥75%
- Operation force : 20-100g
- Life time : ≥1,000,000
- Operating temp : -10°C~+60°C , ≤90%RH
- Storage temp : -20°C~+70°C , ≤90%RH
- X:500-100Ω Y:160-350Ω
- Tolerance±0.20
- OD=Outline Dimension



深圳旭日东方科技有限公司

EASTRISING TECHNOLOGY CO.,LTD

Web: www.buydisplay.com

Email: sales@buydisplay.com

APPROVALS		DATE	MODEL NUMBER :	PROJECTION	GENERAL TOL.		UNITS
APP	CHK	DATE			VERSION	MM	
	JACK	Dec-12-2016	ER-TP070-2				A0
DWN	JIM	Dec-12-2016			SHEET:	1	