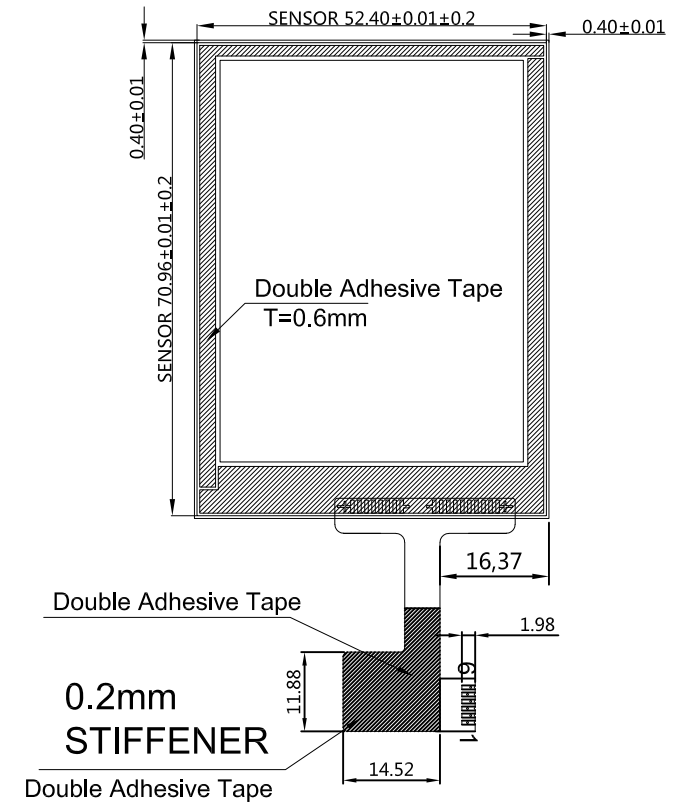
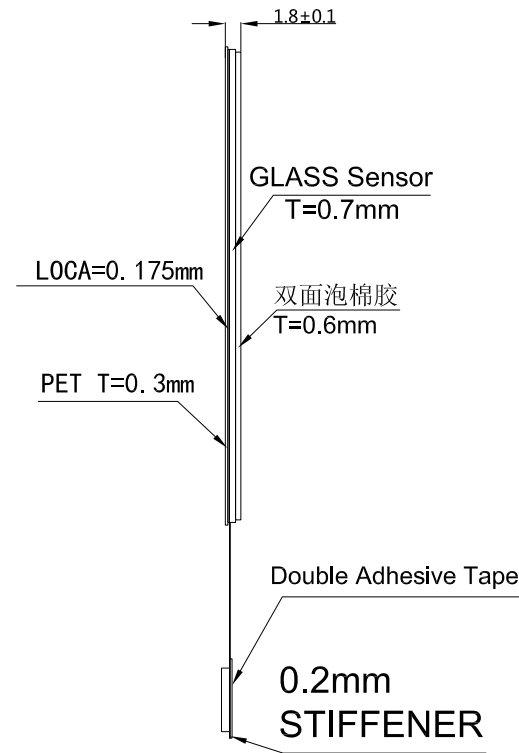
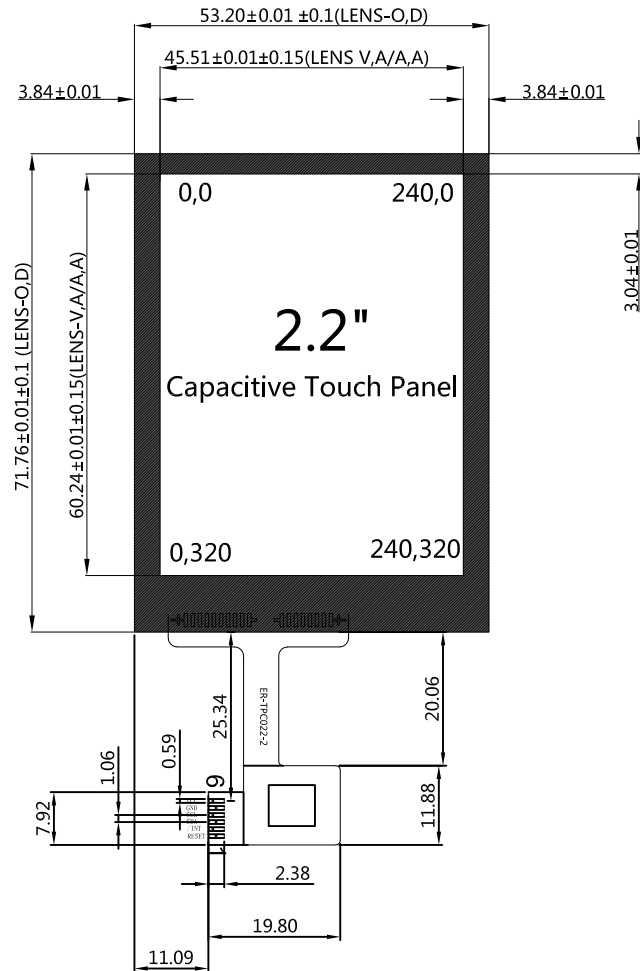


REV.	DESCRIPTION OF MODIFY	MODIFY BY	DATE
A0	1'ST,DESIGN	JIM	May-19-2020
A1			
A2			



NOTE:

- 1.TYPE:G+P
- 2.OPERATING VOLTAGE: 2.8-3.3V
- 3.TRANSMITTANCE: >= 87%
- 4.SURFACE HARDNESS:>=3H
- 5.OPERATING TEMP: -20 ~ +70°C
- 6.STORAGE TEMP: -30 ~ +80°C
- 7.TOLERANCE:±0.20
- 8.OD=Outline Dimension
- 9.VA=Visual Area
- 10.AA=Active Area

Pin Assignment FT6236U

PIN NO.	SIGNAL	DESCRIPTION
1	/RESET	Chip Reset
2	/INT	Interrupt Signal
3	SDA	I2C Data Line
4	SCL	I2C Clock Line
5	GND	Ground Connection
6	VDD	Supply Voltage



深圳旭日东方科技有限公司

EASTRISING TECHNOLOGY CO.,LTD

Web: www.buydisplay.com Email: sales@buydisplay.com

APPROVALS		DATE	MODEL NUMBER :	PROJECTION	GENERAL TOL. UNITS MM	
APP			ER-TPC022-2		VERSION	A0
CHK				SHEET:	1	
DWN	JIM	May-19-2020	SCALE 1:1			