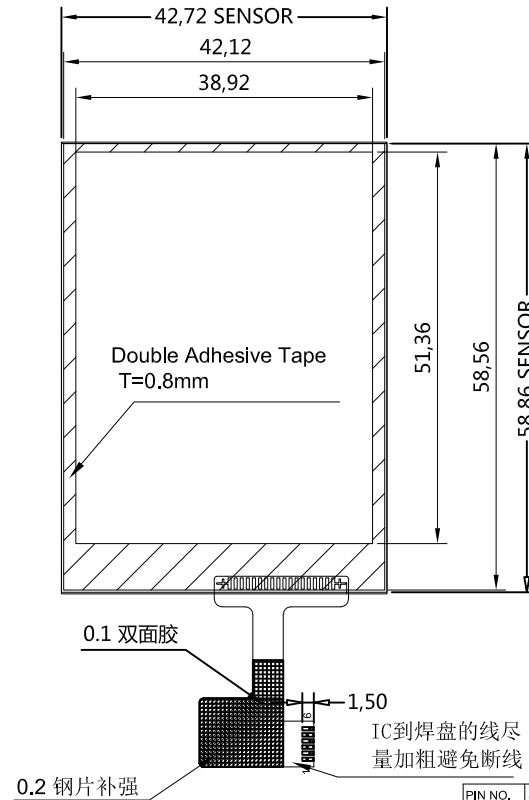
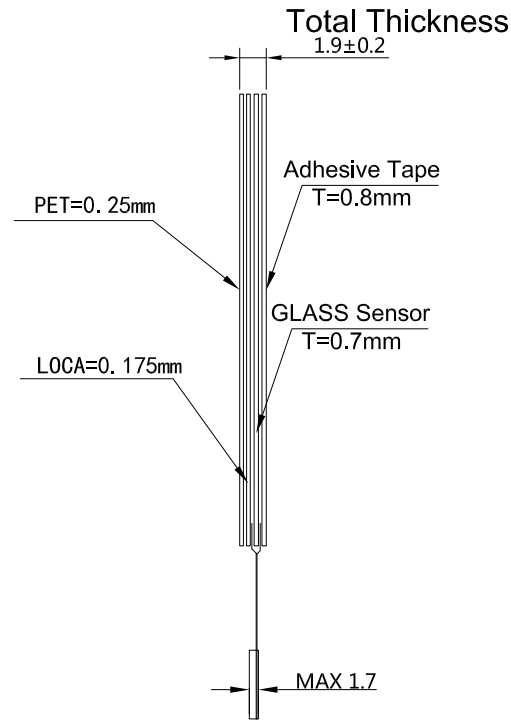
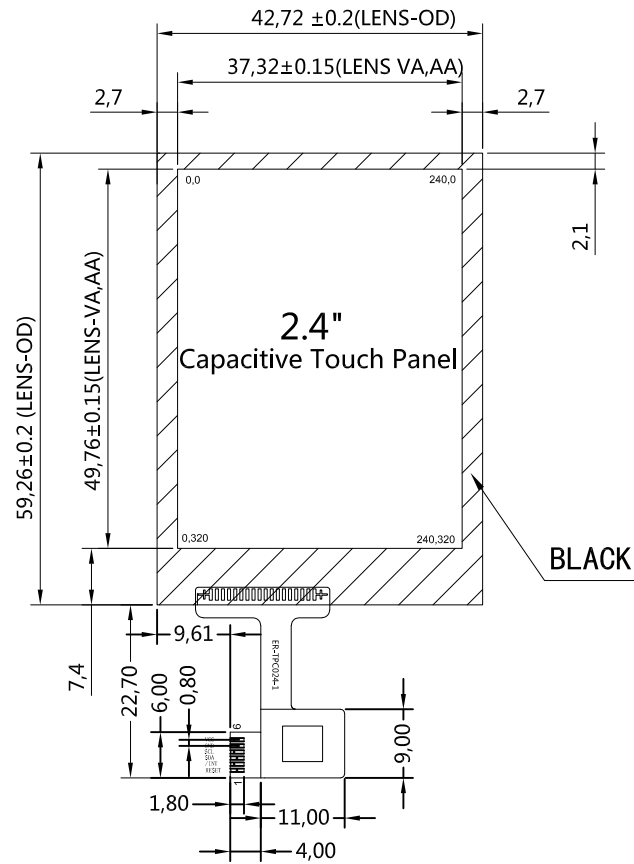


REV.	DESCRIPTION OF MODIFY	MODIFY BY	DATE
A0	1'ST,DESIGN	JIM	Dec-28-2021
A1			
A2			




Pin Assignment

PIN NO.	SIGNAL	DESCRIPTION
1	/RESET	Chip Reset
2	/INT	Interrupt Signal
3	SDA	I2C Data Line
4	SCL	I2C Clock Line
5	GND	Ground Connection
6	VDD	Supply Voltage

NOTE:

- 1.TYPE:P+G
- 2.OPERATING VOLTAGE: 2.8-3.3V
- 3.TRANSMITTANCE: >= 87%
- 4.SURFACE HARDNESS:>=3H
- 5.OPERATING TEMP: -20 ~ +70°C
- 6.STORAGE TEMP: -30 ~ +80°C
- 7.TOLERANCE:±0.20



旭日东方科技有限公司

EASTRISING TECHNOLOGY CO.,LTD

Web: www.buydisplay.com Email: sales@buydisplay.com

APPROVALS		DATE	MODEL NUMBER :	PROJECTION	GENERAL TOL.		UNITS
APP	CHK	DWN			SCALE:	N.T.S.	
	JIM	Dec-28-21	ER-TPC024-1	DO NOT SCALE THIS DRAWING.	SCALE:		
					SHEET:	1	