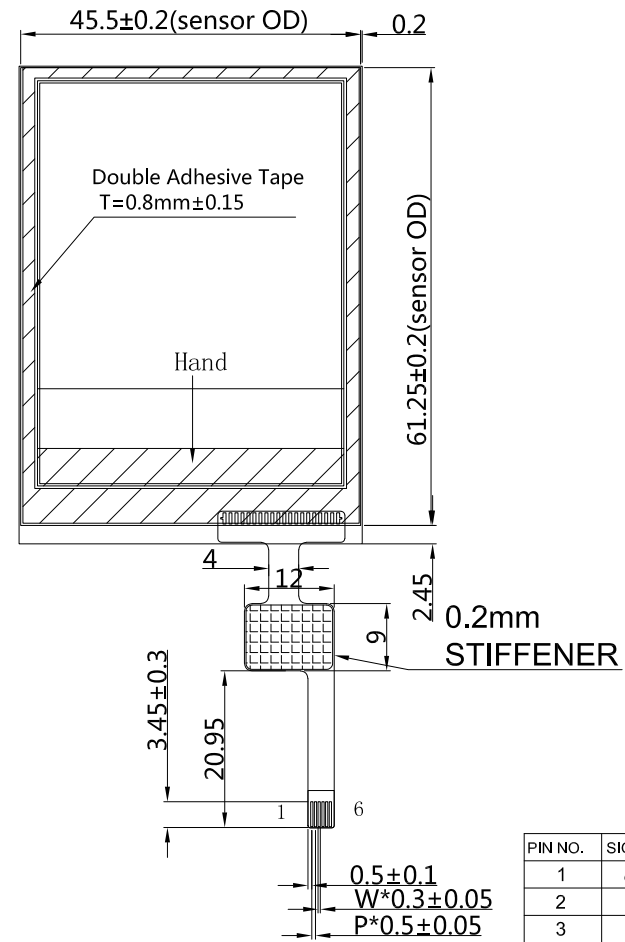
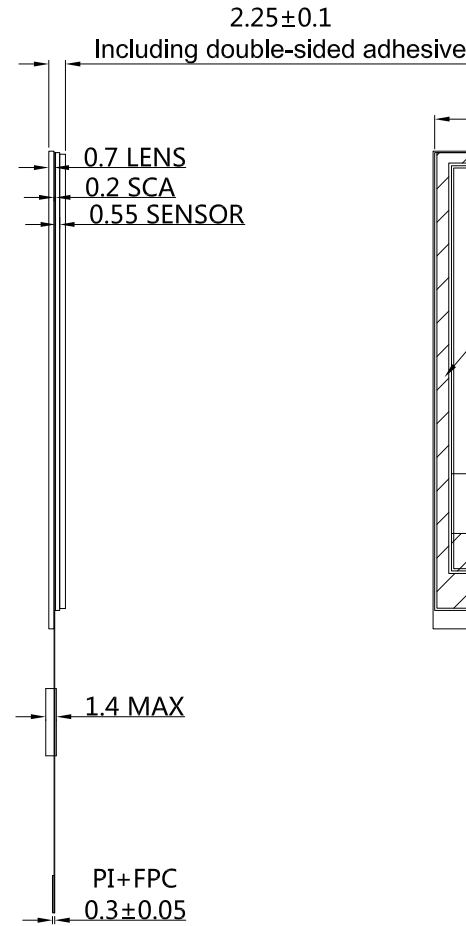
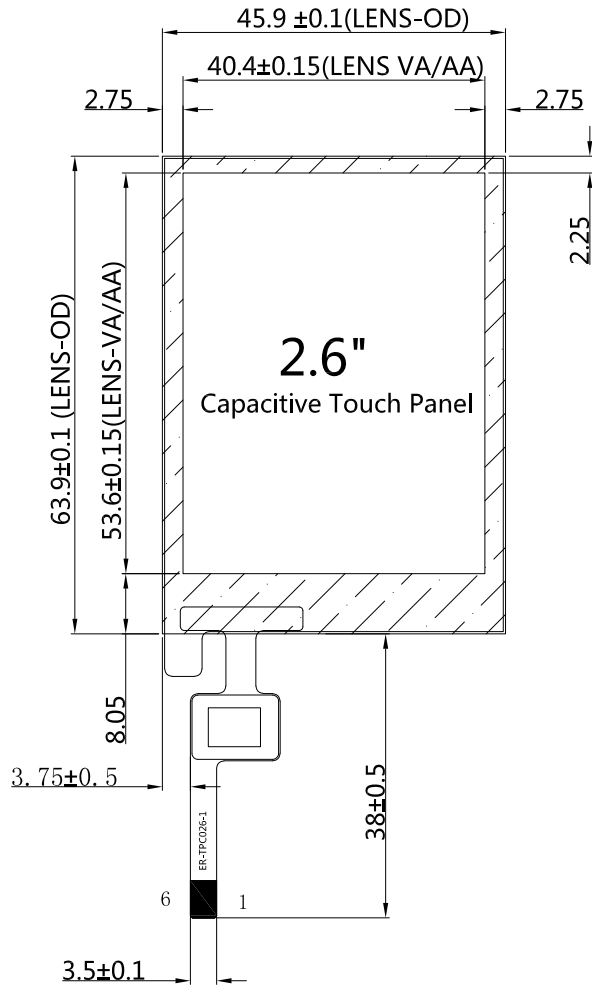


REV.	DESCRIPTION OF MODIFY	MODIFY BY	DATE
A0	1'ST,DESIGN	JIM	Oct-09-2021
A1			
A2			



PIN NO.	SIGNAL	DESCRIPTION
1	GND	Ground Connection
2	SDA	I2C Data Line
3	SCL	I2C Clock Line
4	/RESET	Chip Reset
5	/INT	Interrupt Signal
6	VDD	Supply Voltage

NOTE:

- 1.TYPE:G+G IC FT6336U
- 2.OPERATING VOLTAGE: 2.8-3.3V
- 3.TRANSMITTANCE: >= 87%
- 4.SURFACE HARDNESS: =6H
- 5.OPERATING TEMP: -20 ~ +70°C
- 6.STORAGE TEMP: -30 ~ +80°C
- 7.TOLERANCE: ±0.20

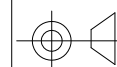


旭日东方科技有限公司
EASTRISING TECHNOLOGY CO.,LTD

Web: www.buydisplay.com

Email: sales@buydisplay.com

APPROVALS	DATE	MODEL NUMBER :	GENERAL TOL.	UNITS
APP		ER-TPC026-1	SCALE:	MM
CHK			N.T.S.	
DWN	JIM	Oct-09-21	SHEET:	1



PROJECTION

DO NOT SCALE THIS DRAWING.